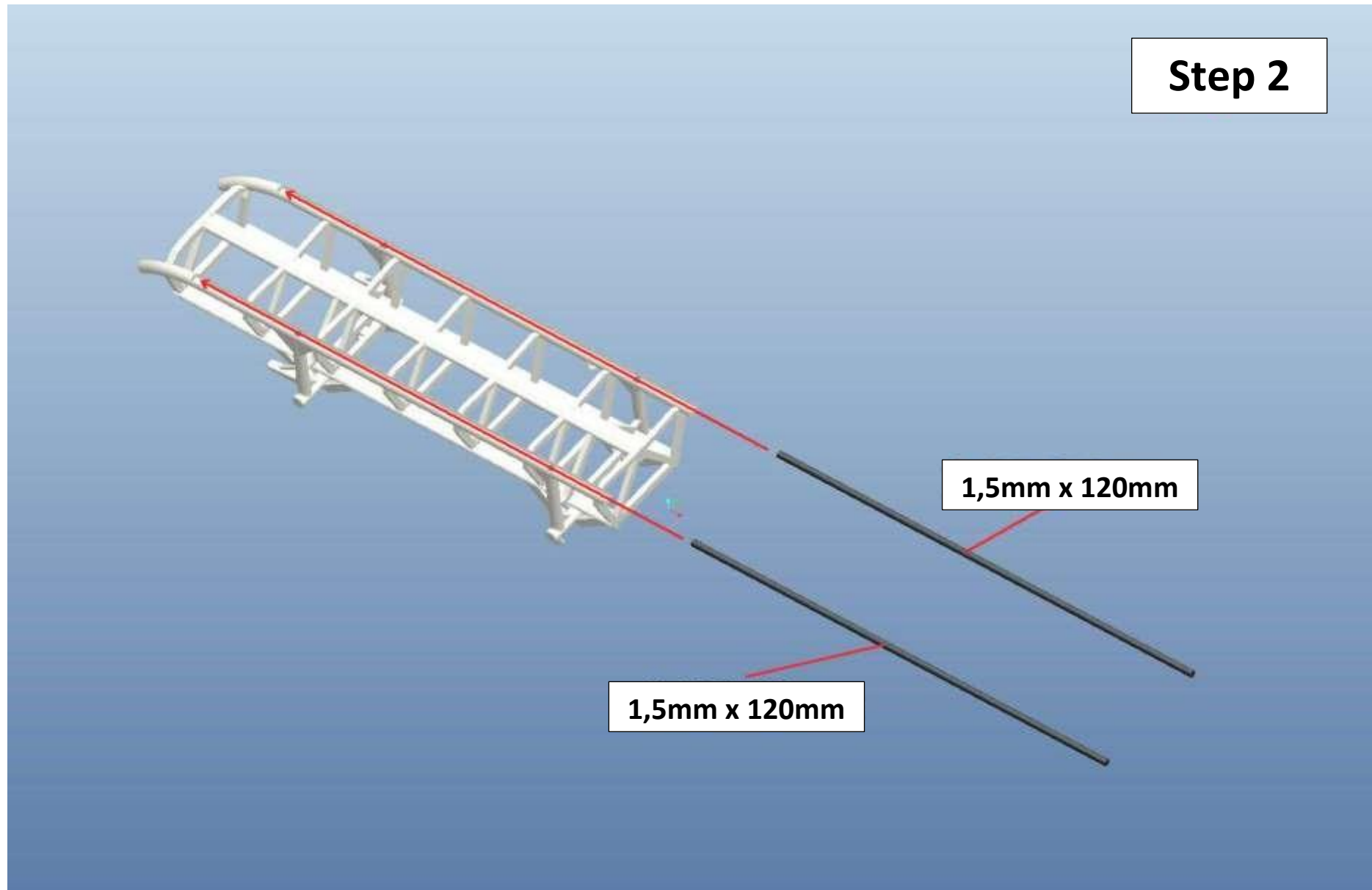
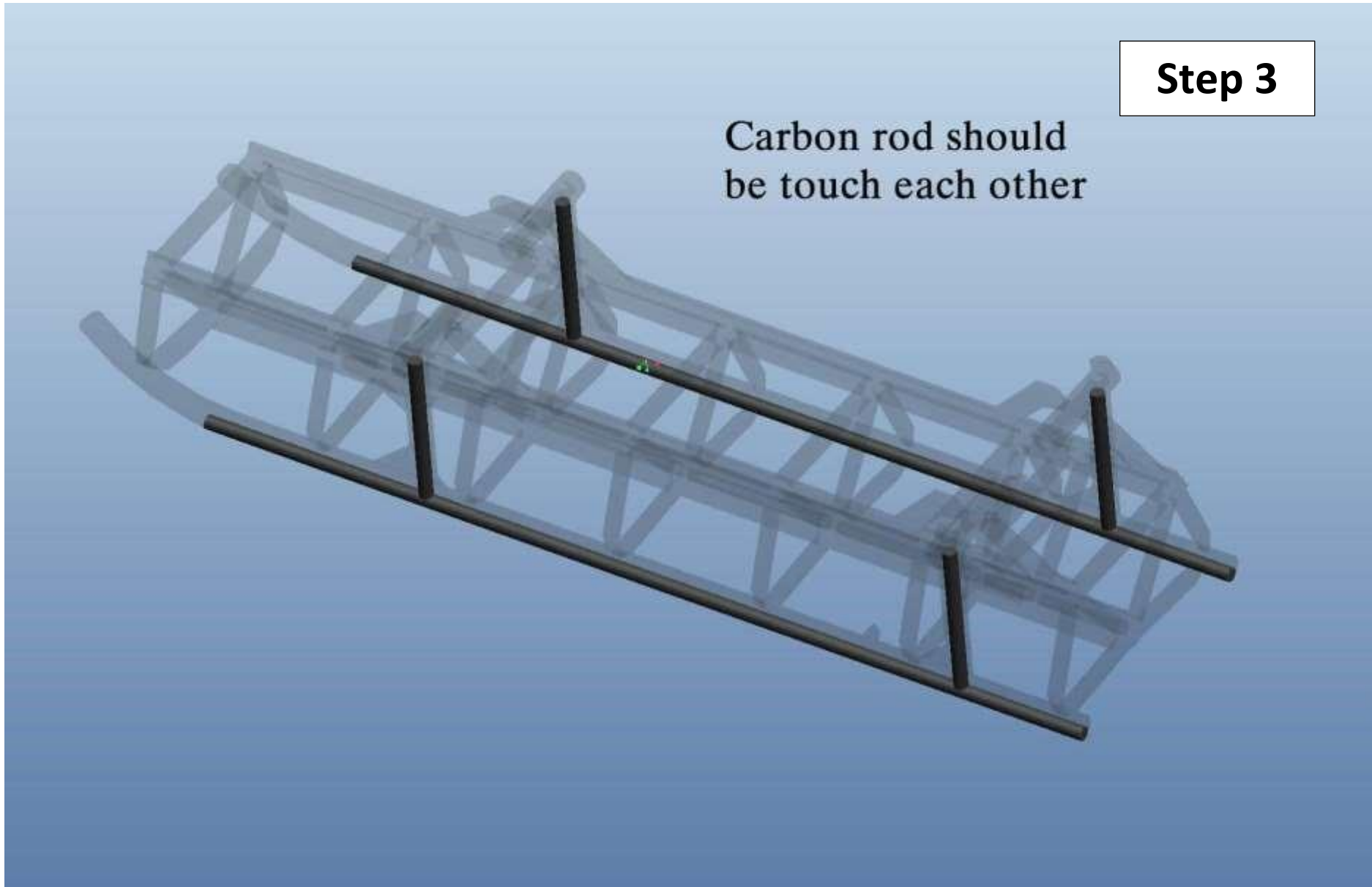


Step 2

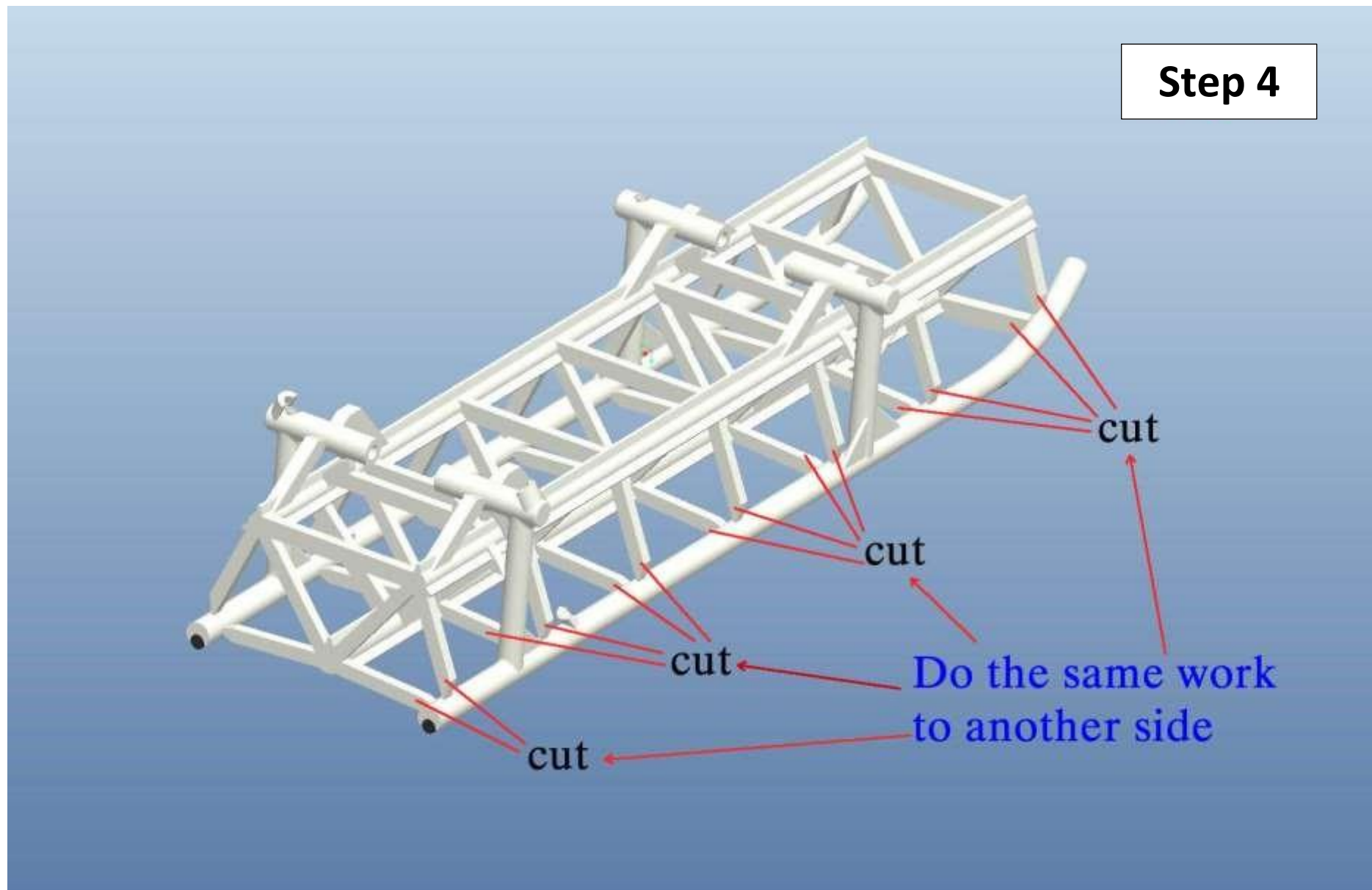


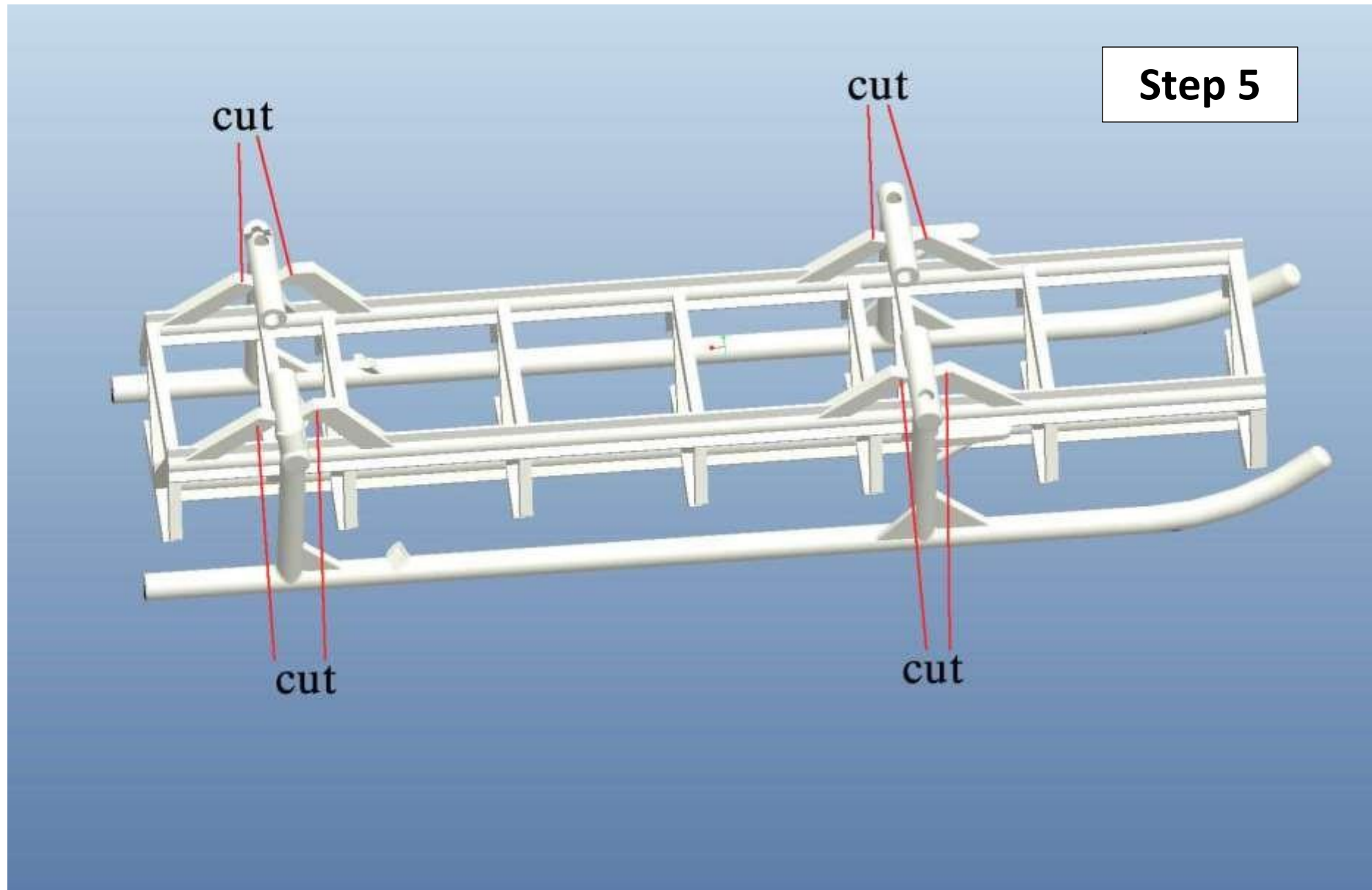
Step 3

Carbon rod should
be touch each other

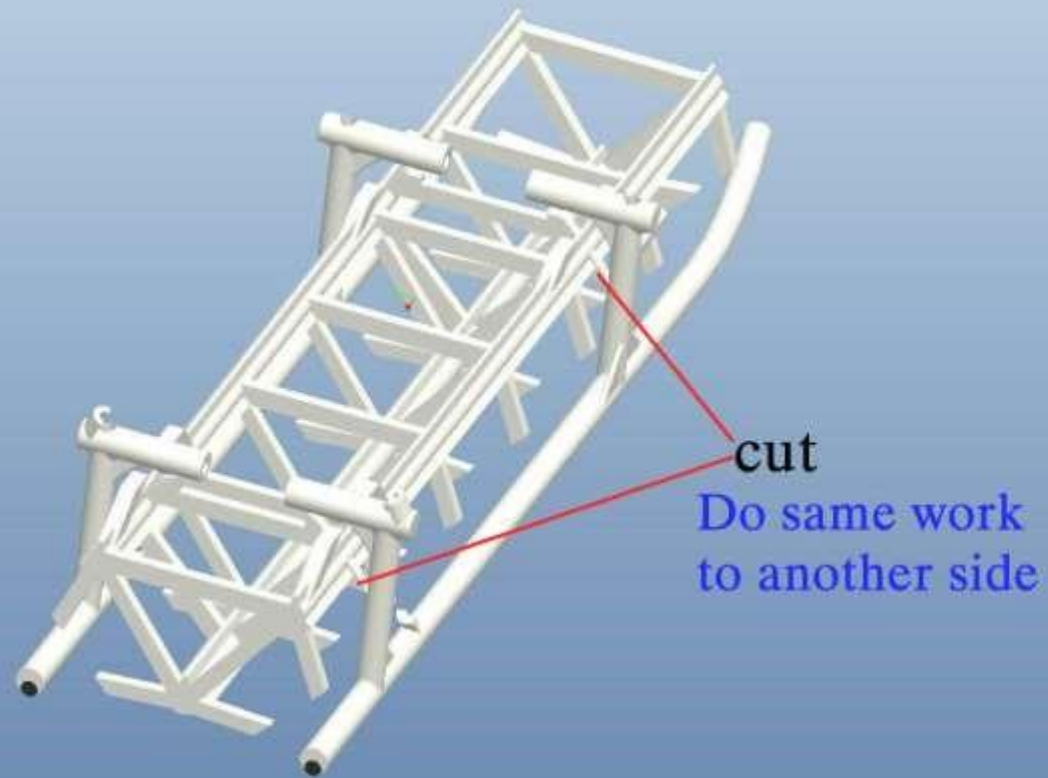


Step 4



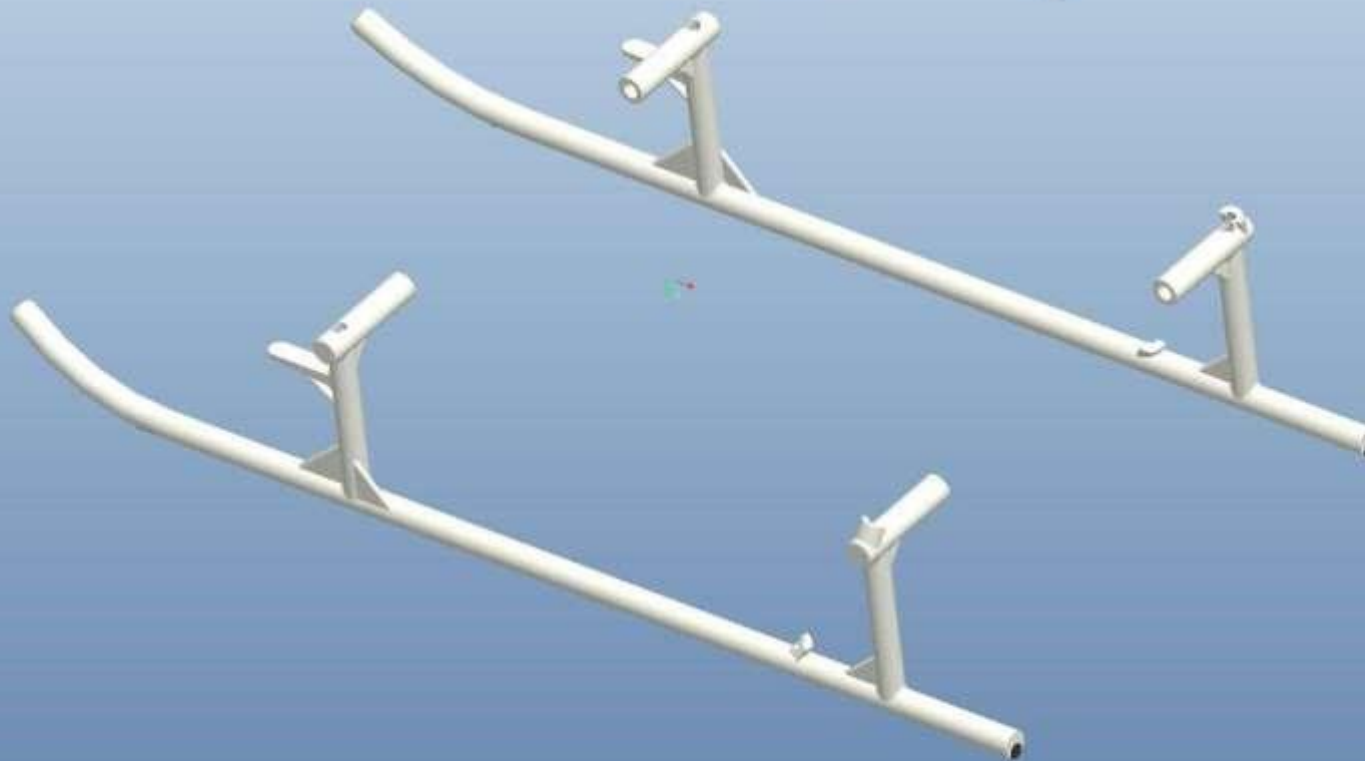


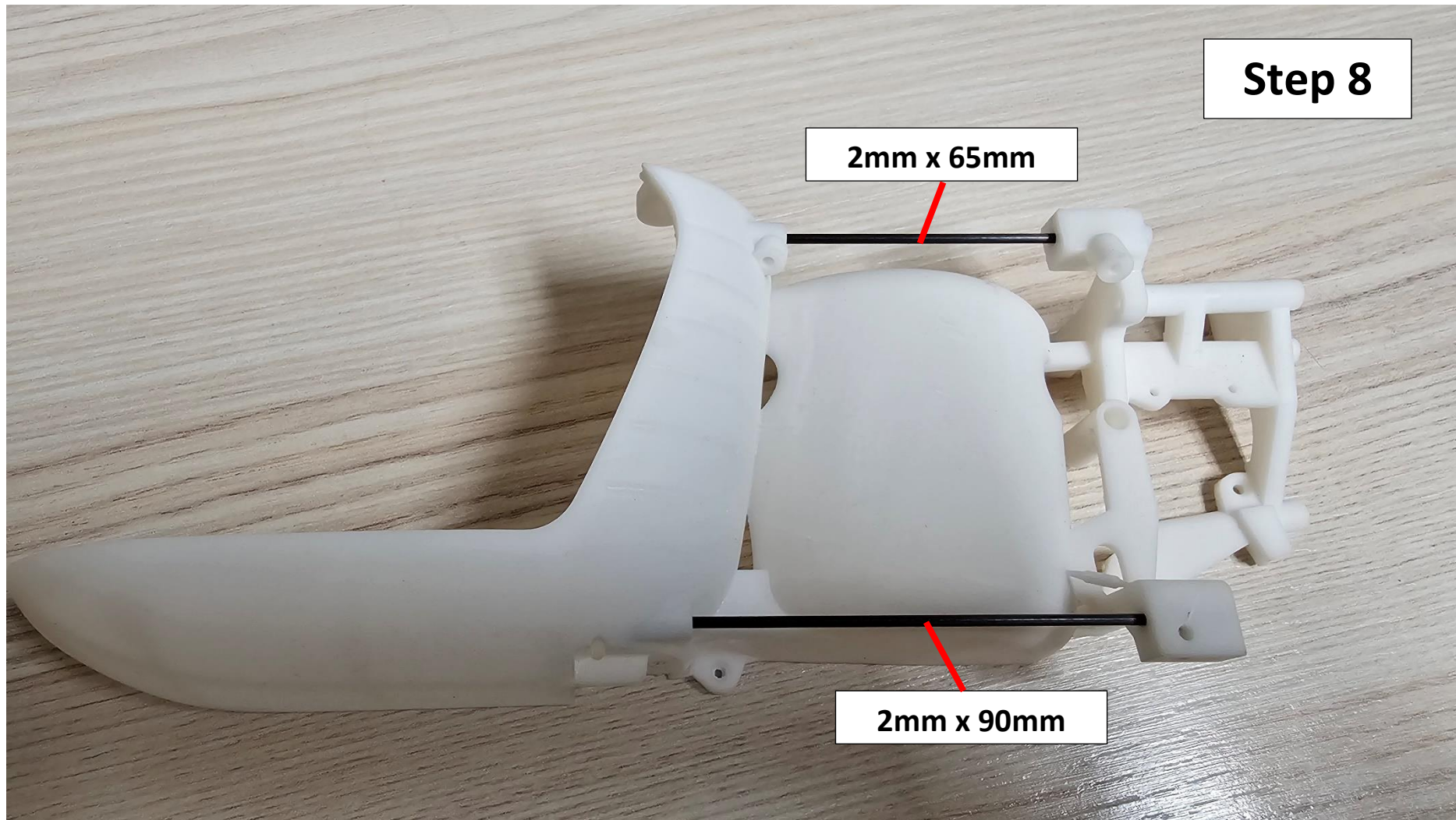
Step 6



The landing gears
after cutting

Step 7

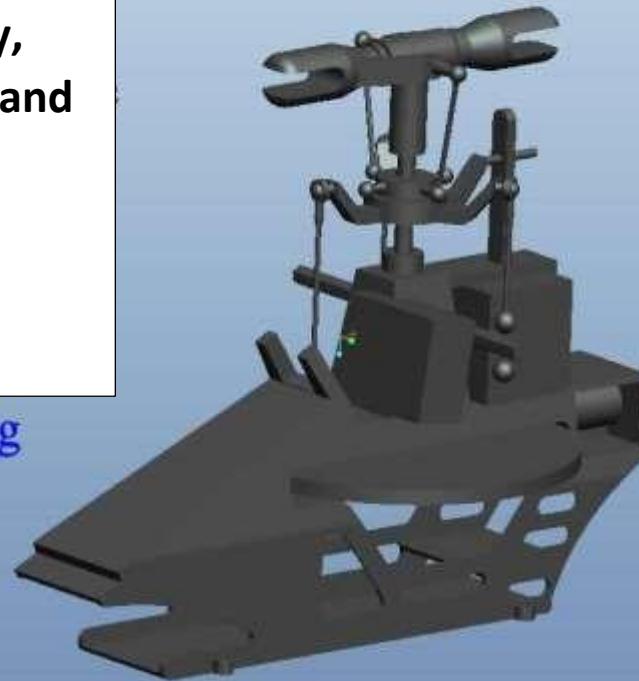


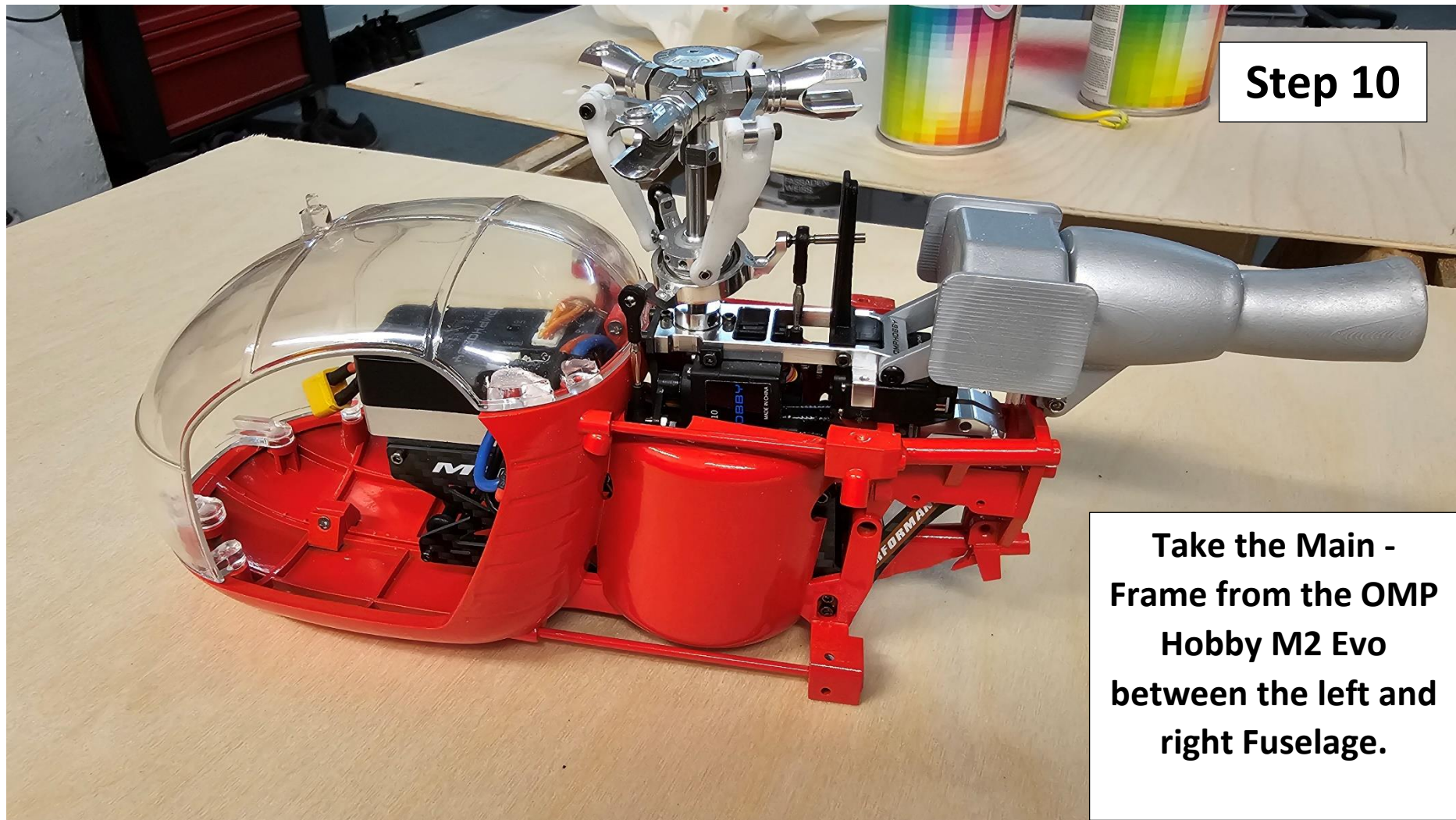


Step 9

**Prepare one OMP Hobby
M2 Evo helicopter and
remove the Canopy,
Landing Gear, Blades and
Tail.**

Keep the four tapping
screws remove from
landing gear.

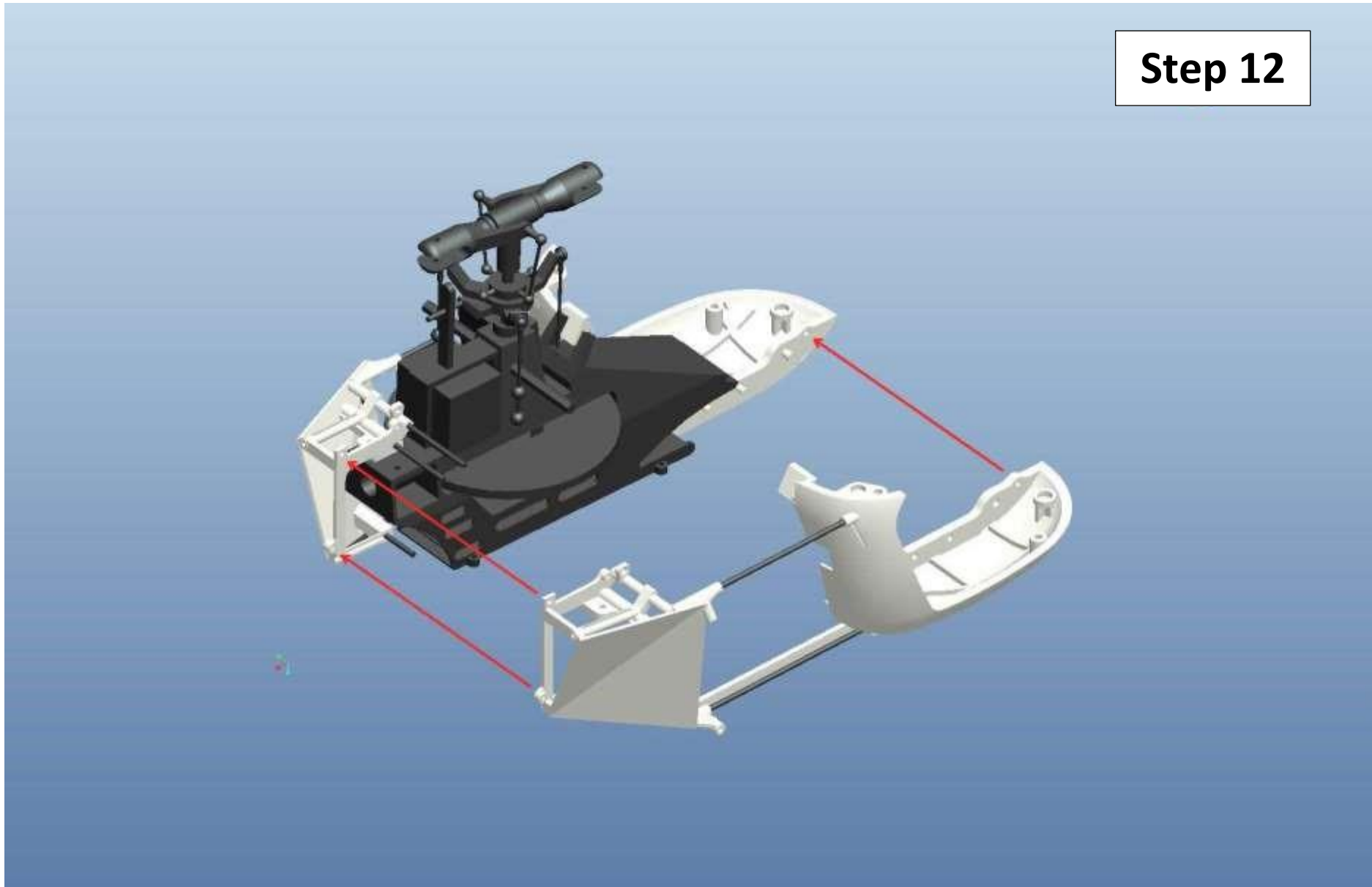


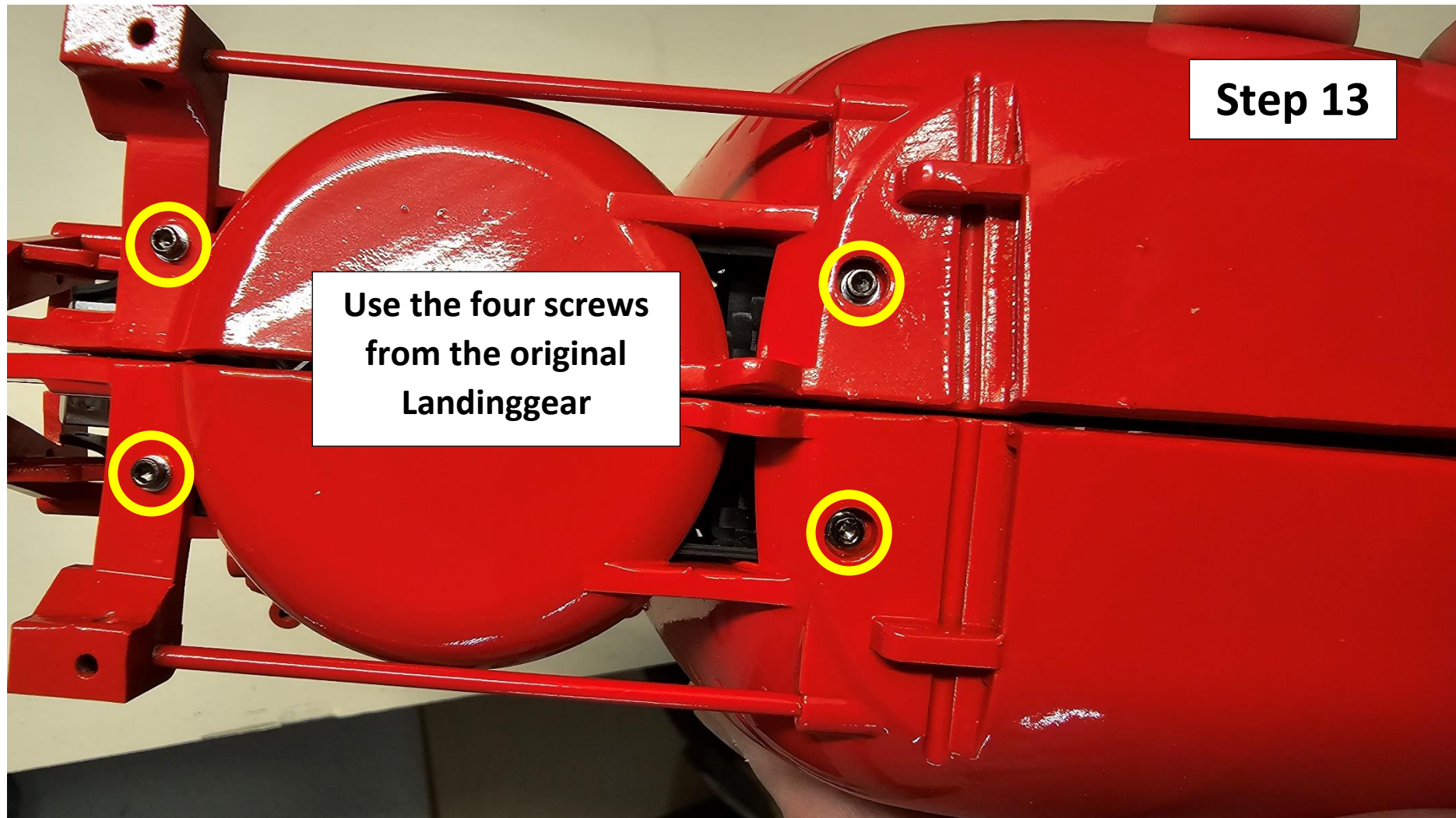


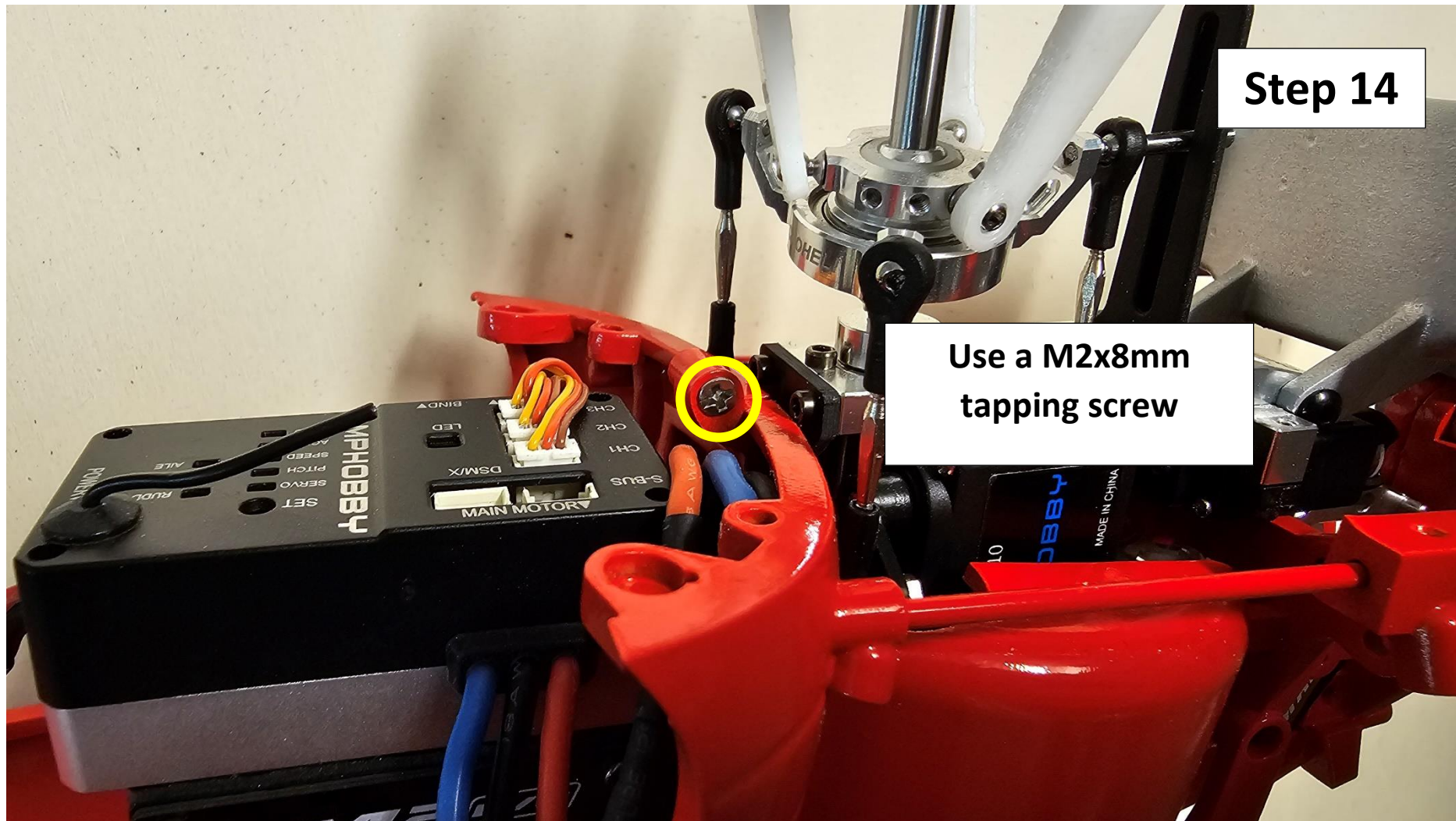
Step 11



Step 12

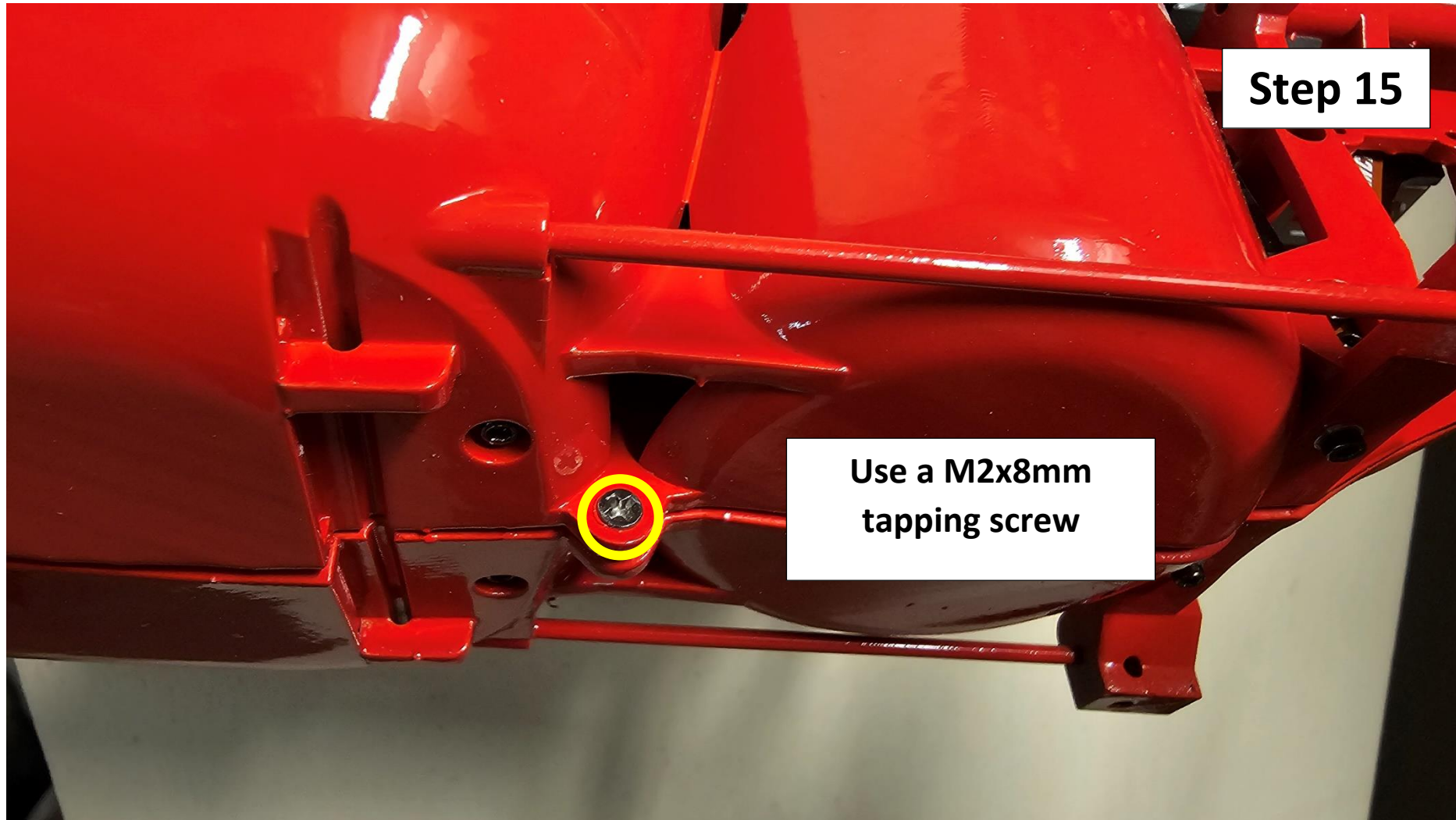


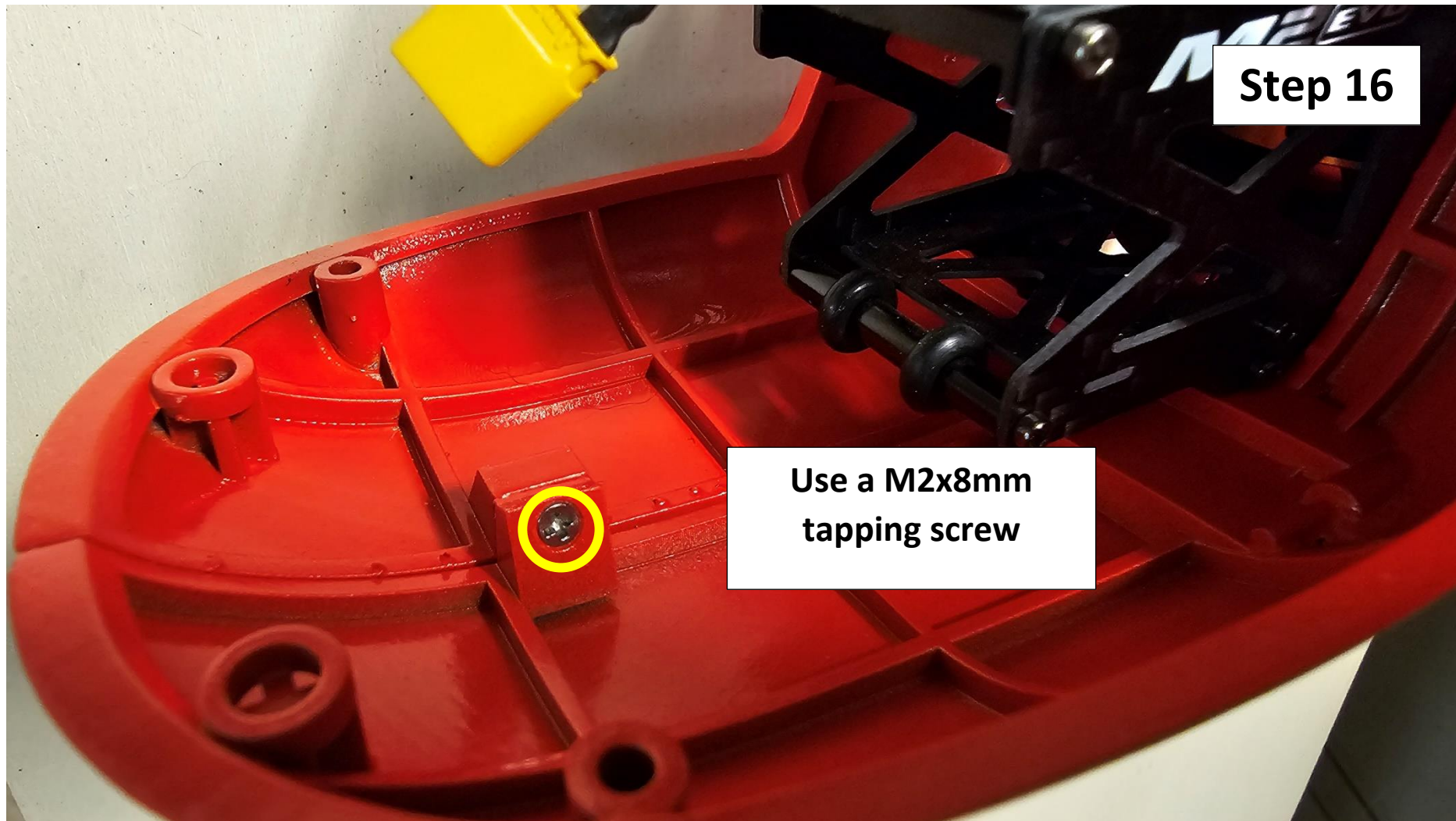


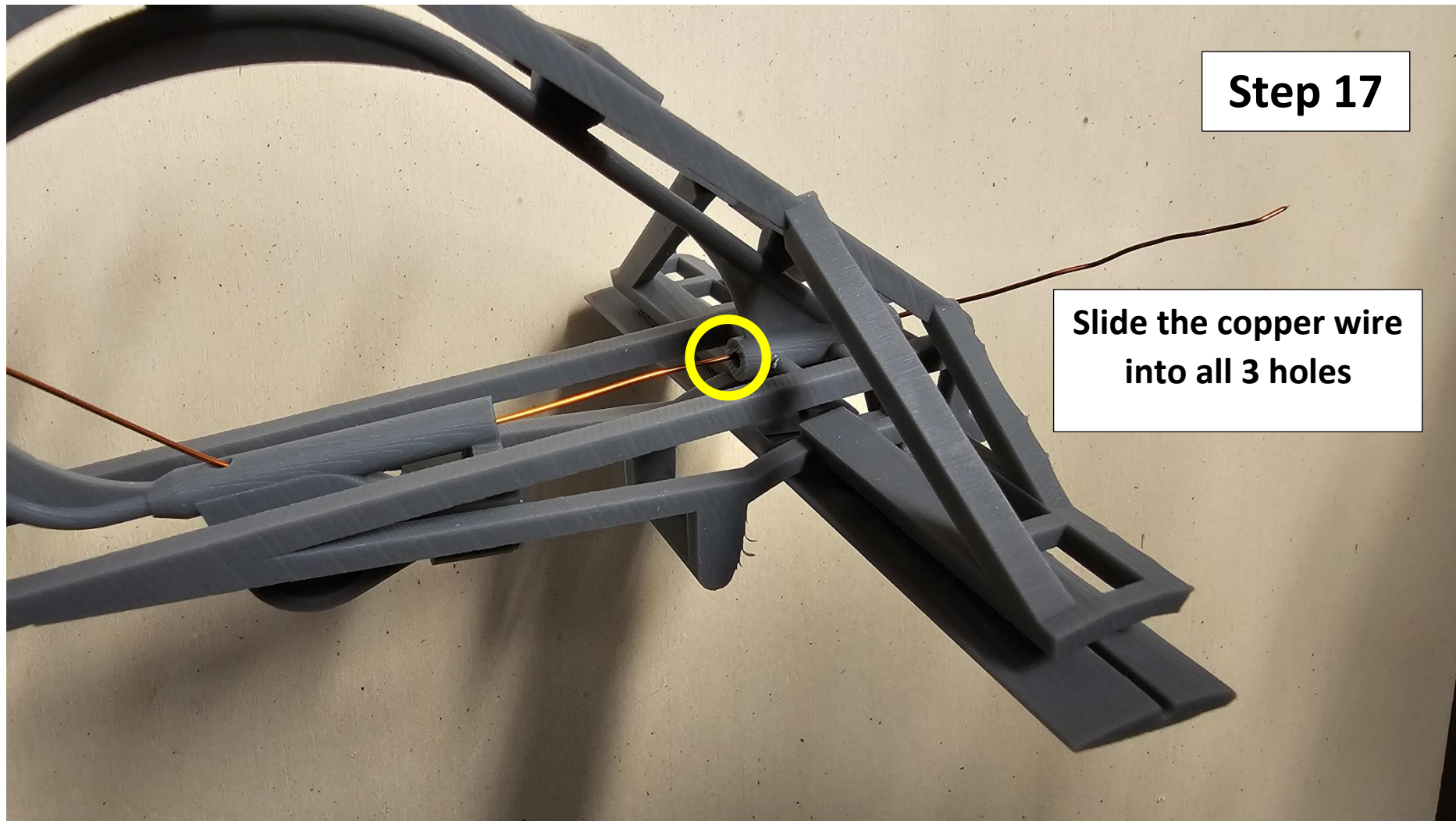


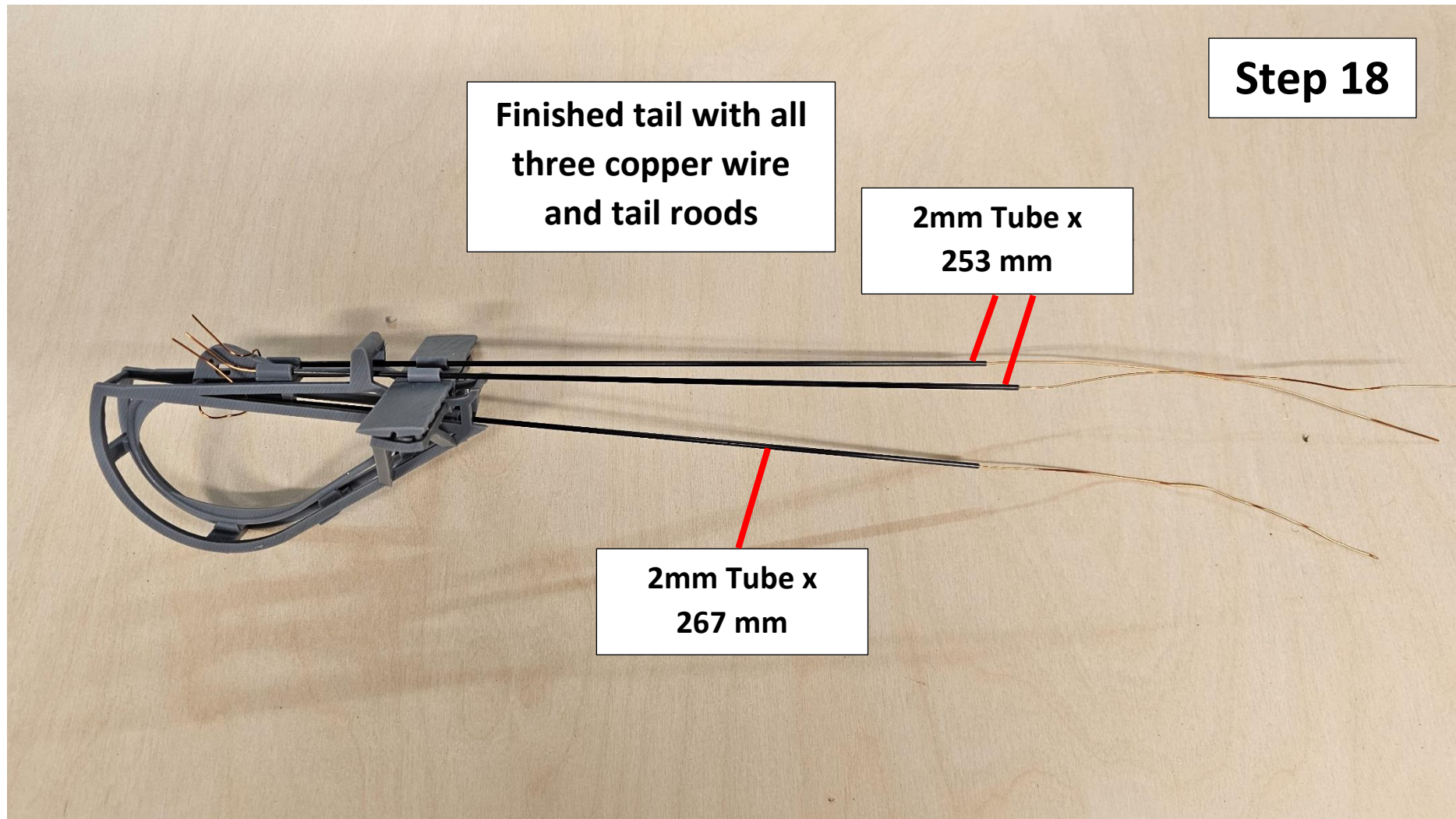
Step 14

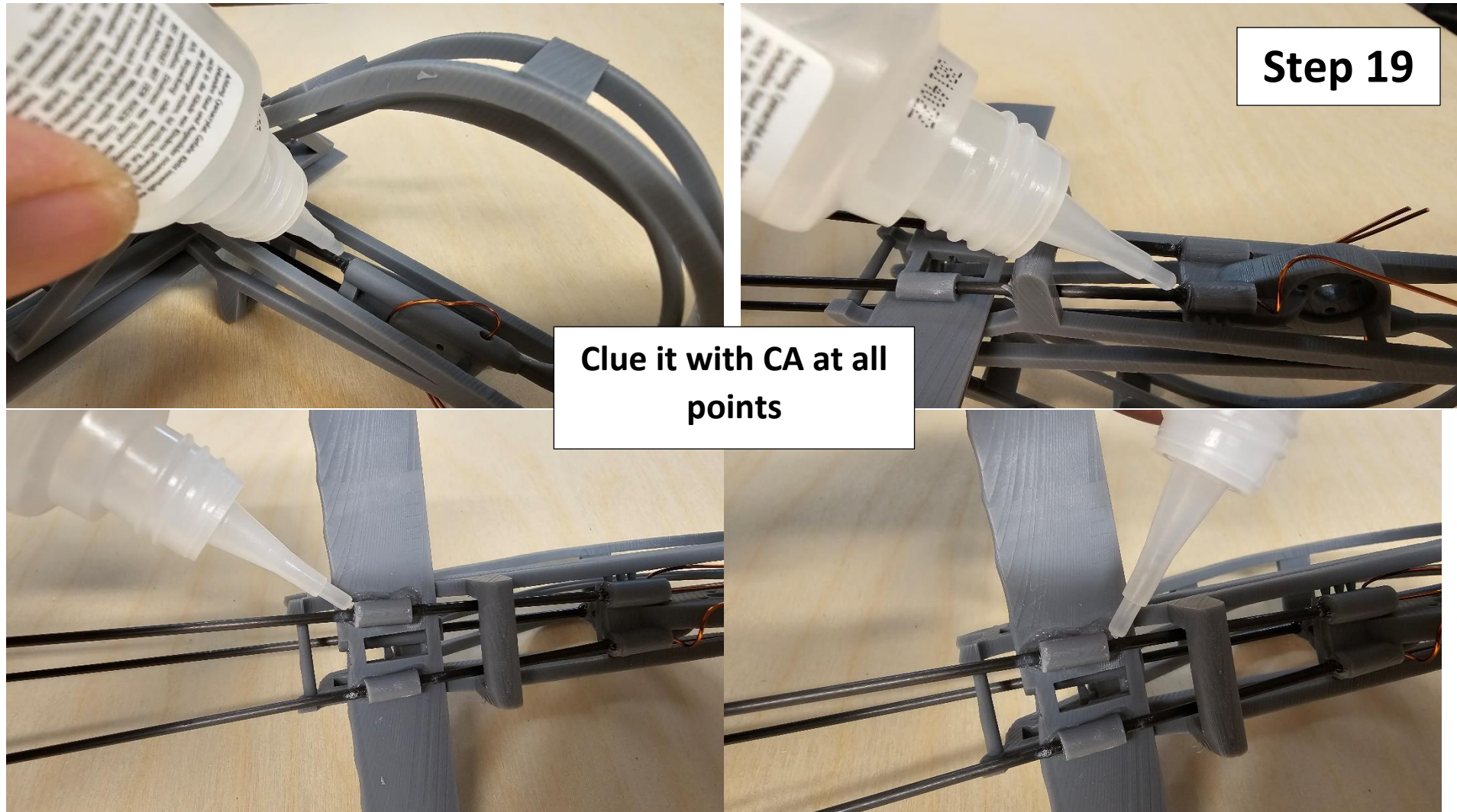
Use a M2x8mm tapping screw

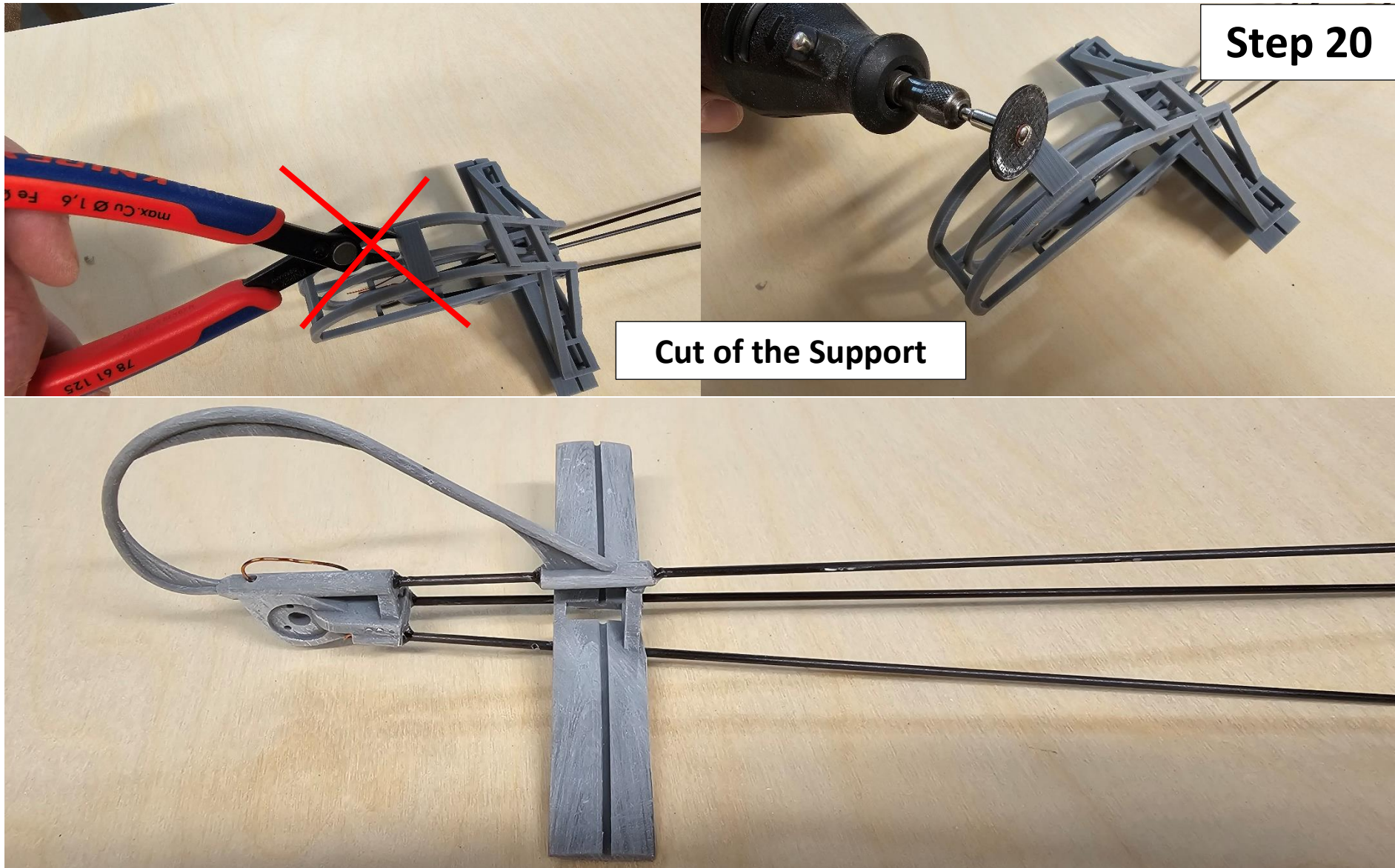


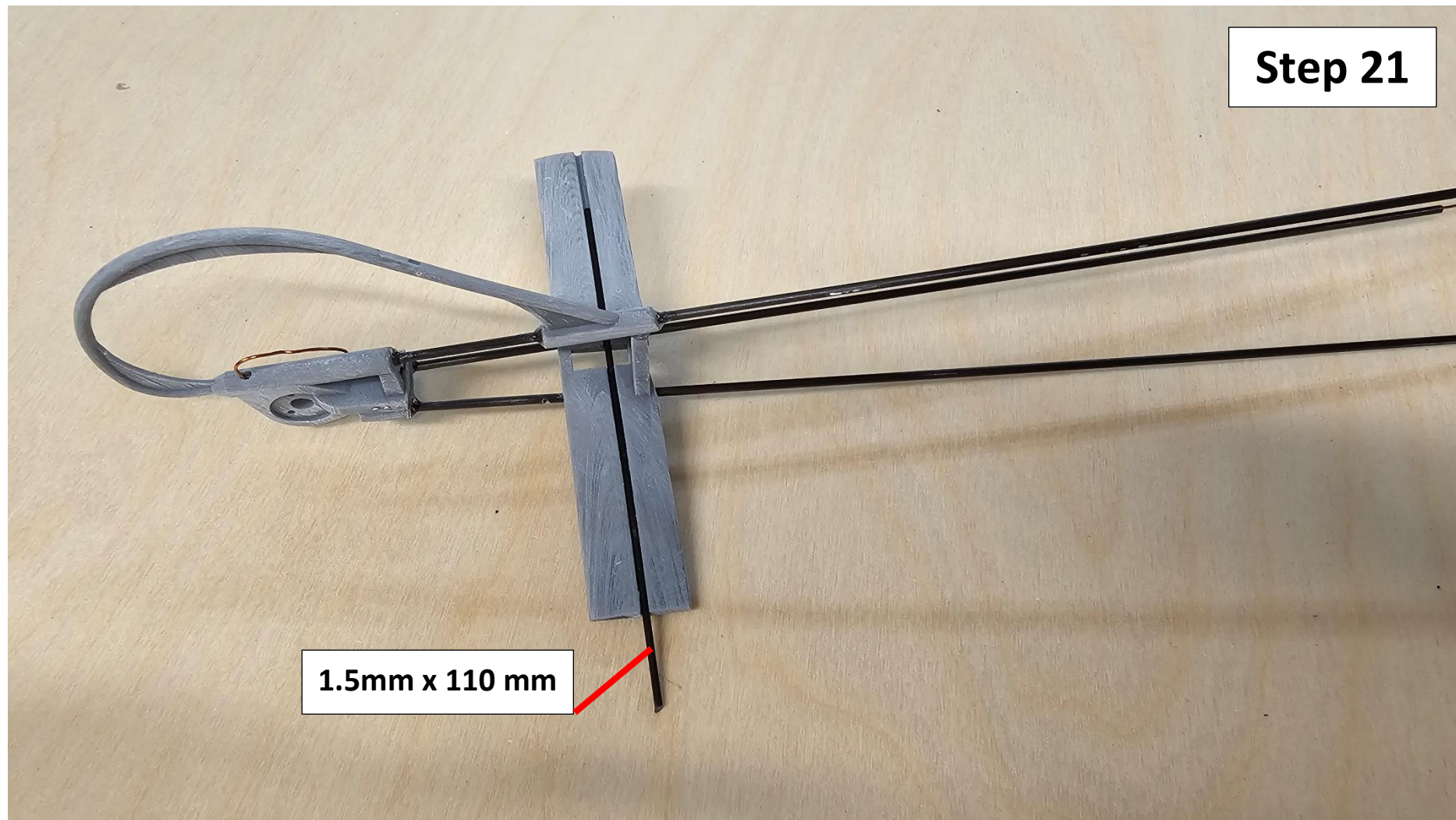


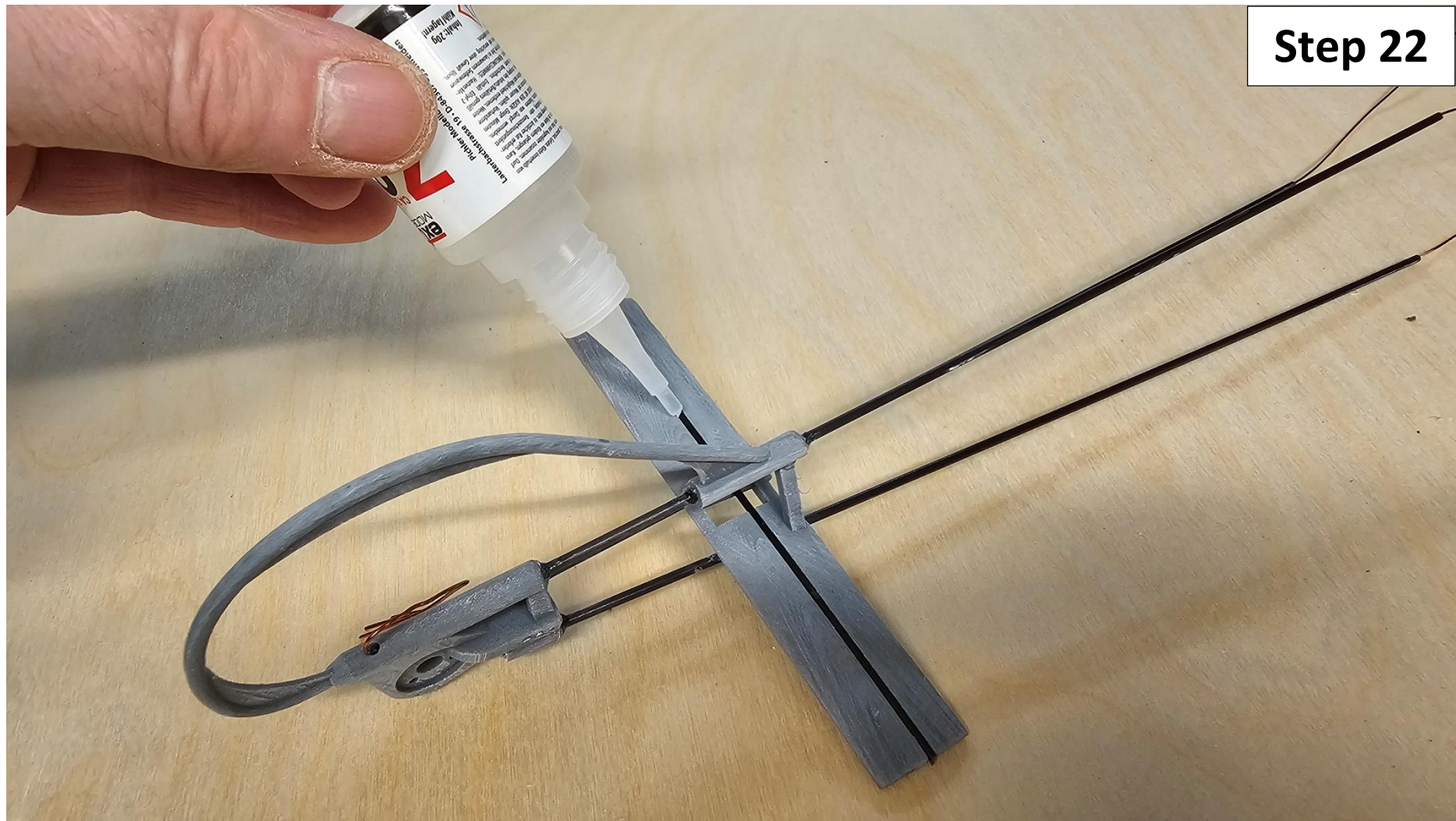




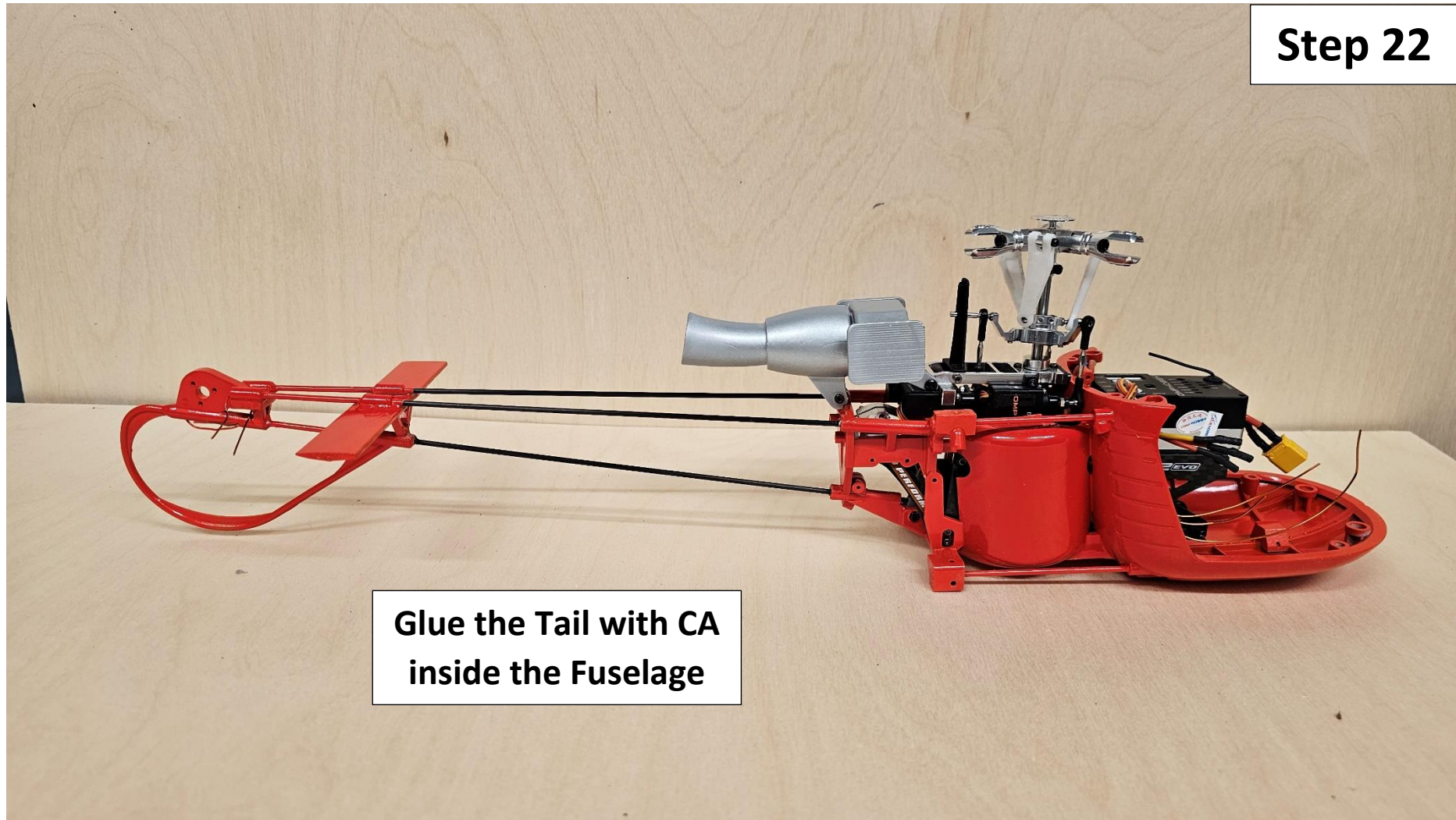






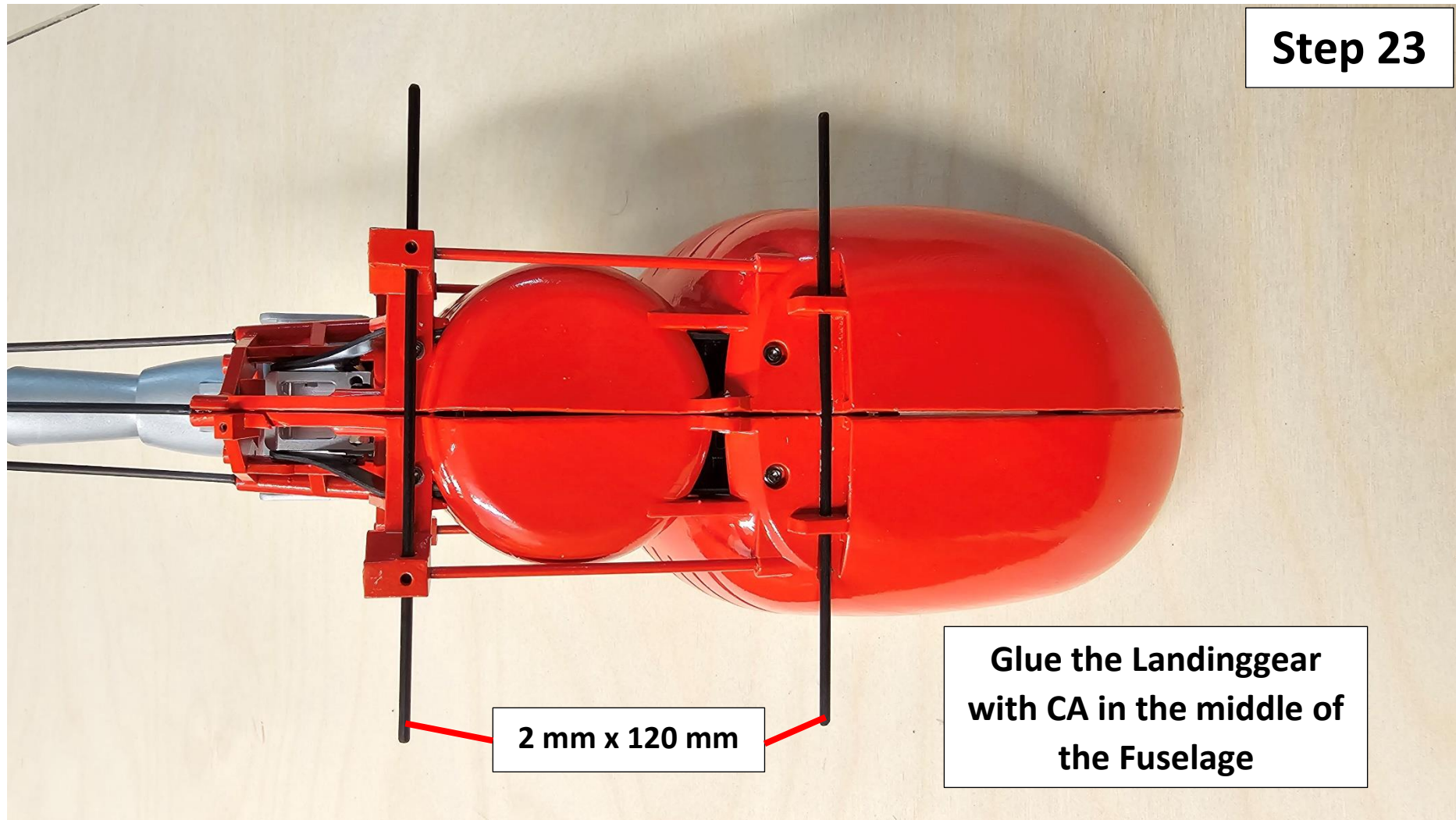


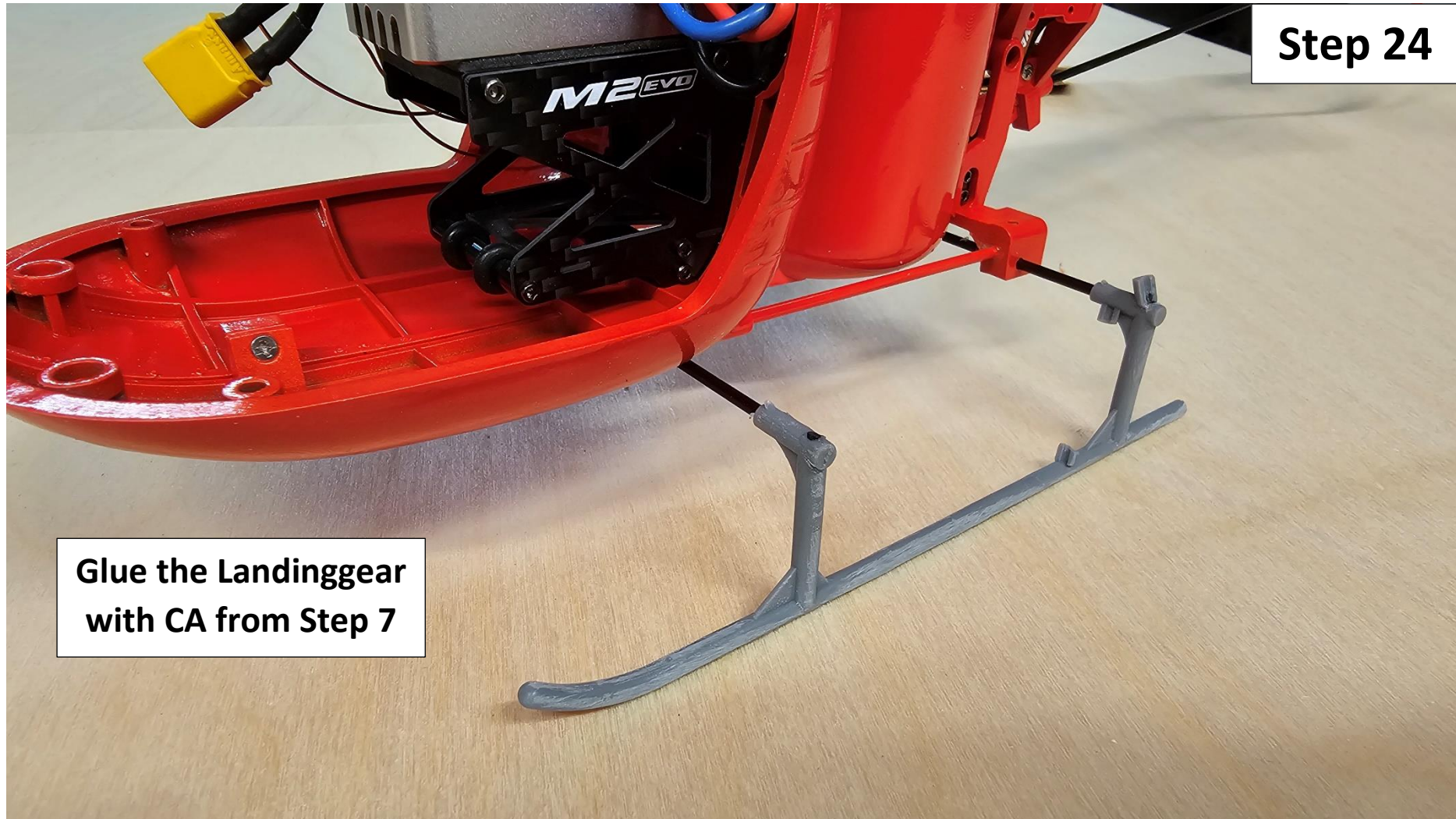
Step 22



**Glue the Tail with CA
inside the Fuselage**

Step 23

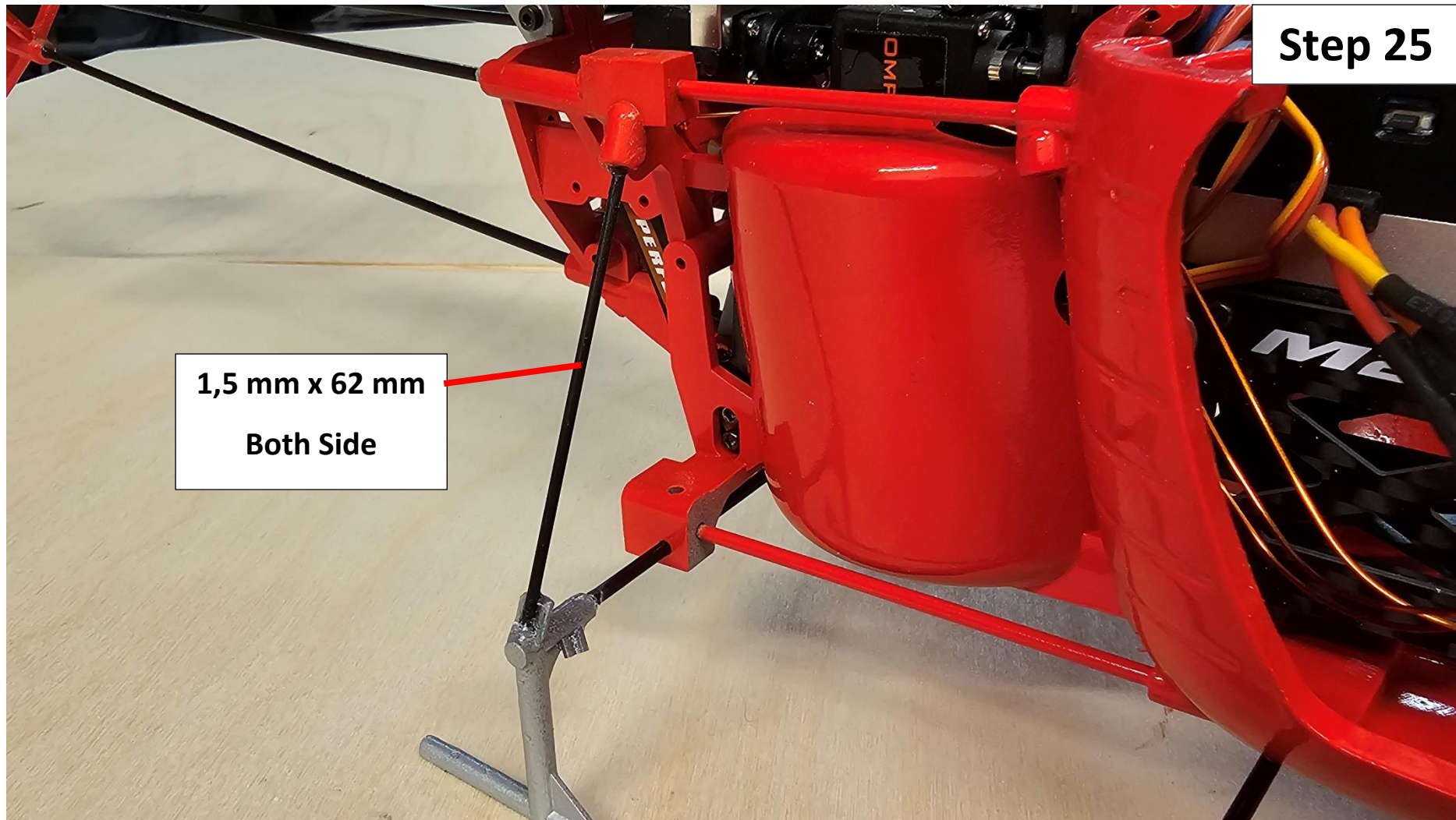




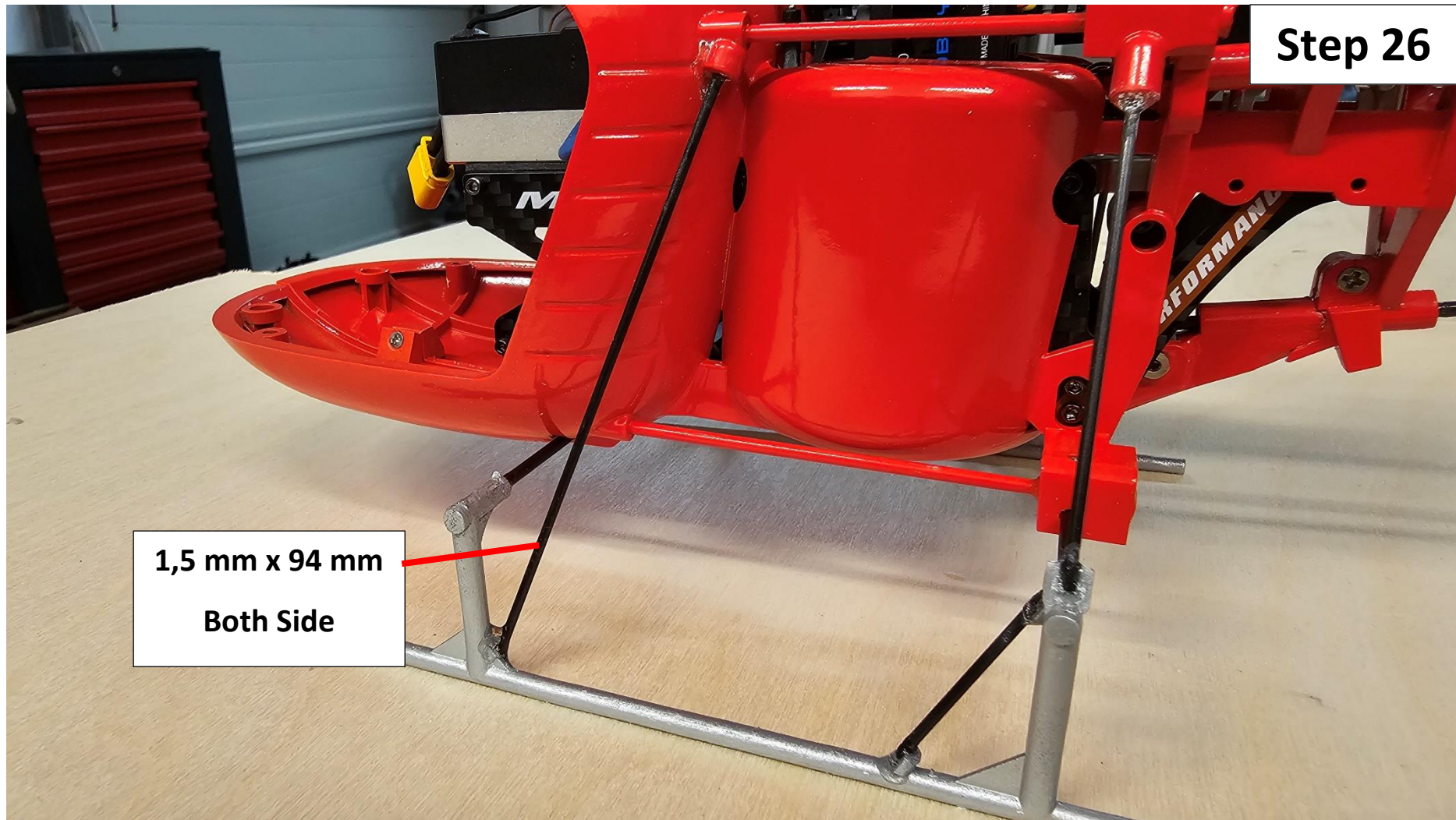
Step 24

**Glue the Landinggear
with CA from Step 7**

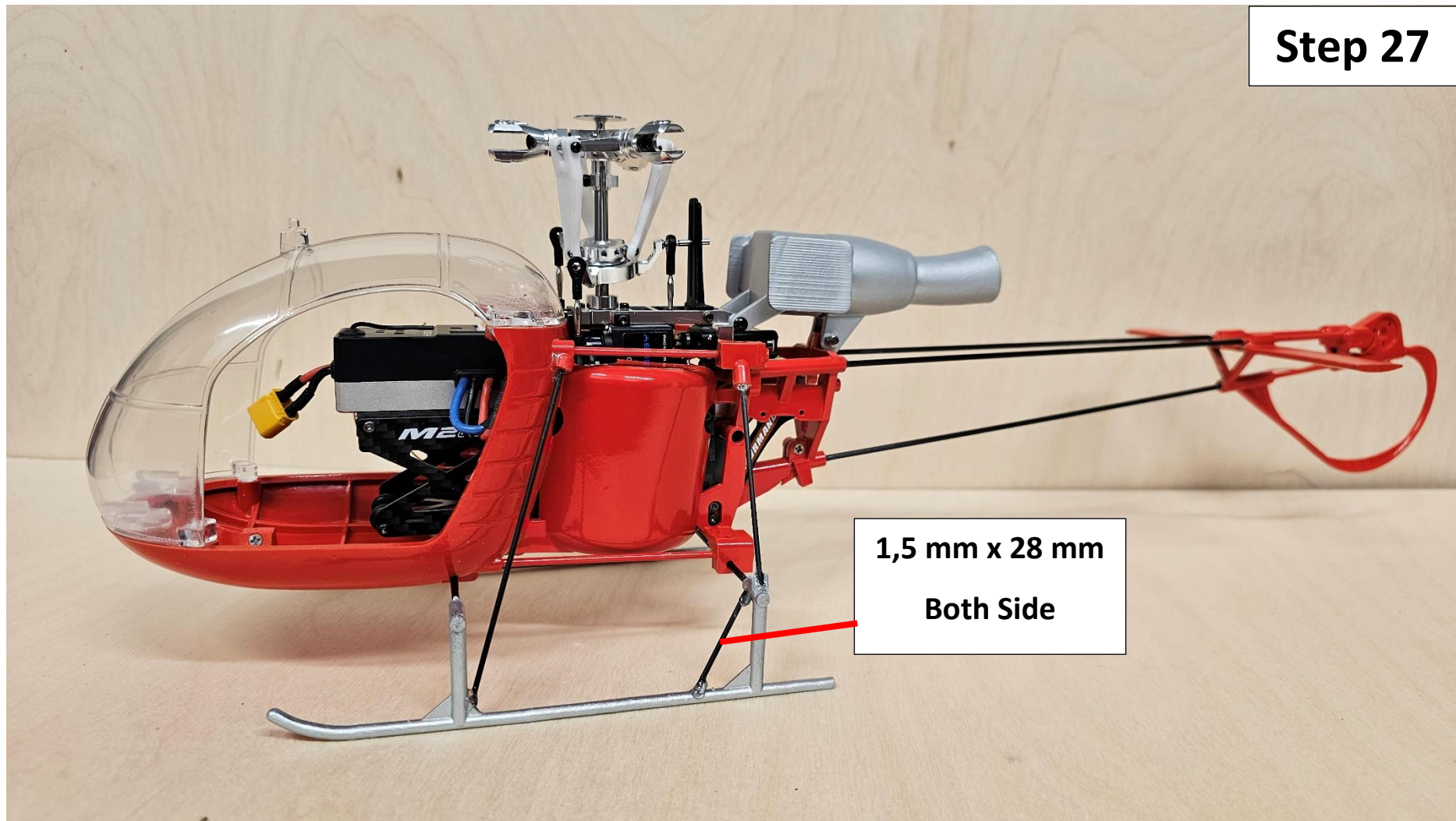
Step 25

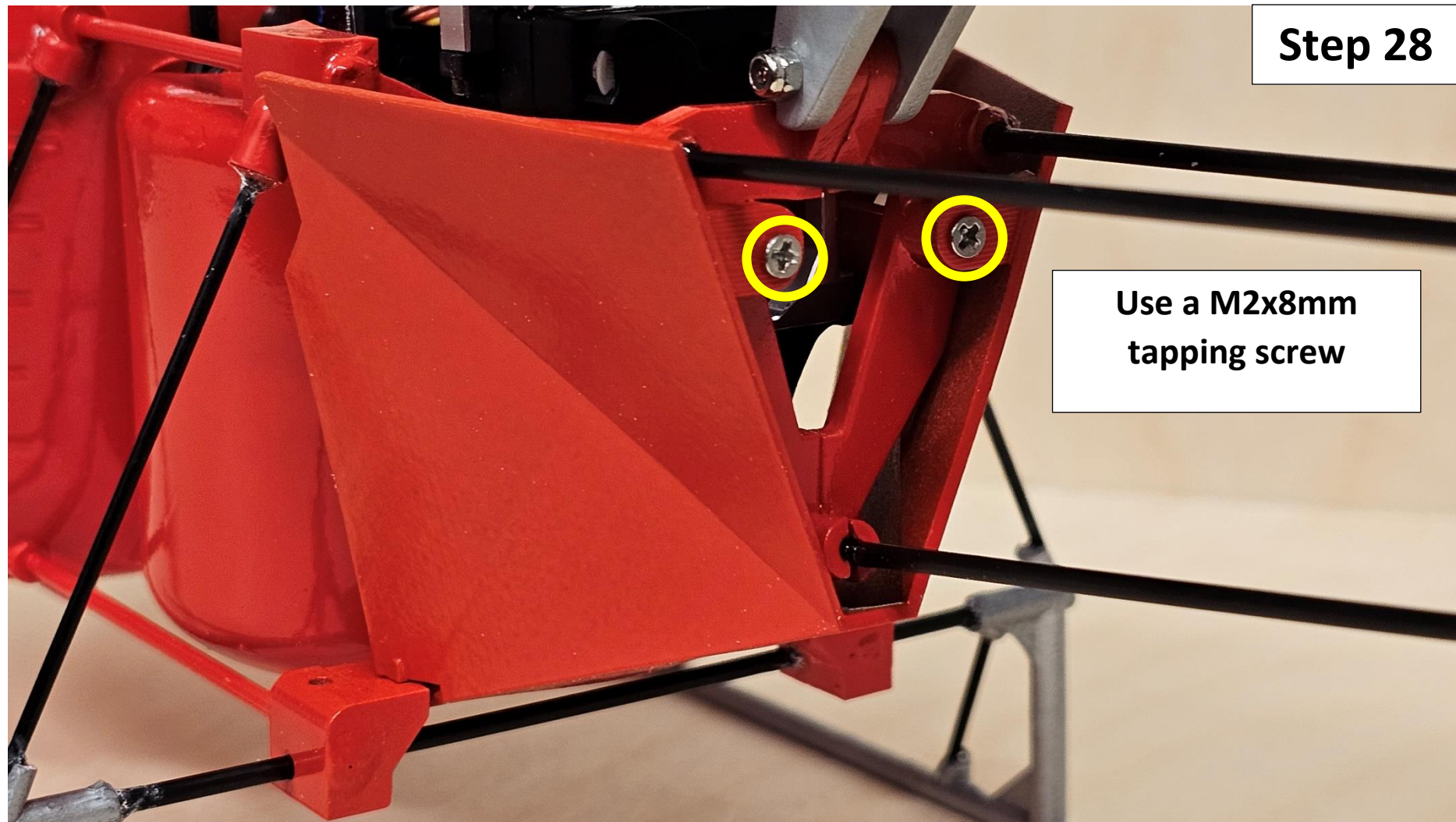


1,5 mm x 62 mm
Both Side



Step 27



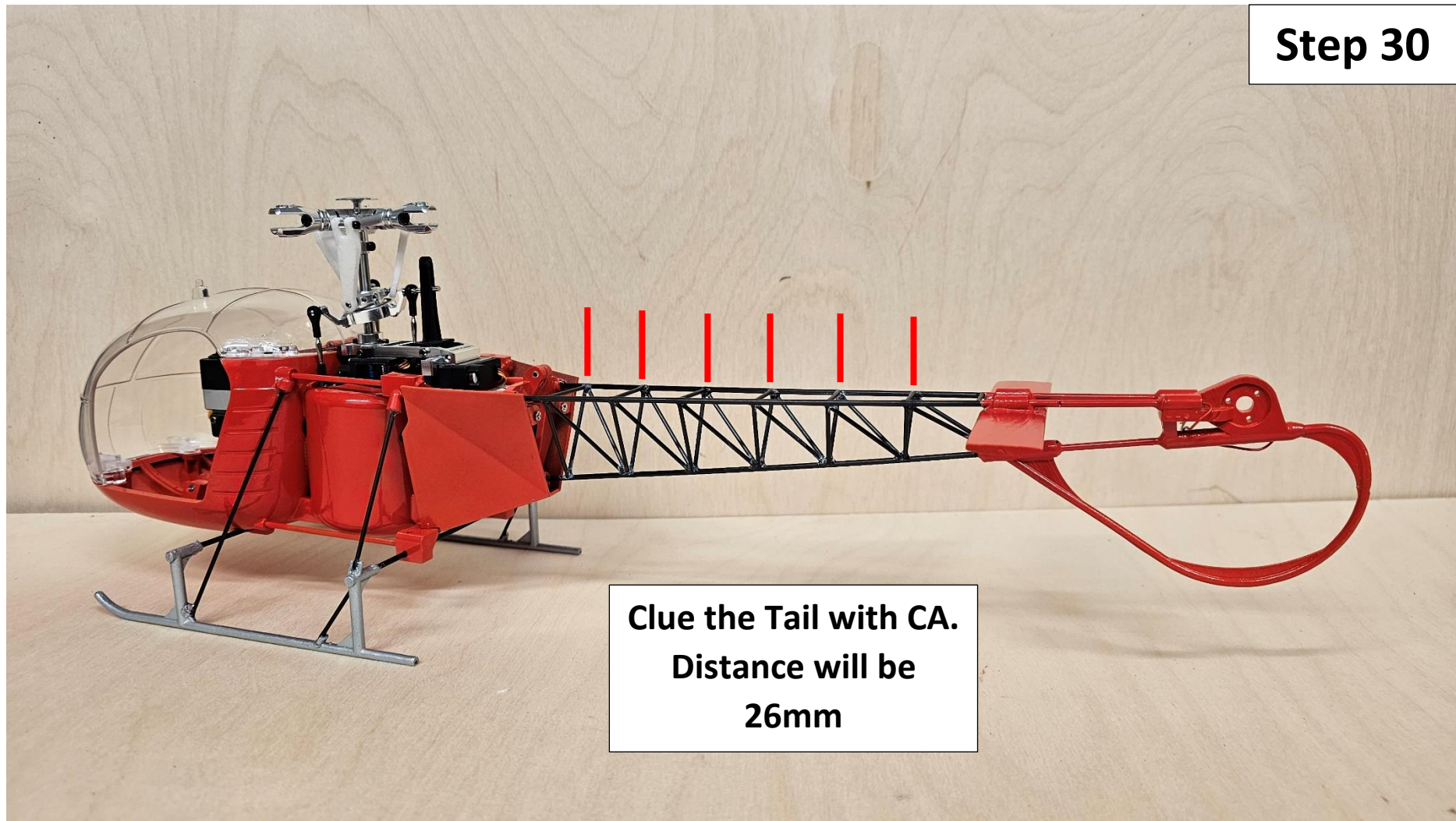




Step 29

**Use a M2x8mm
tapping screw**

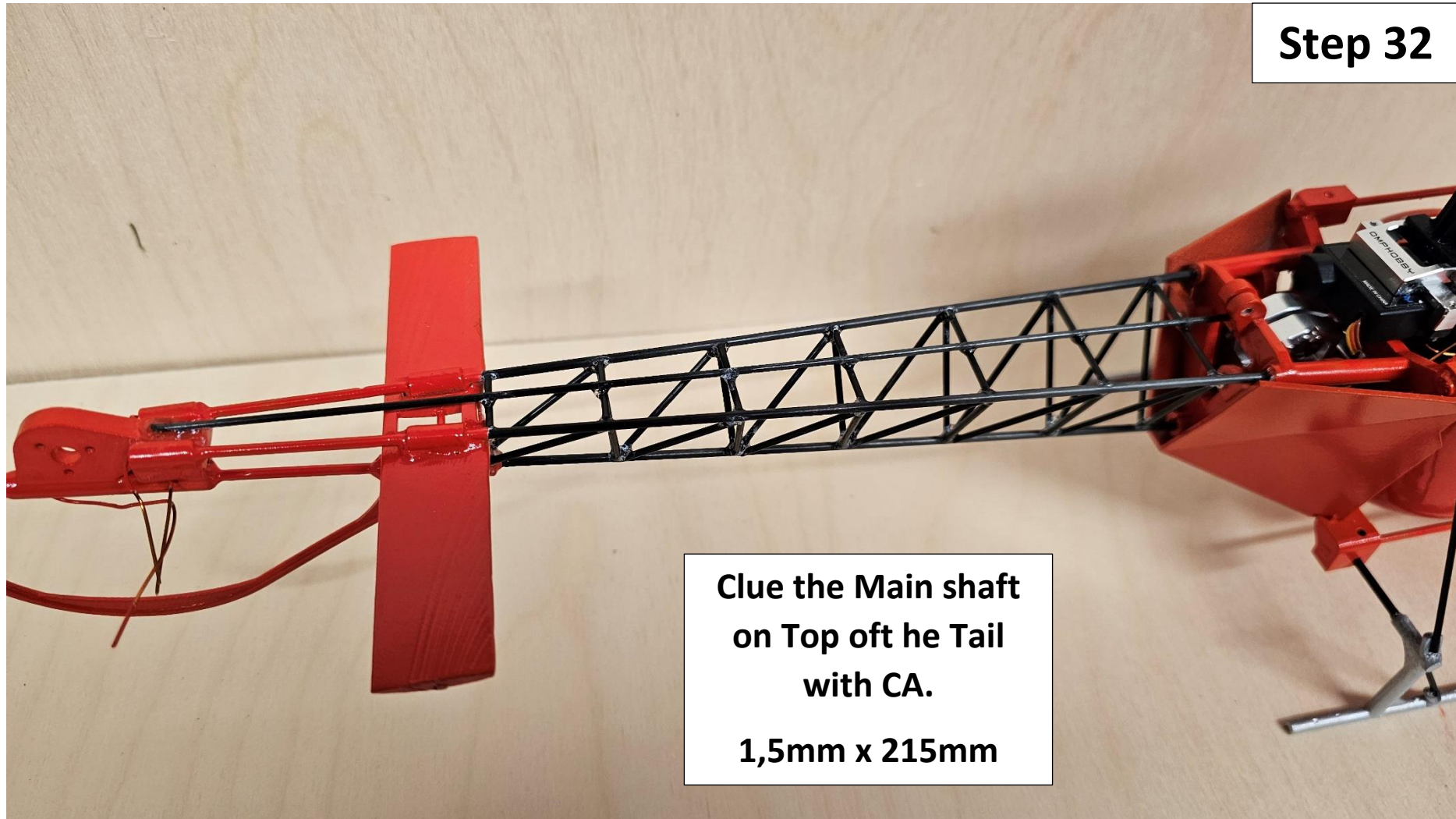
Step 30



Step 31



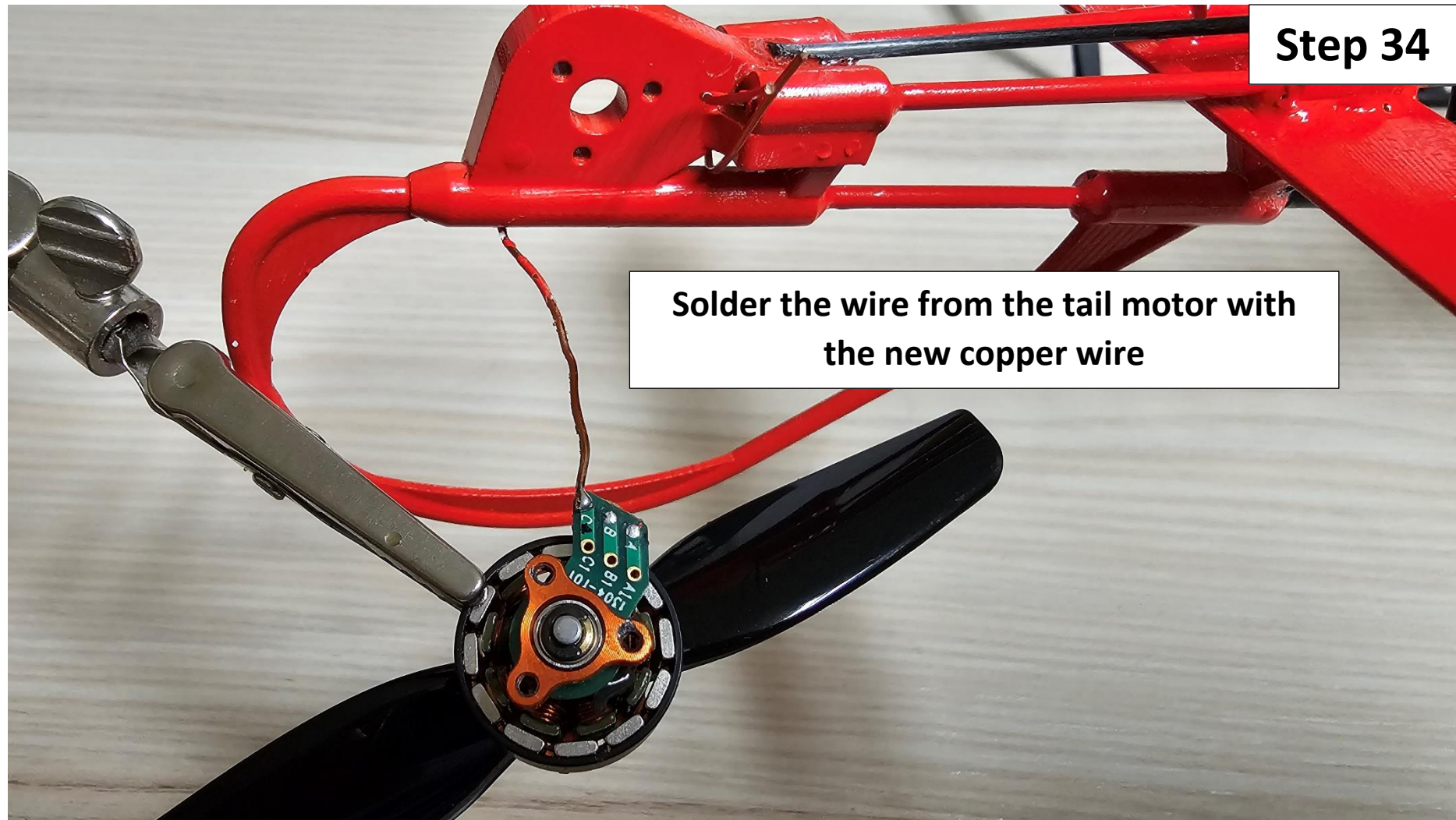
Step 32



Step 33

Solder off the wire from the tail motor



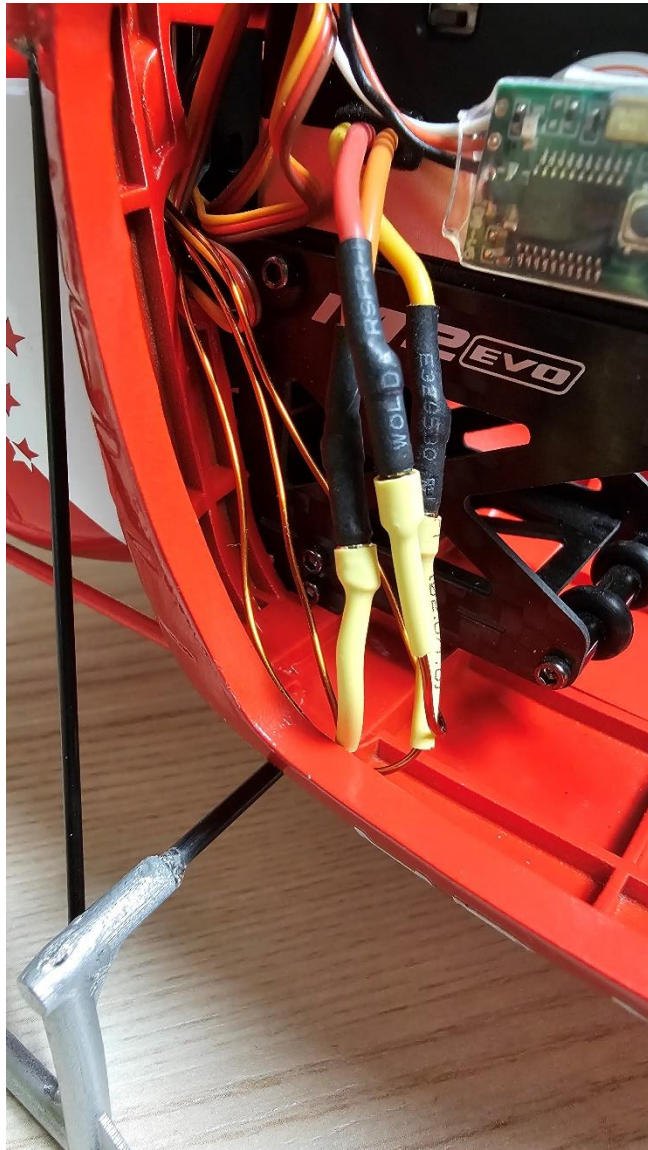


Step 35

**Mount it with three Screw M1.5 x
5mm**

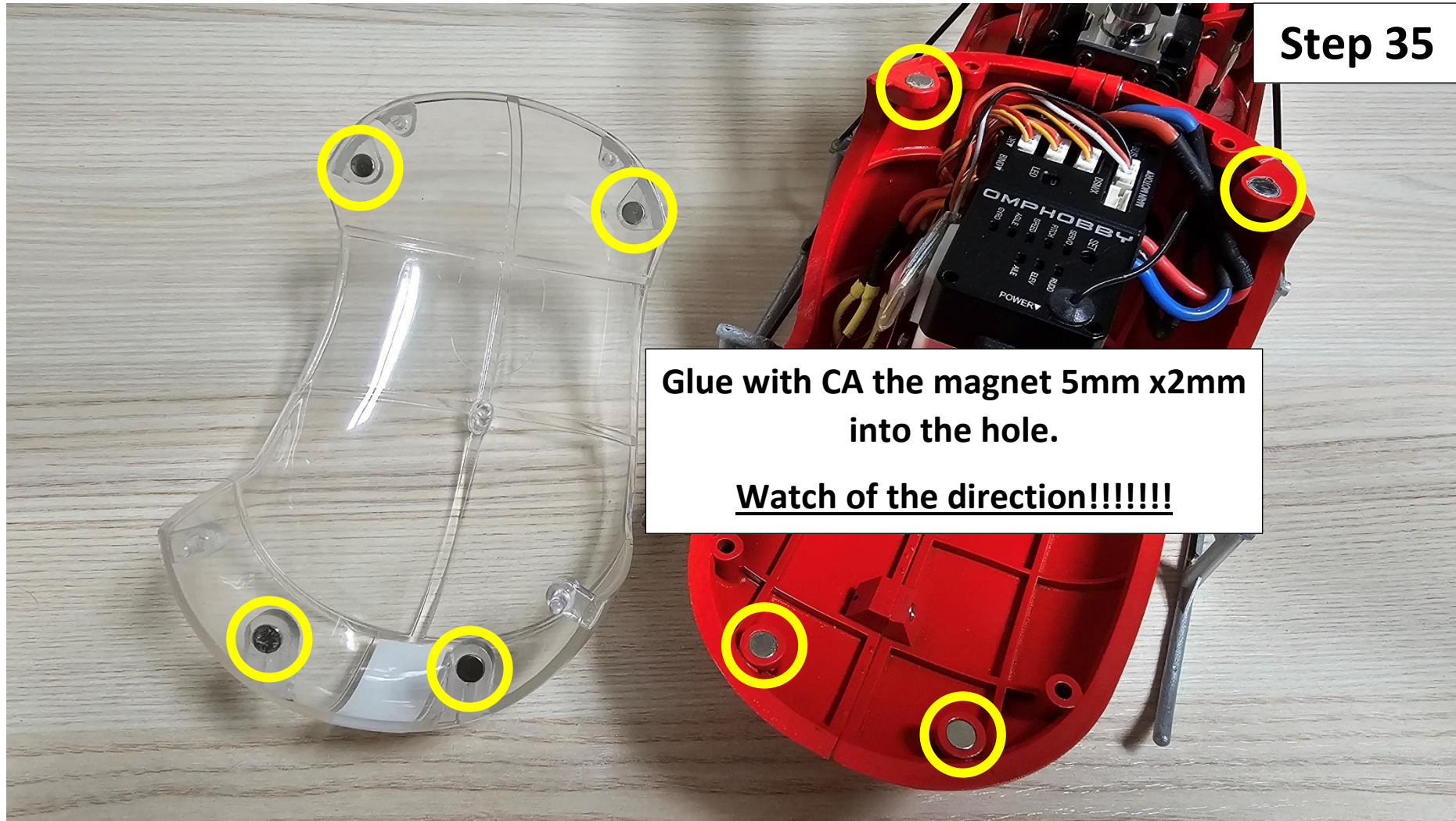


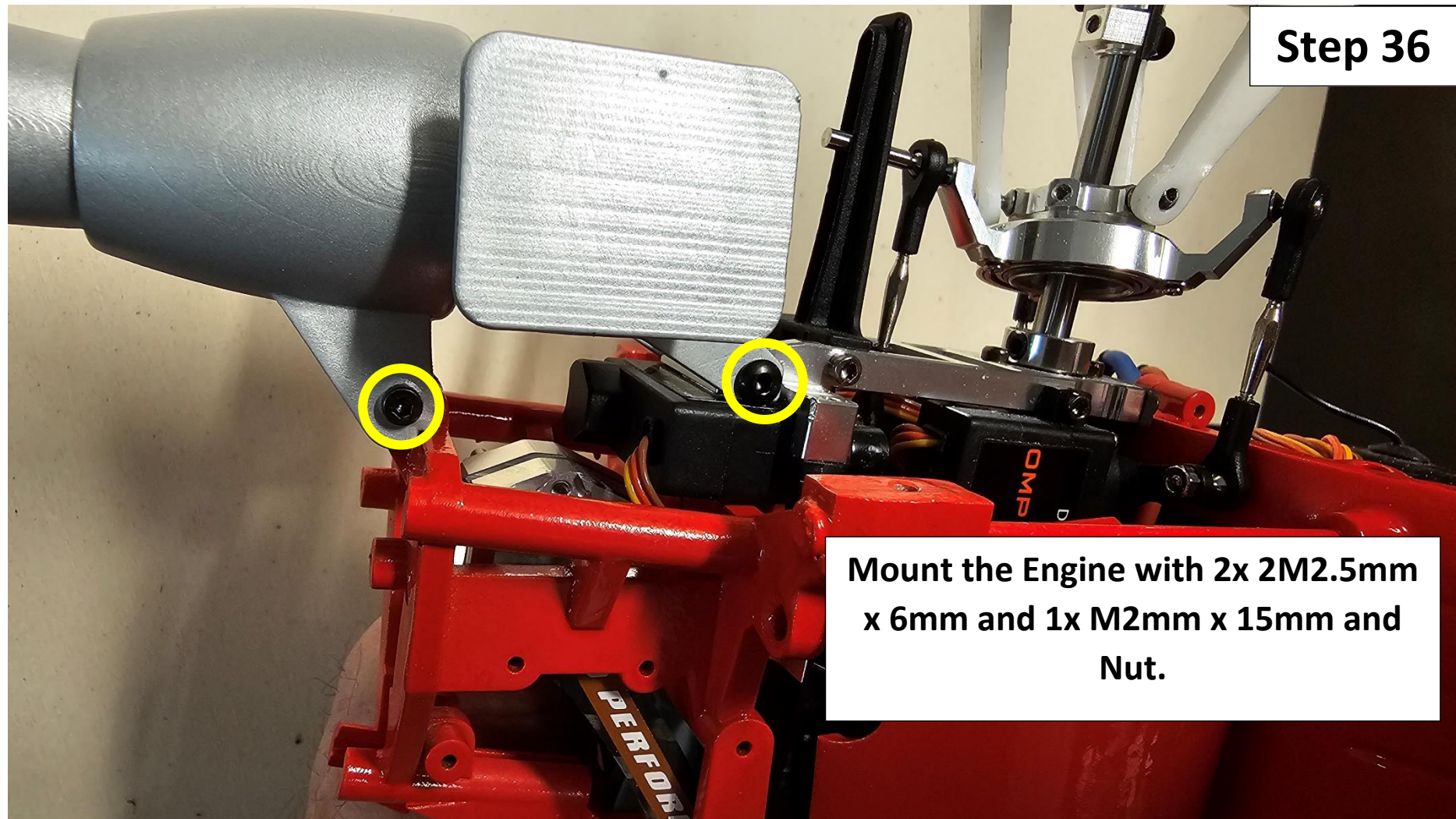
Step 35



Solder the three copper wire with the original connector for the tail motor.

Make sure he turn later in the correct direction !!!!!!!







Your new Lama SA315B for OMP Hobby M2 EVO is now done. If you like, you can setup it with a 3 Blade Mainrotor

