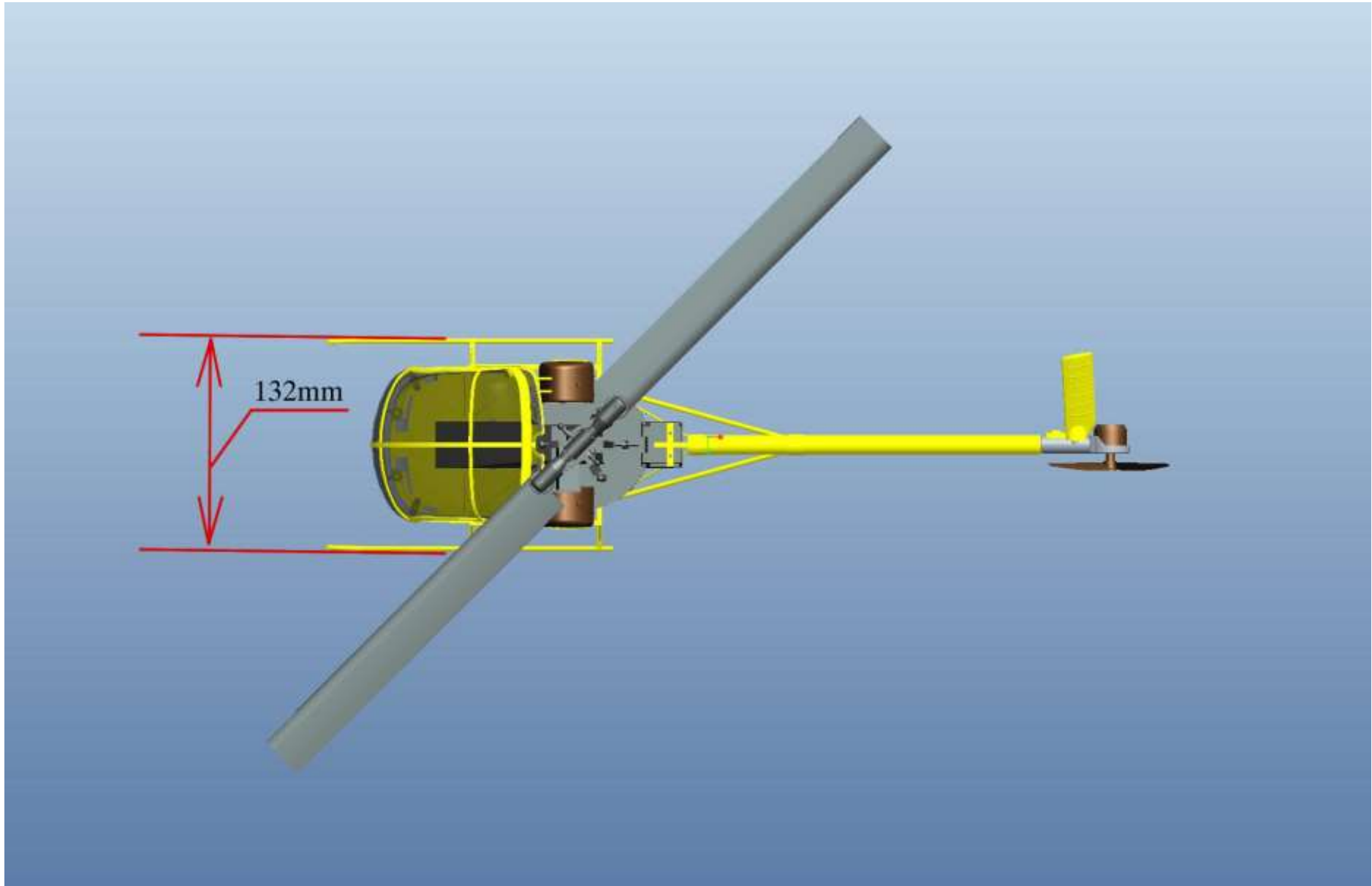
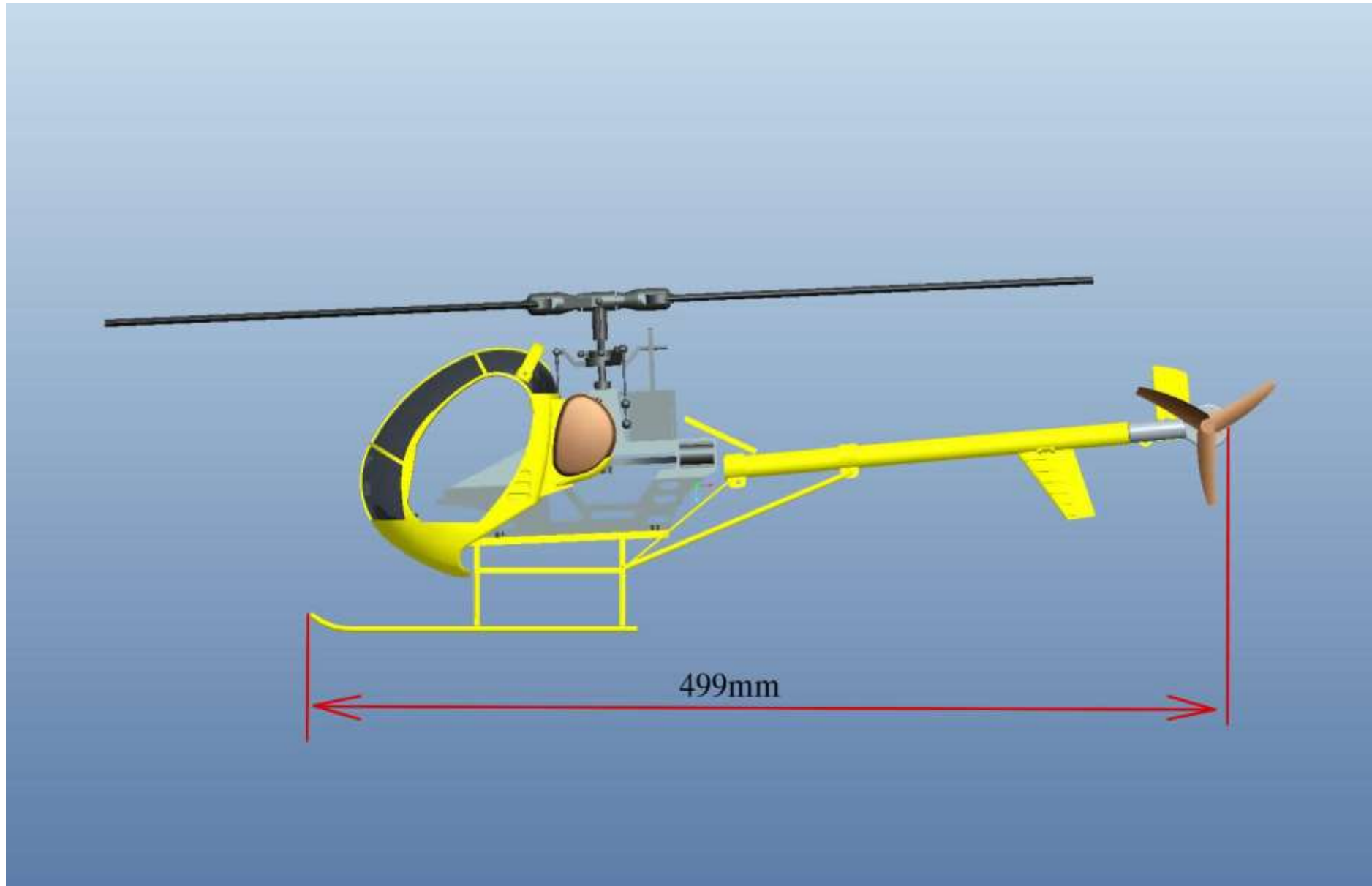


Bauanleitung K2S300 / Hughes 300 230er Größe für Blade 230S



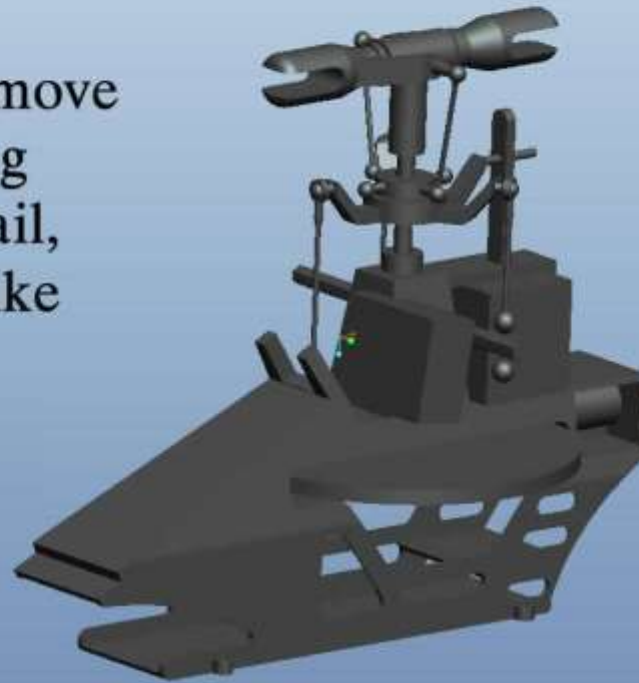




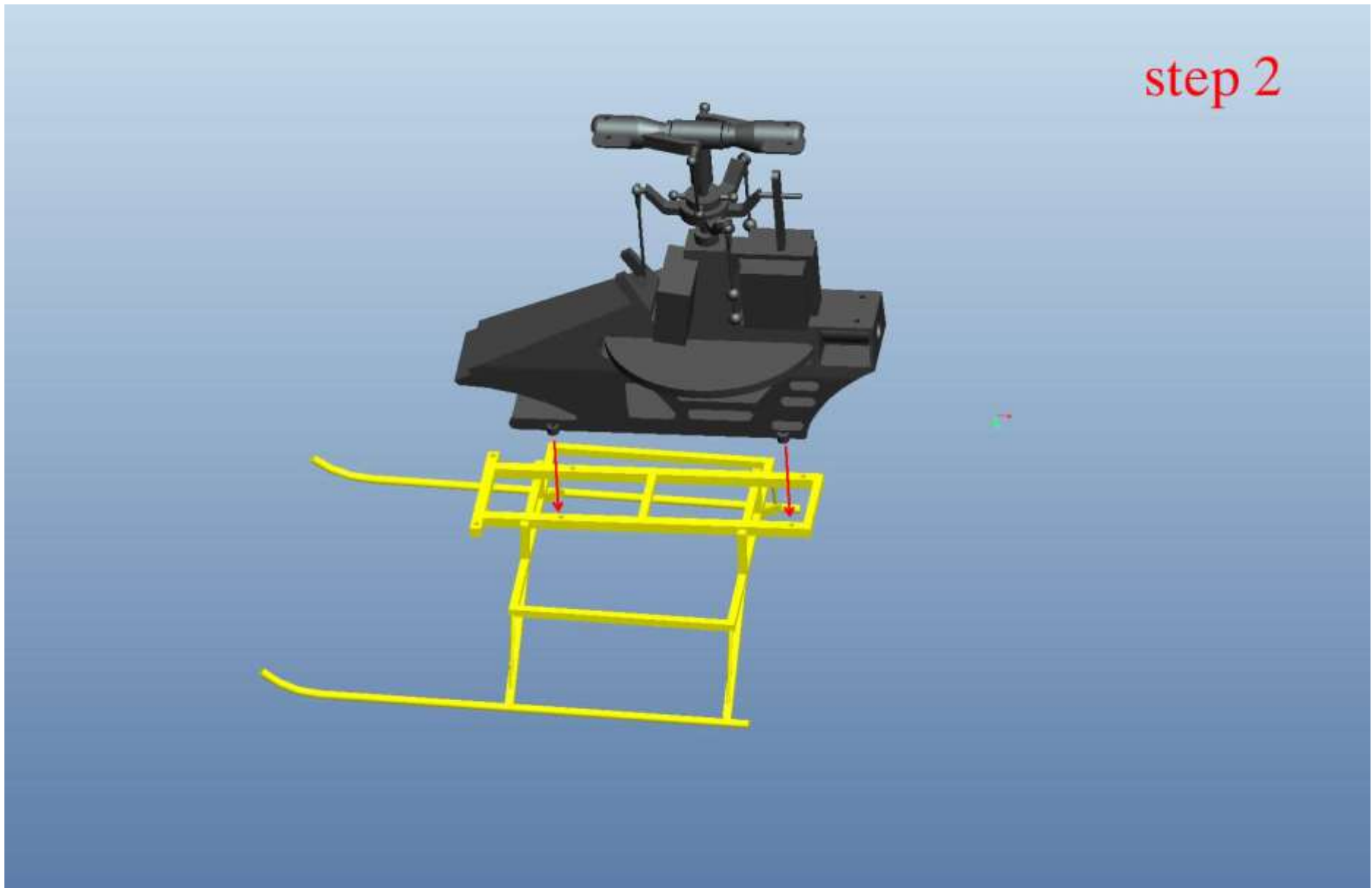


step 1

Prepared one Horizon blade 230s v2(v1) helicopter, and remove the canopy, landing gear, blades and tail, remain the parts like this picture.



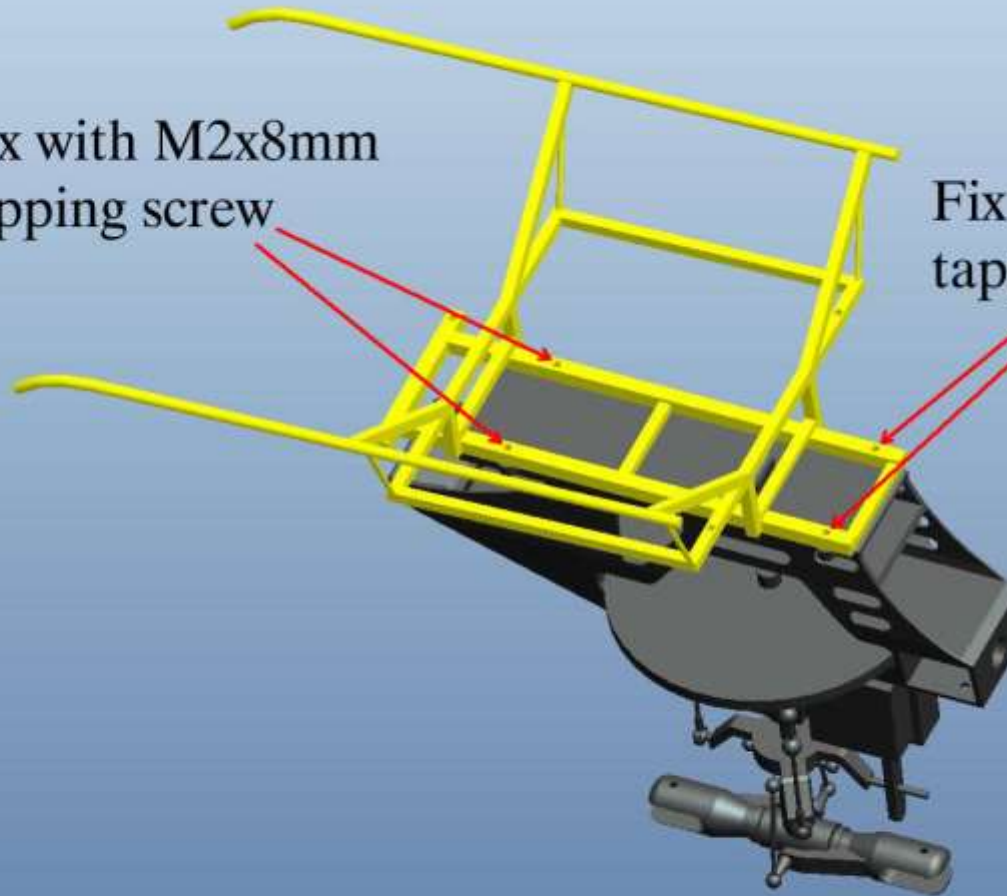
step 2



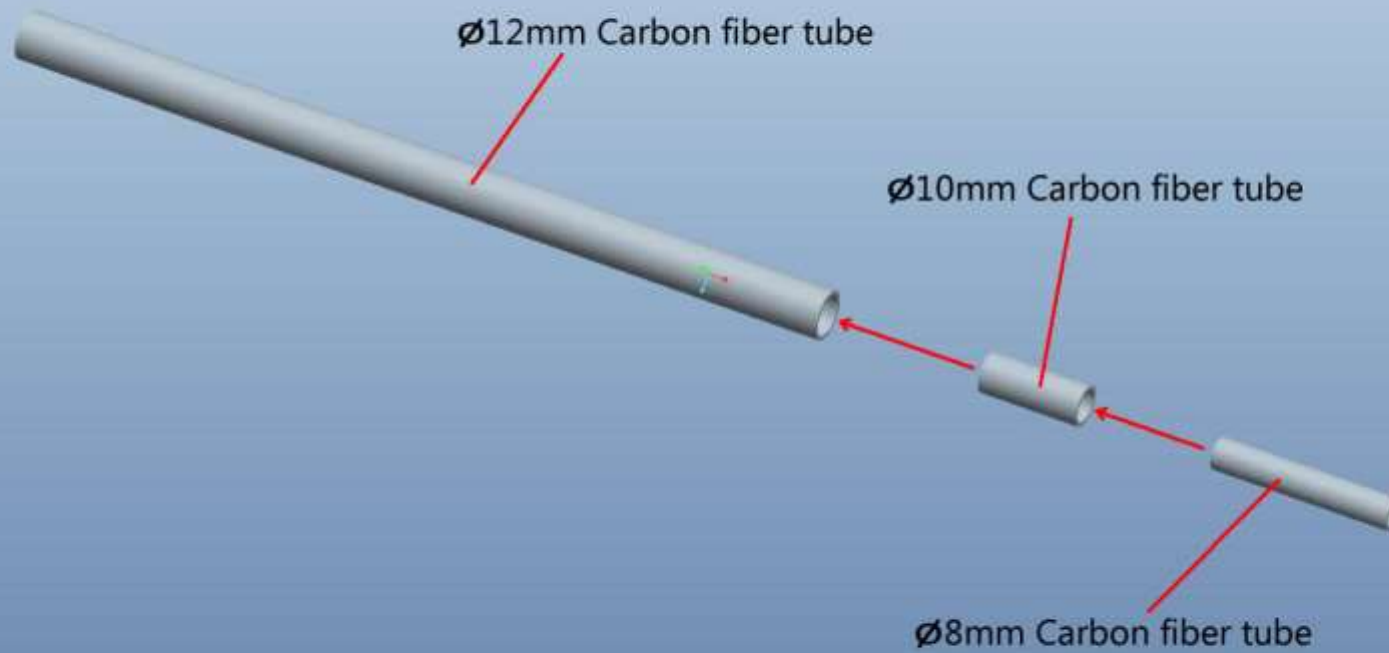
step 3

Fix with M2x8mm
tapping screw

Fix with M2x8mm
tapping screw

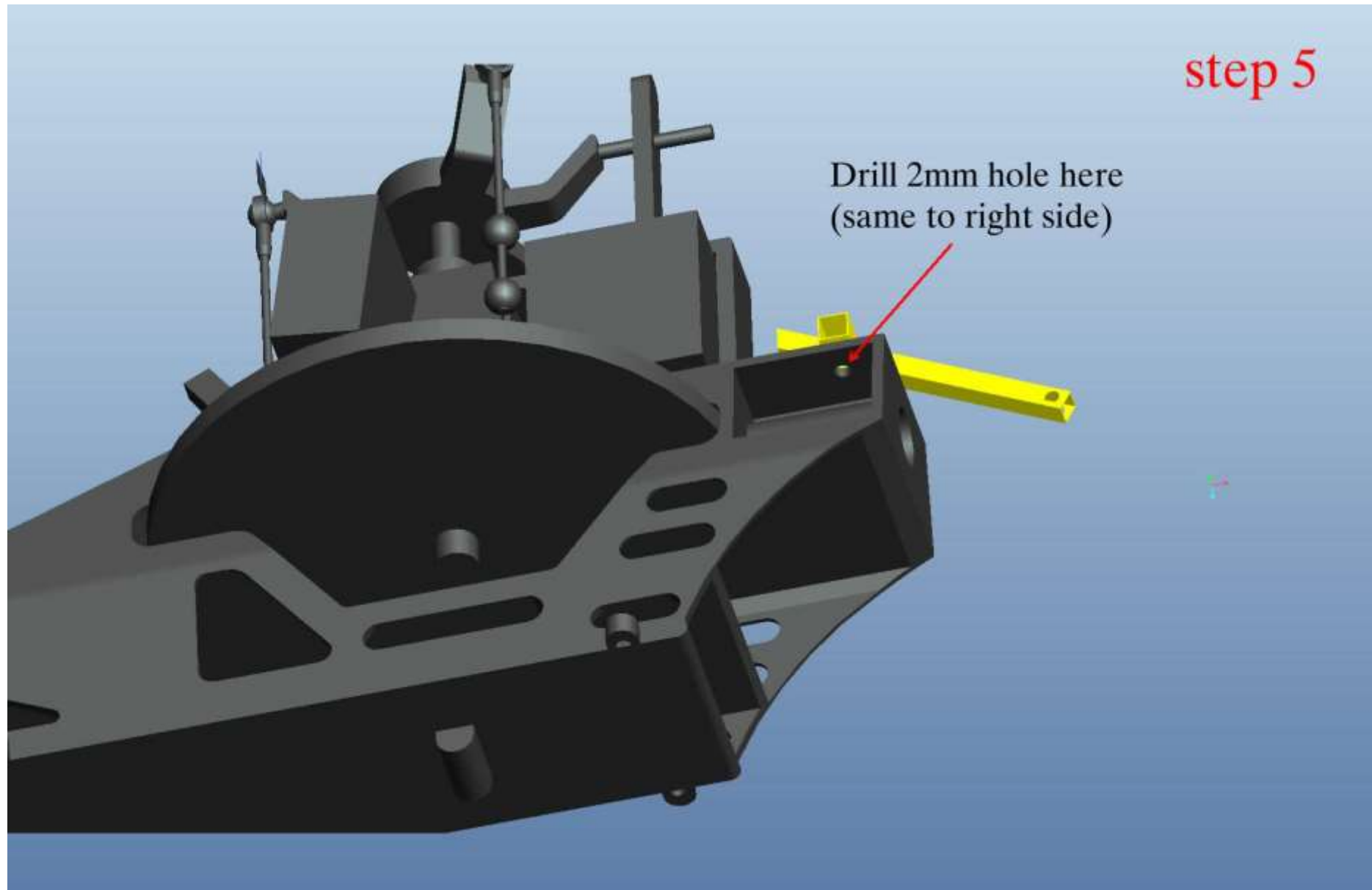


step 4



The picture after step 4

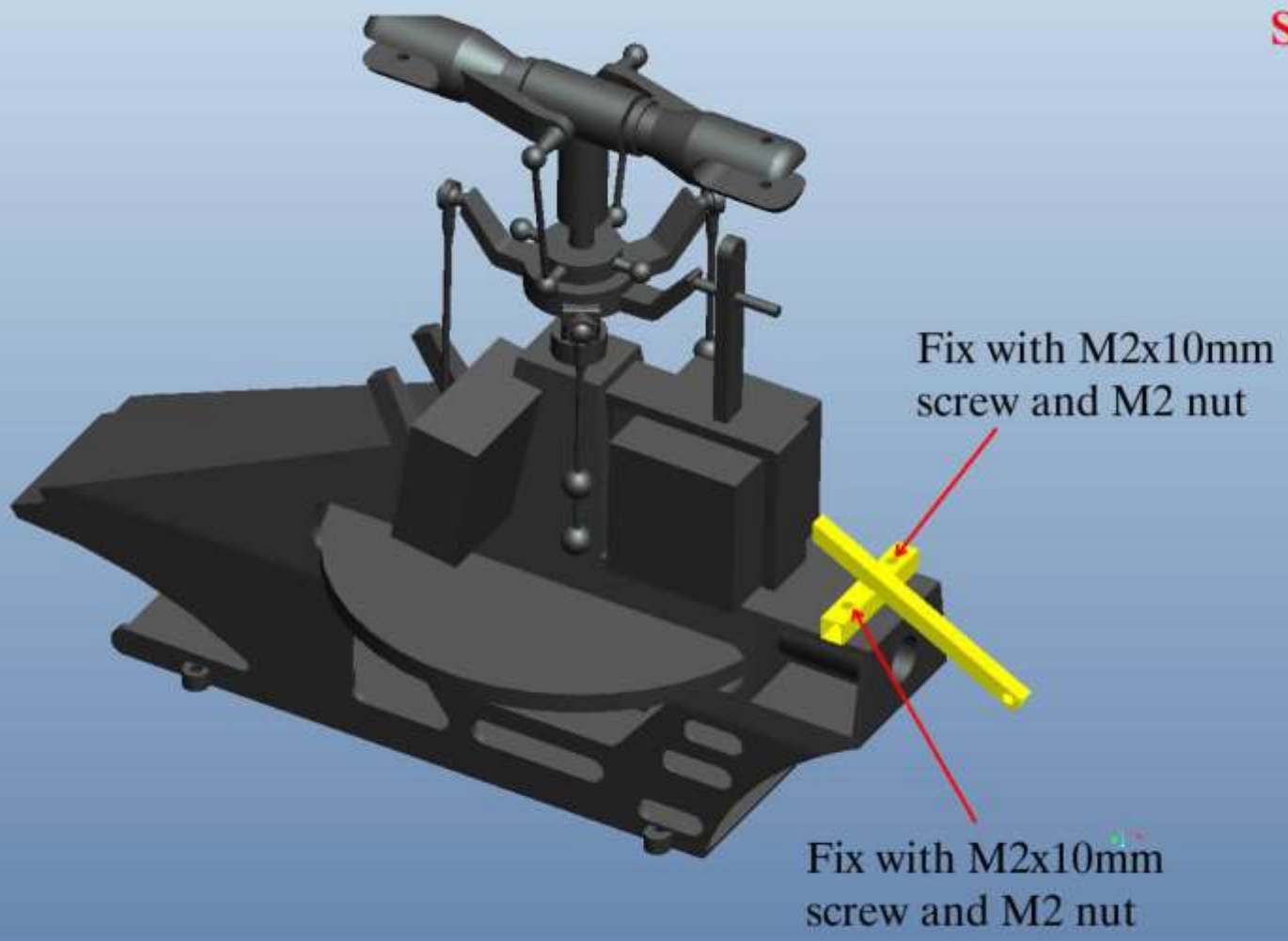


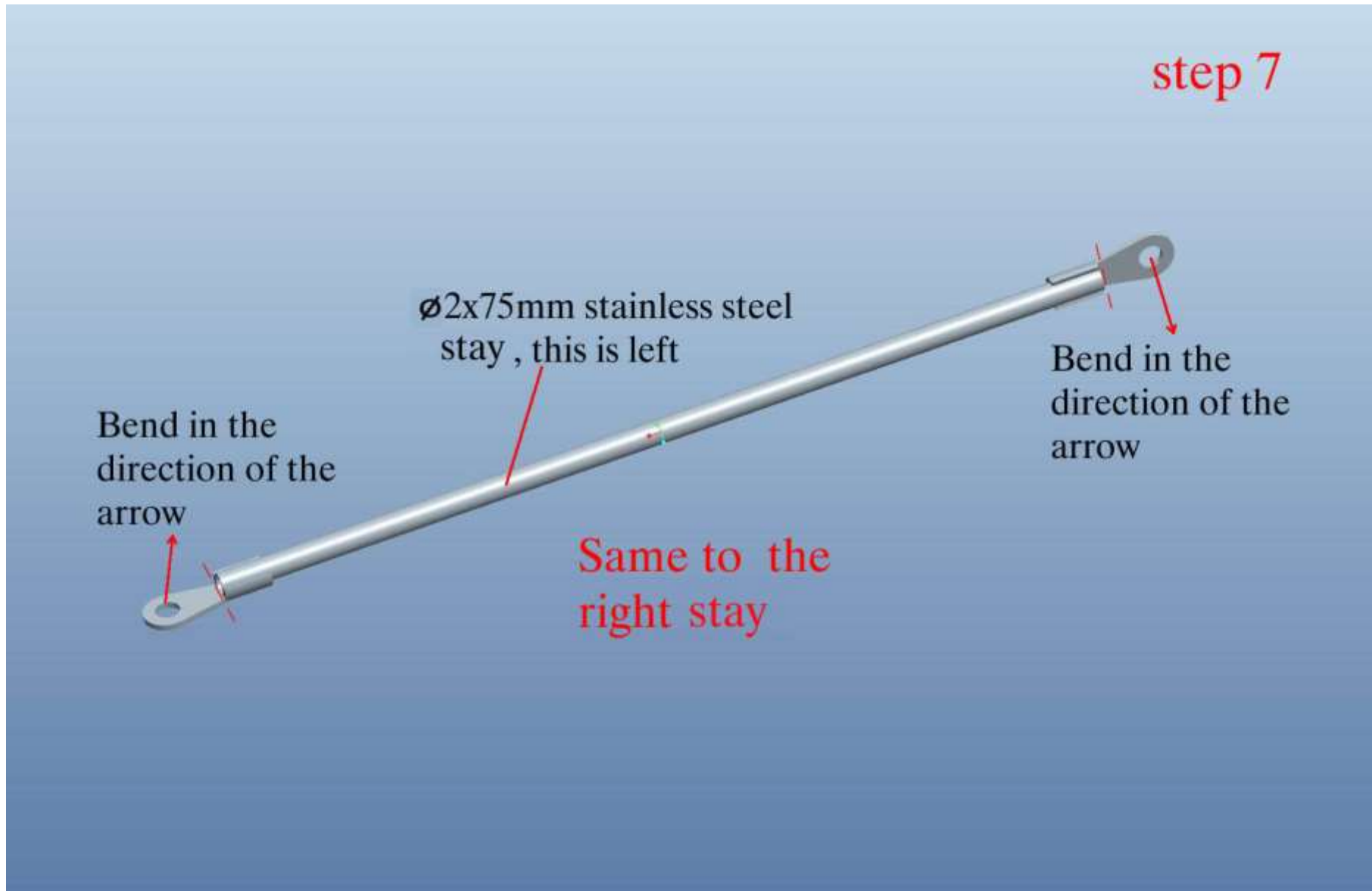


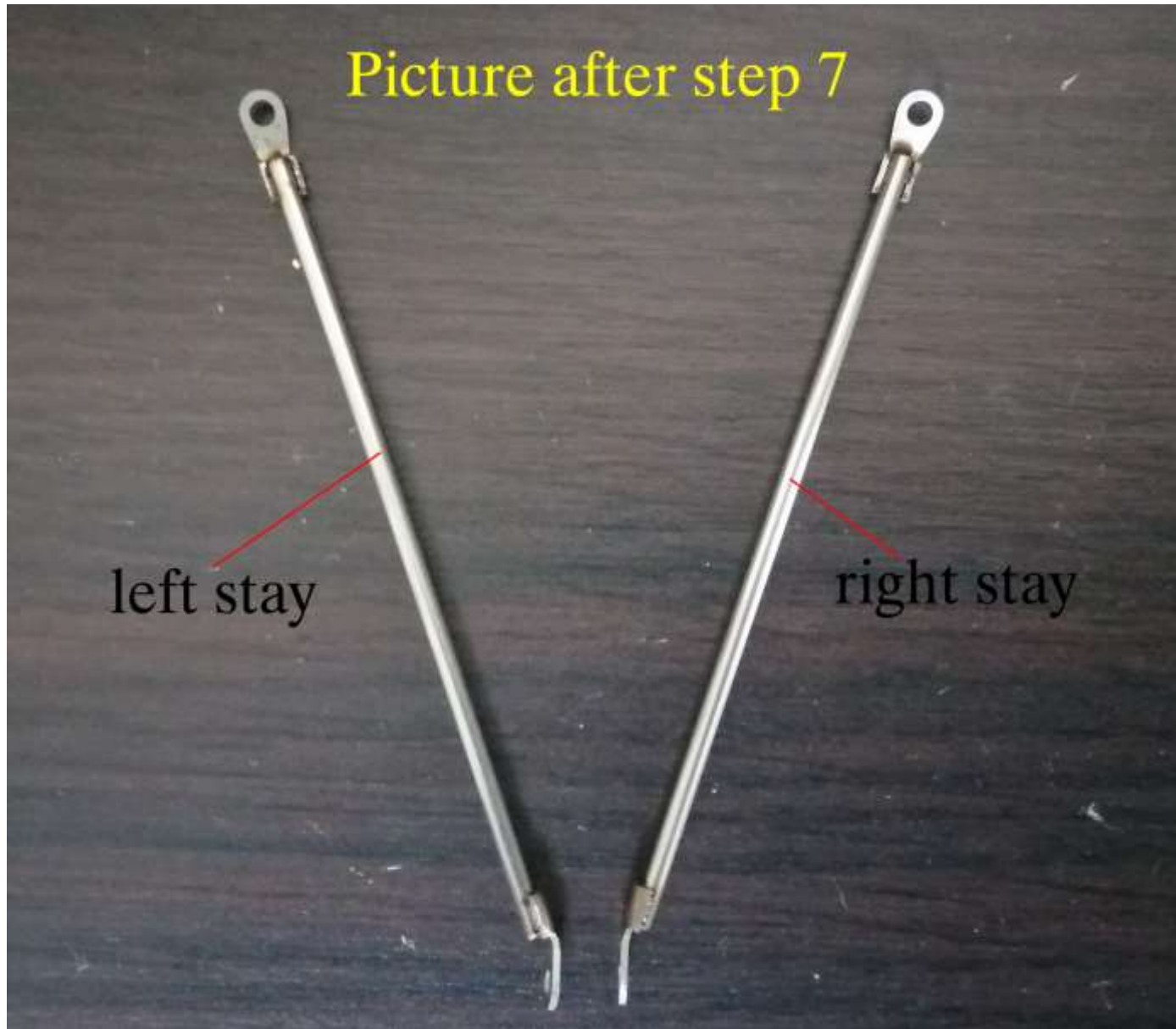
step 5

Drill 2mm hole here
(same to right side)

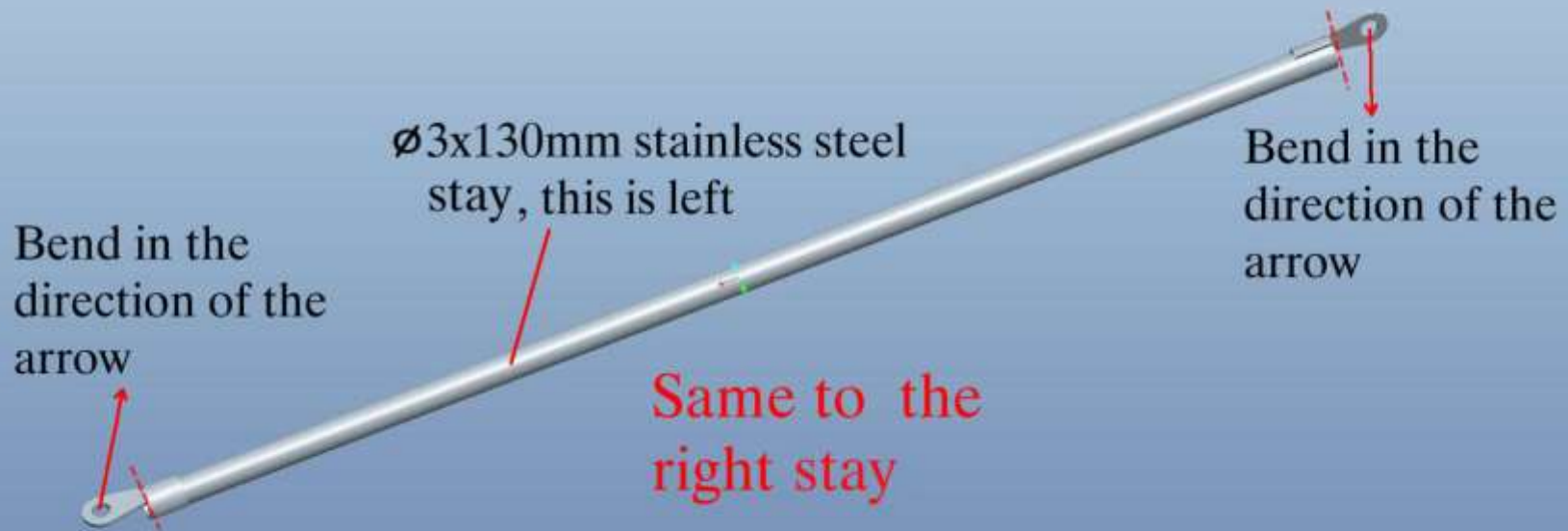
step 6

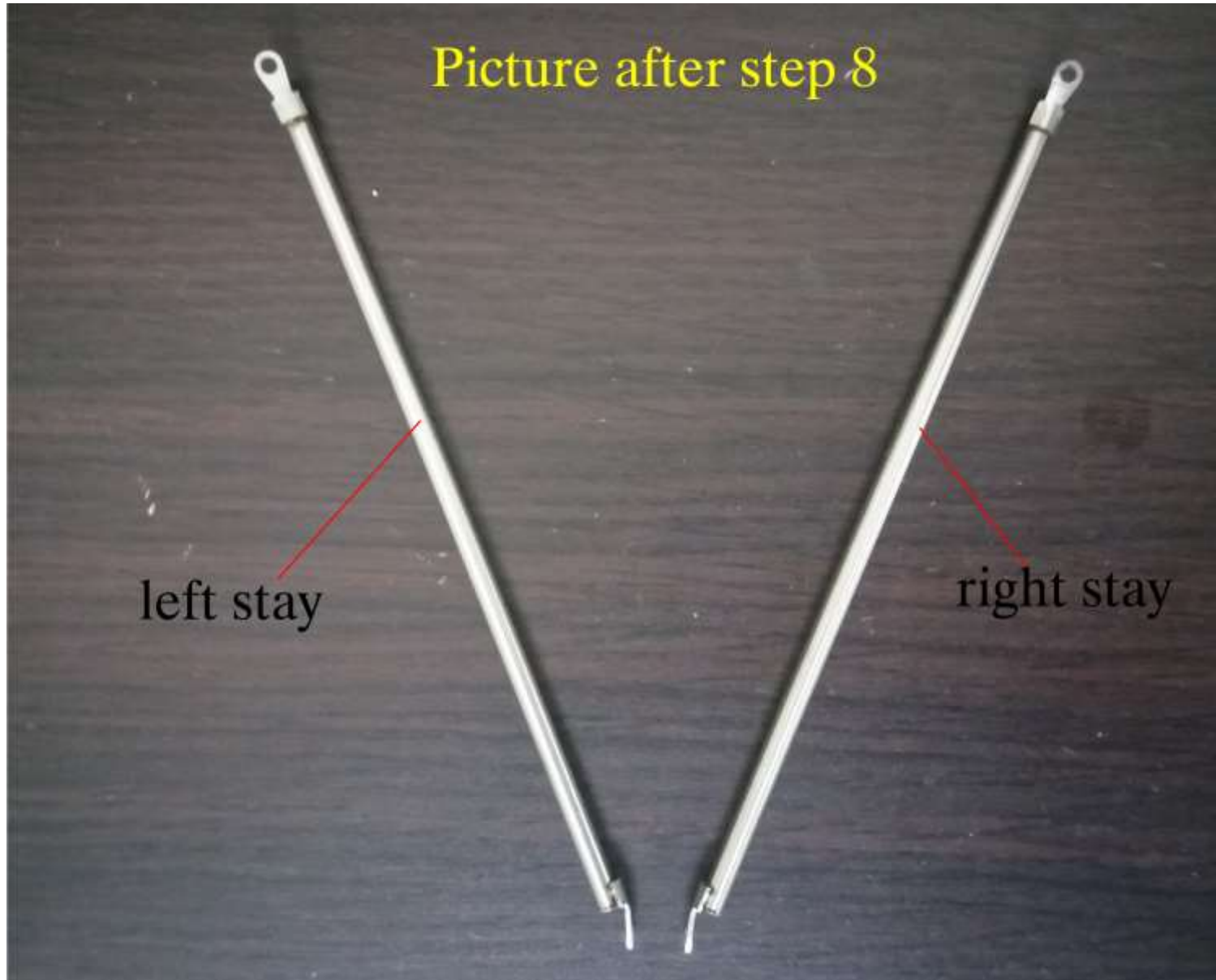




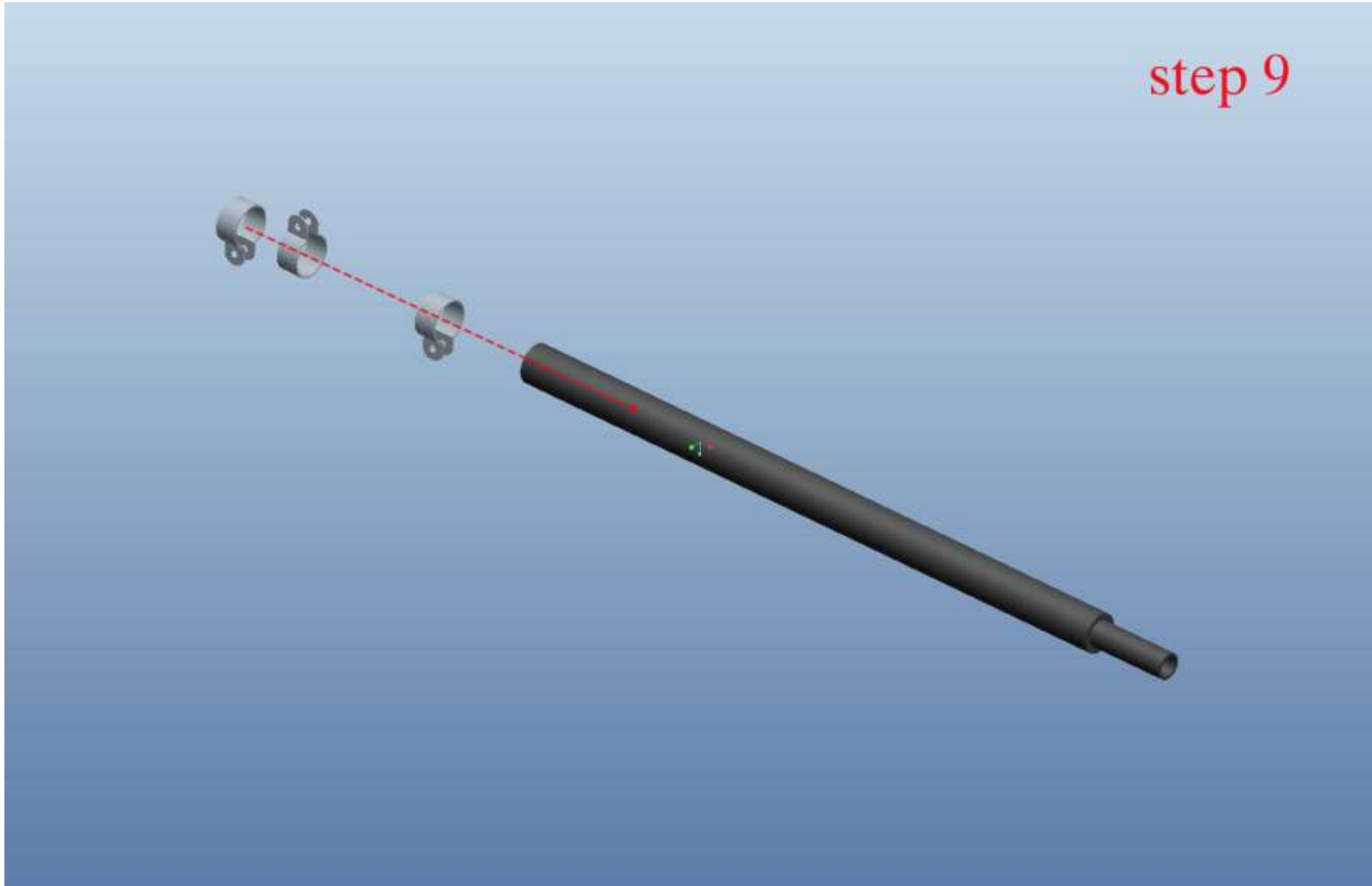


step 8

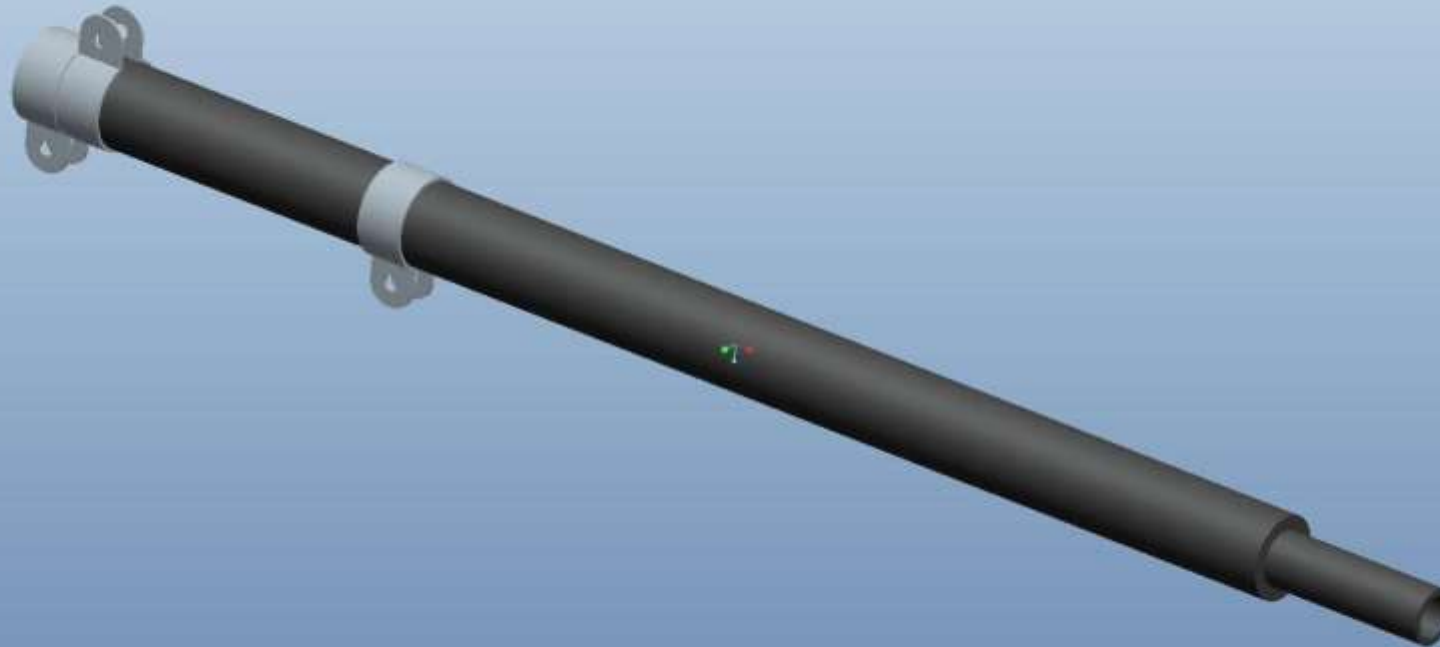


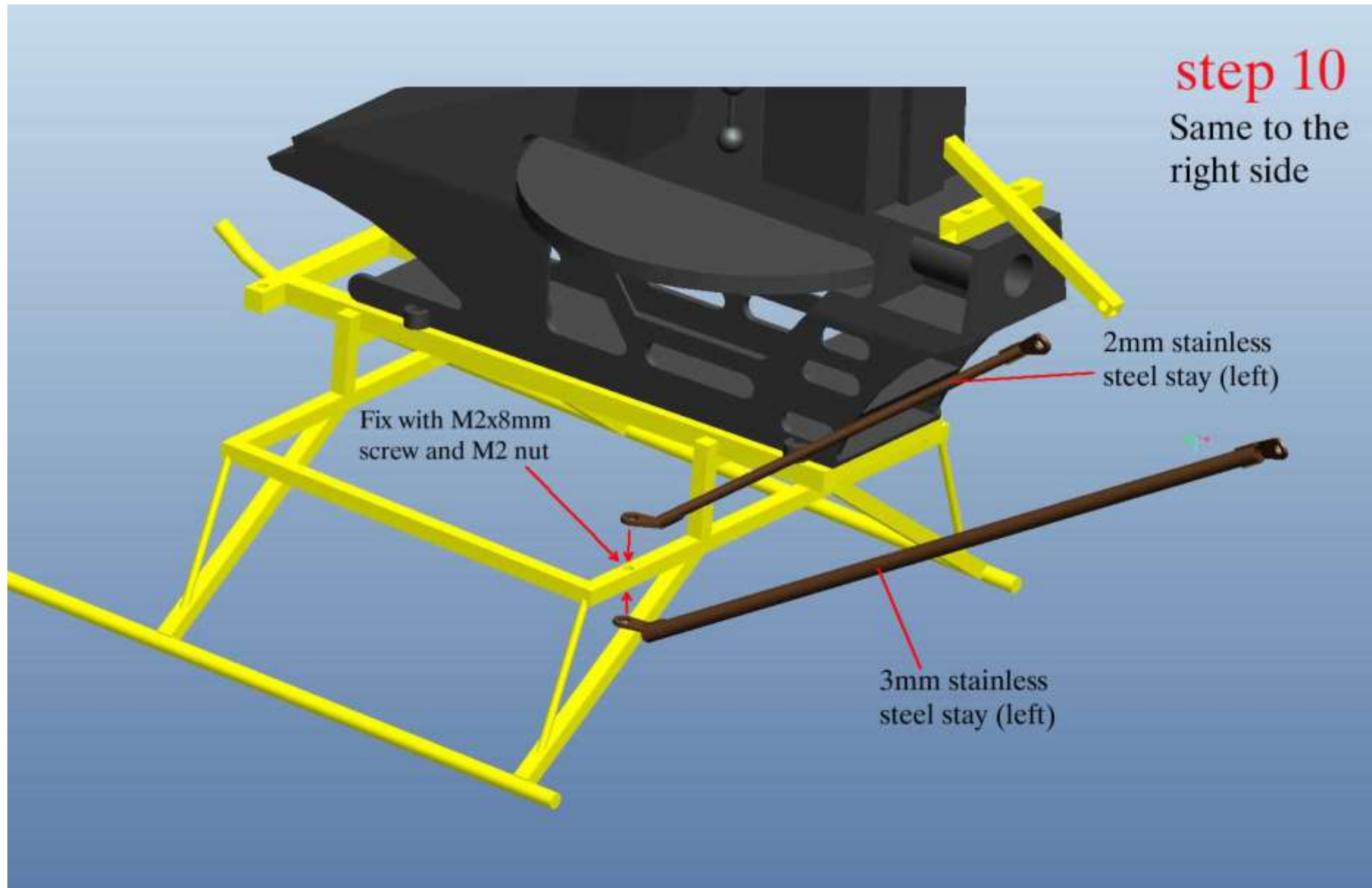


step 9



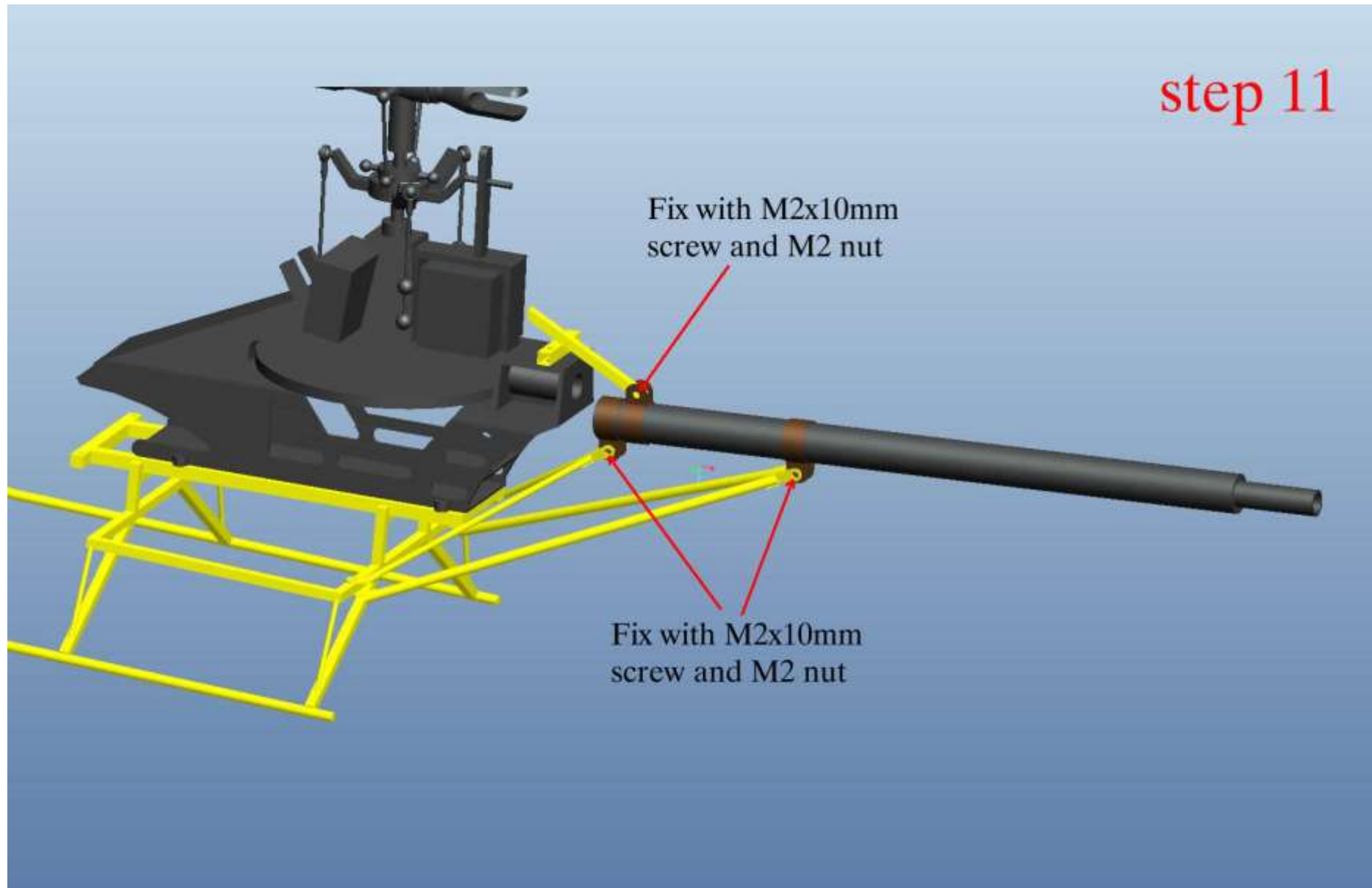
Picture after step 9





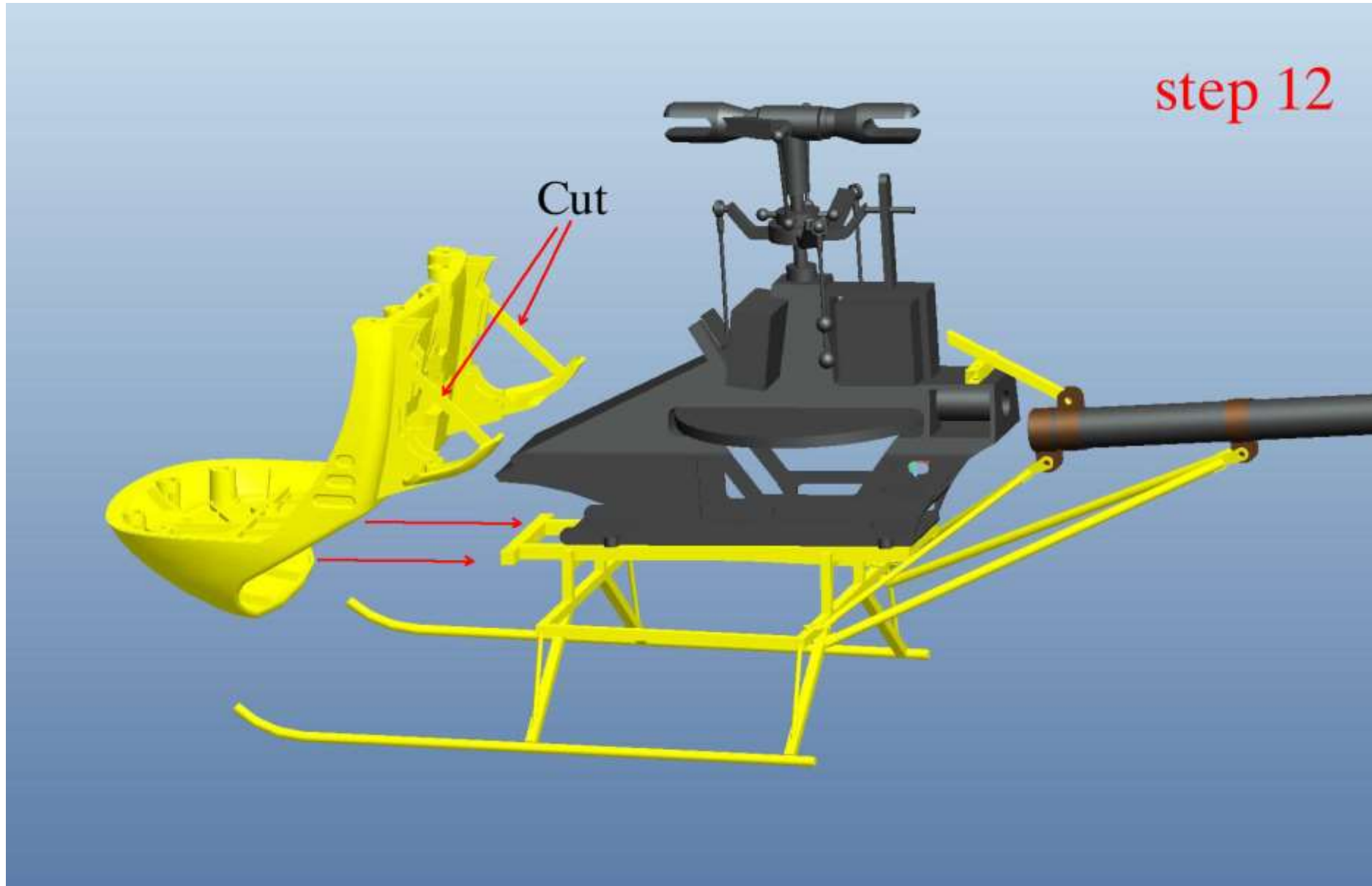


step 11

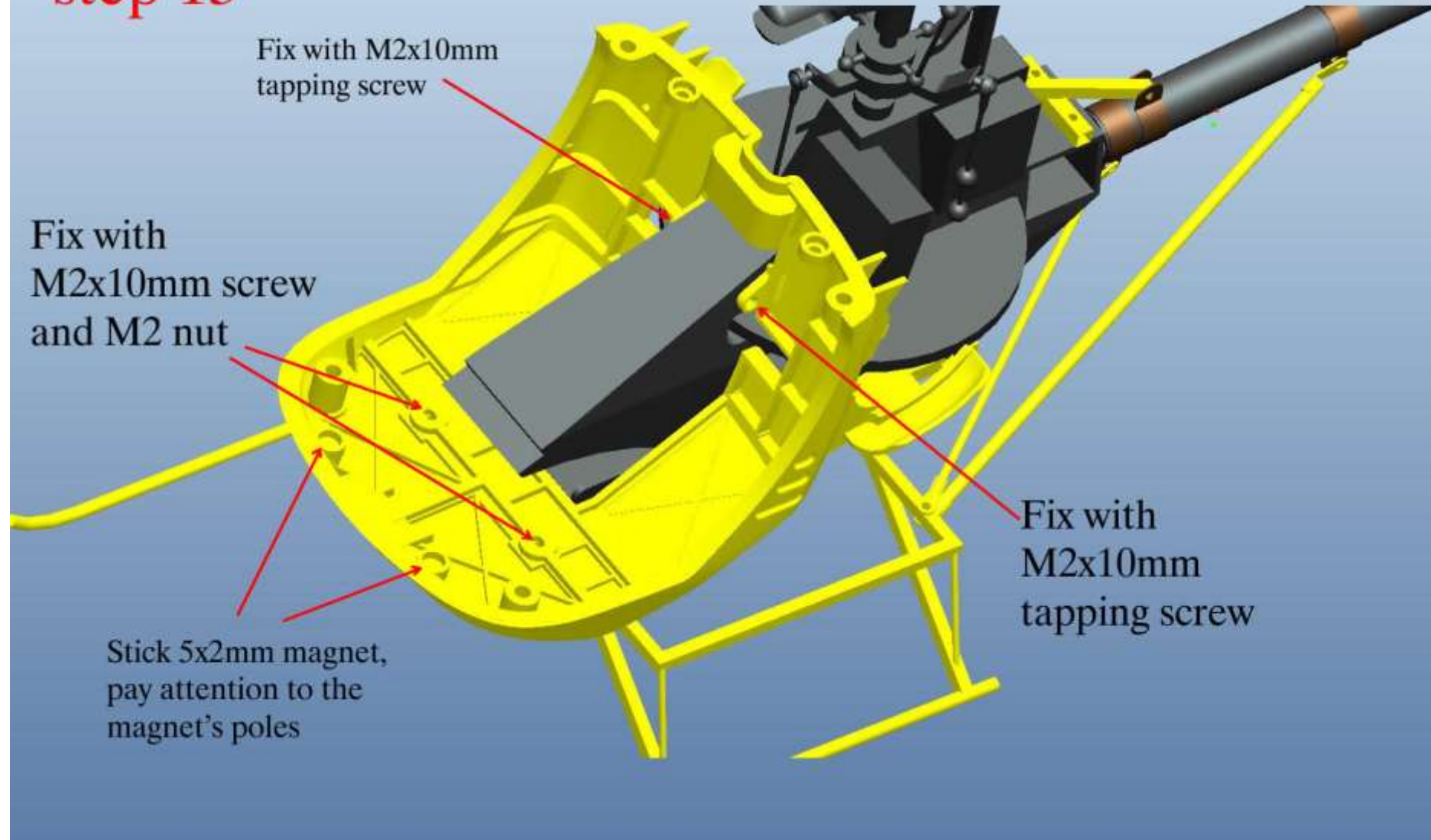


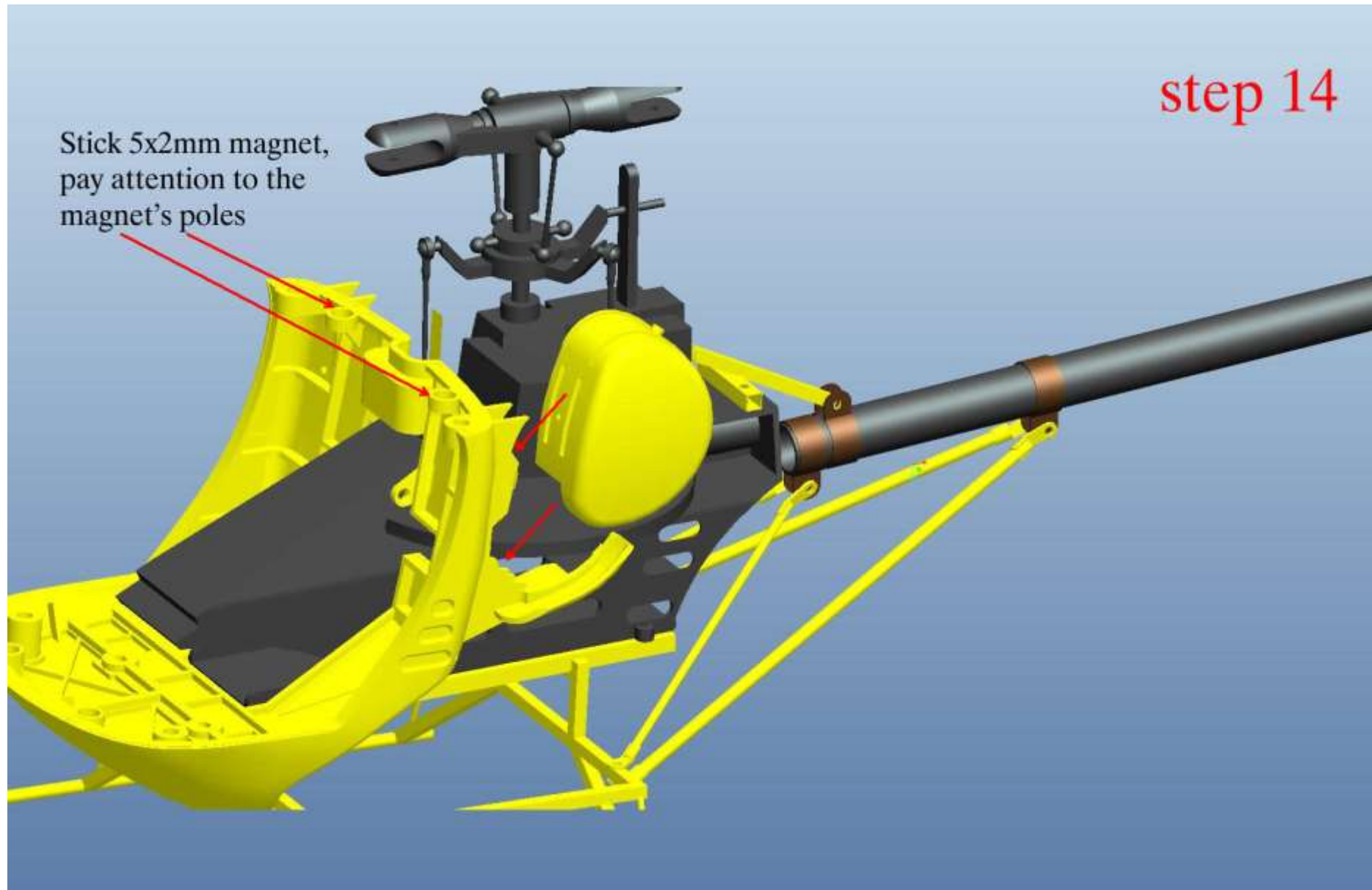


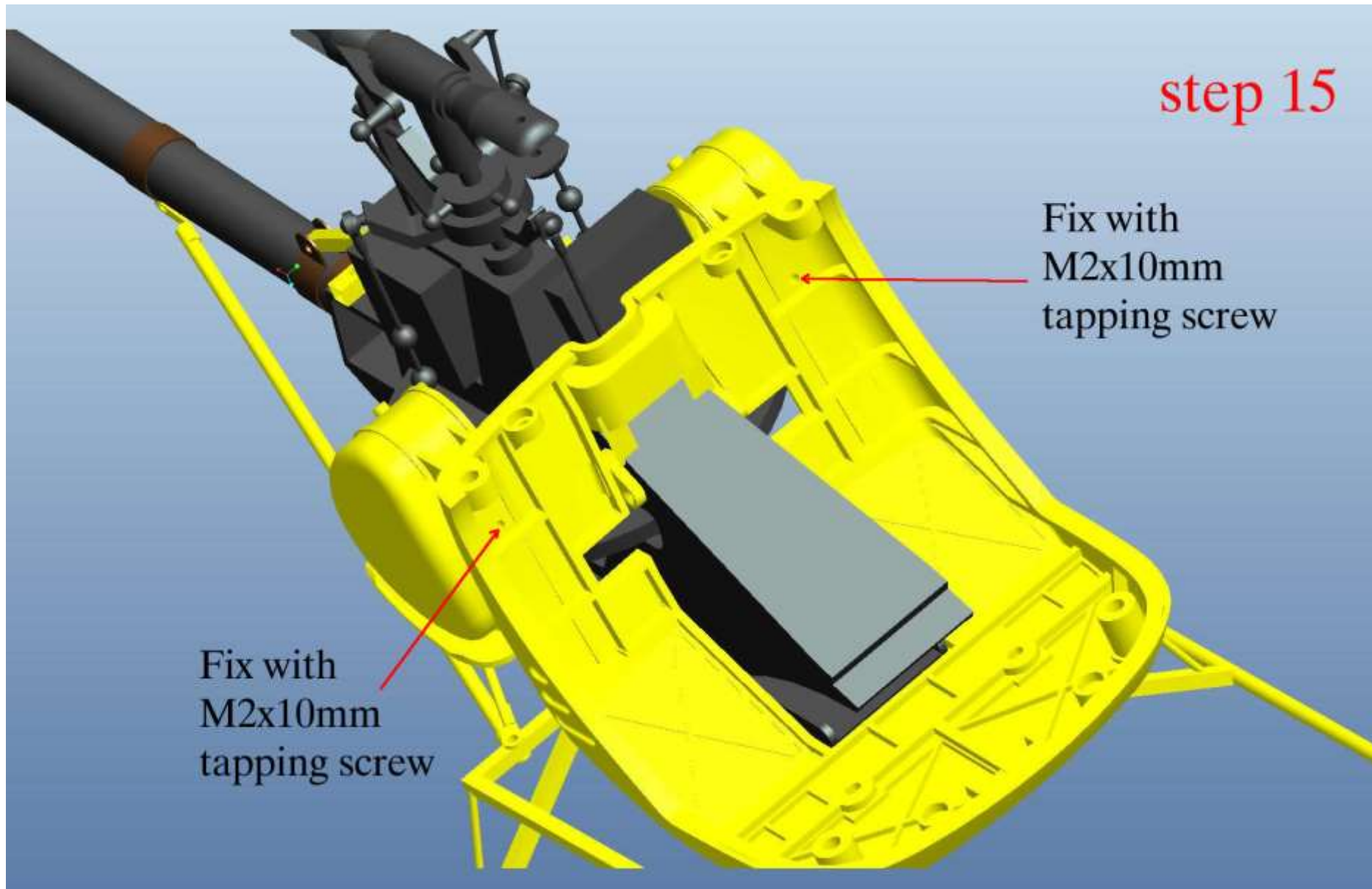
Picture after
step 11



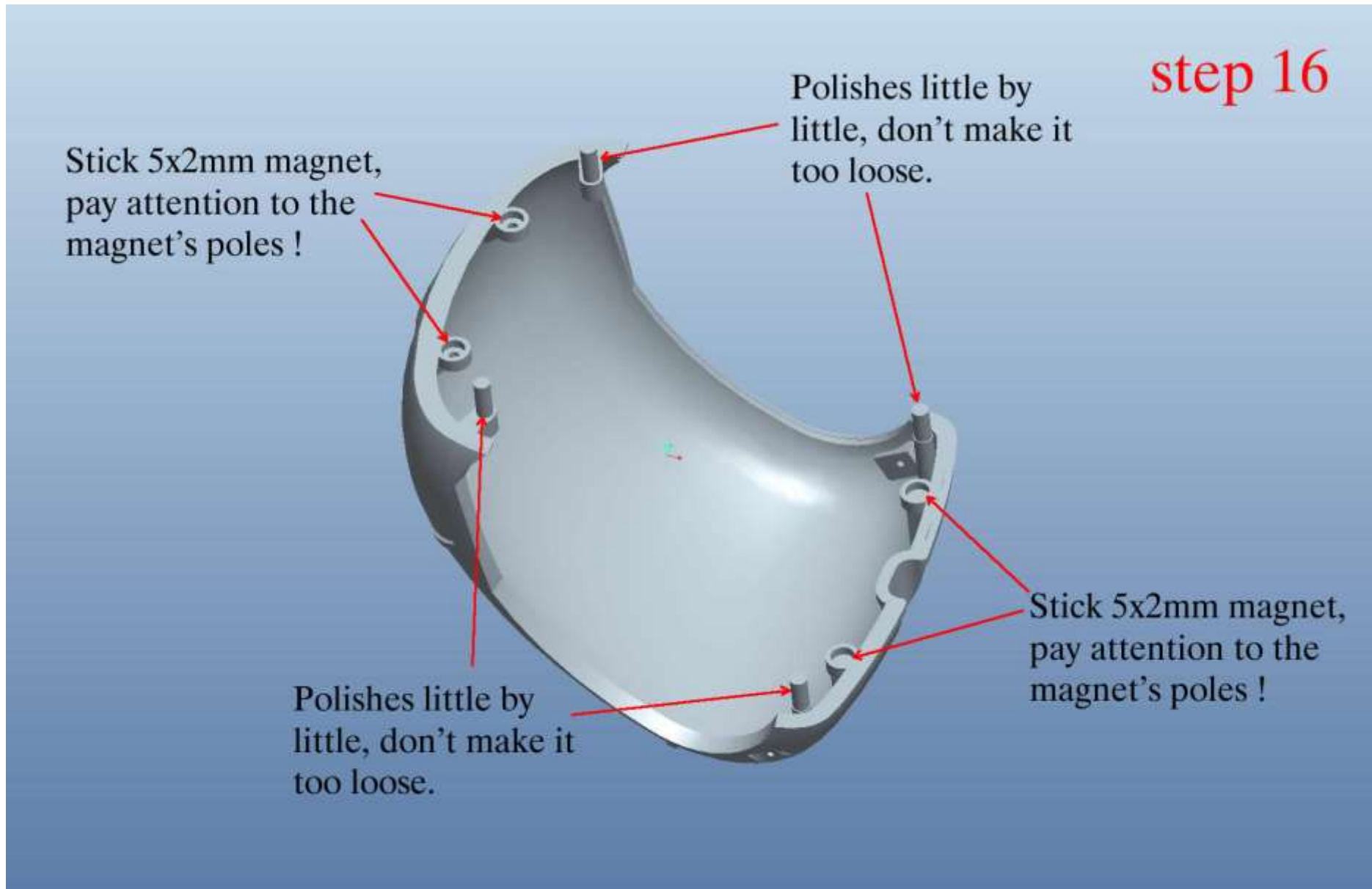
step 13



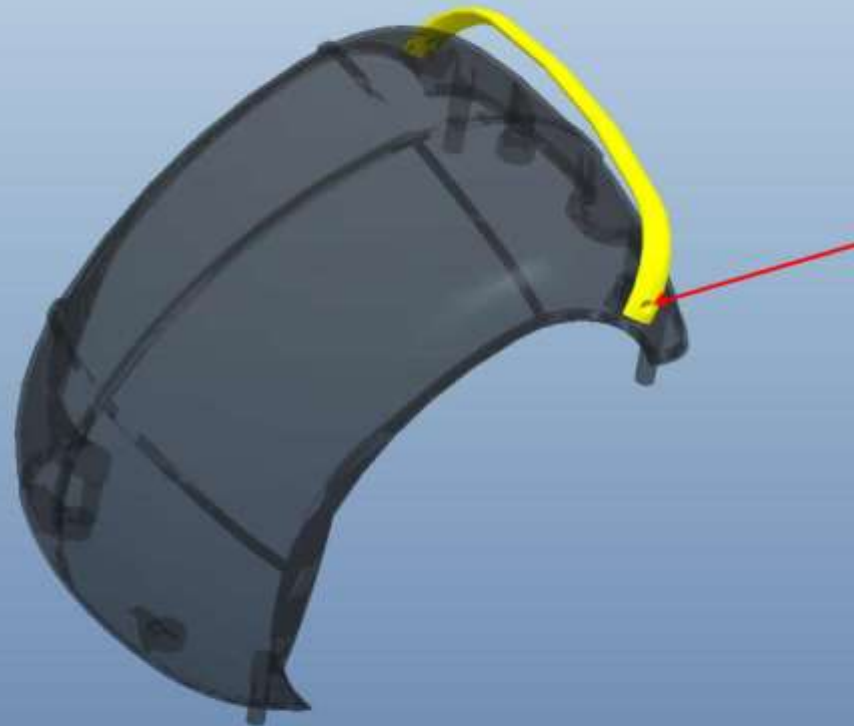




step 16



step 17

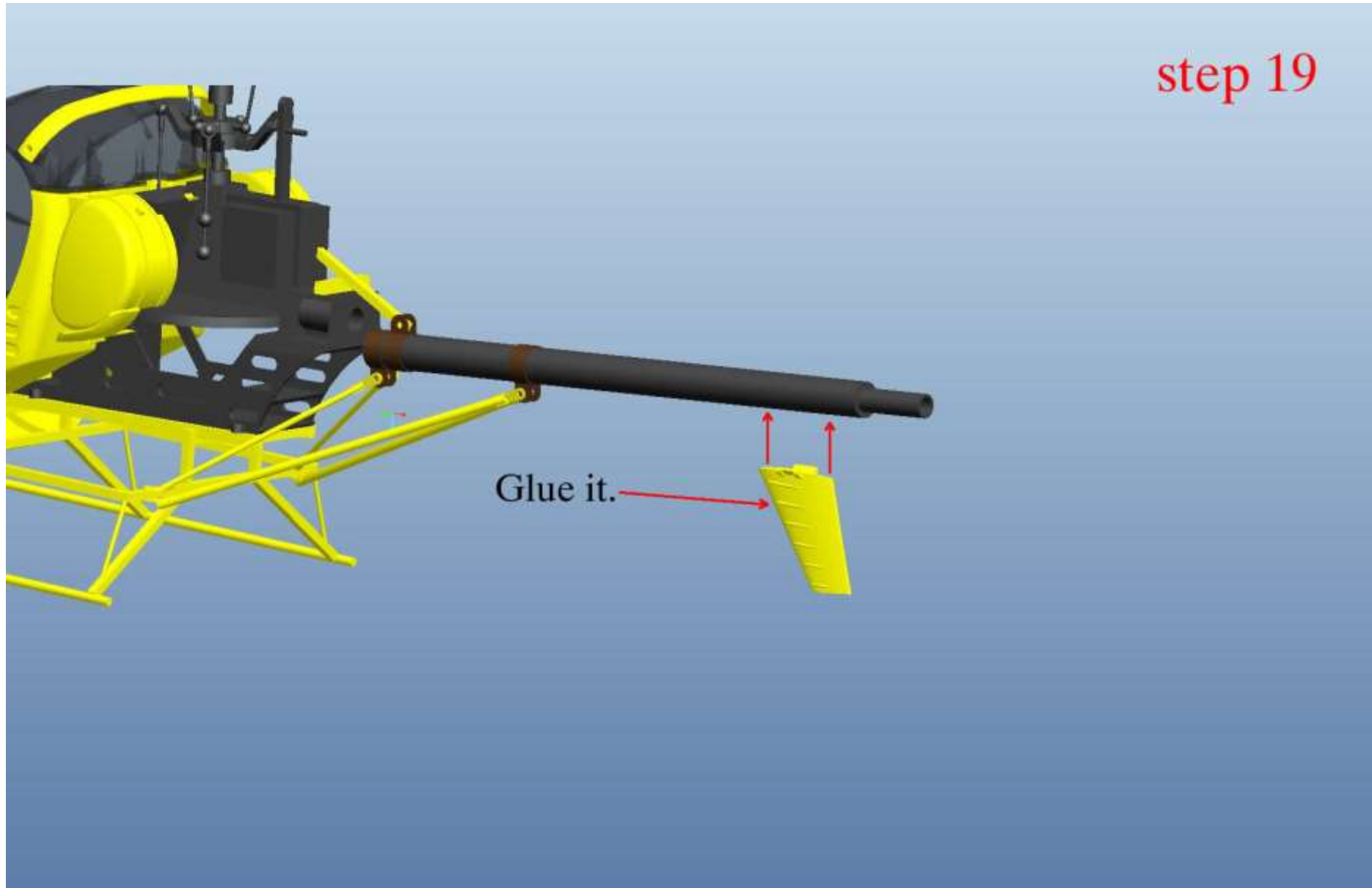


Fix with
M2x8mm
tapping screw,
same to right
side.

step 18



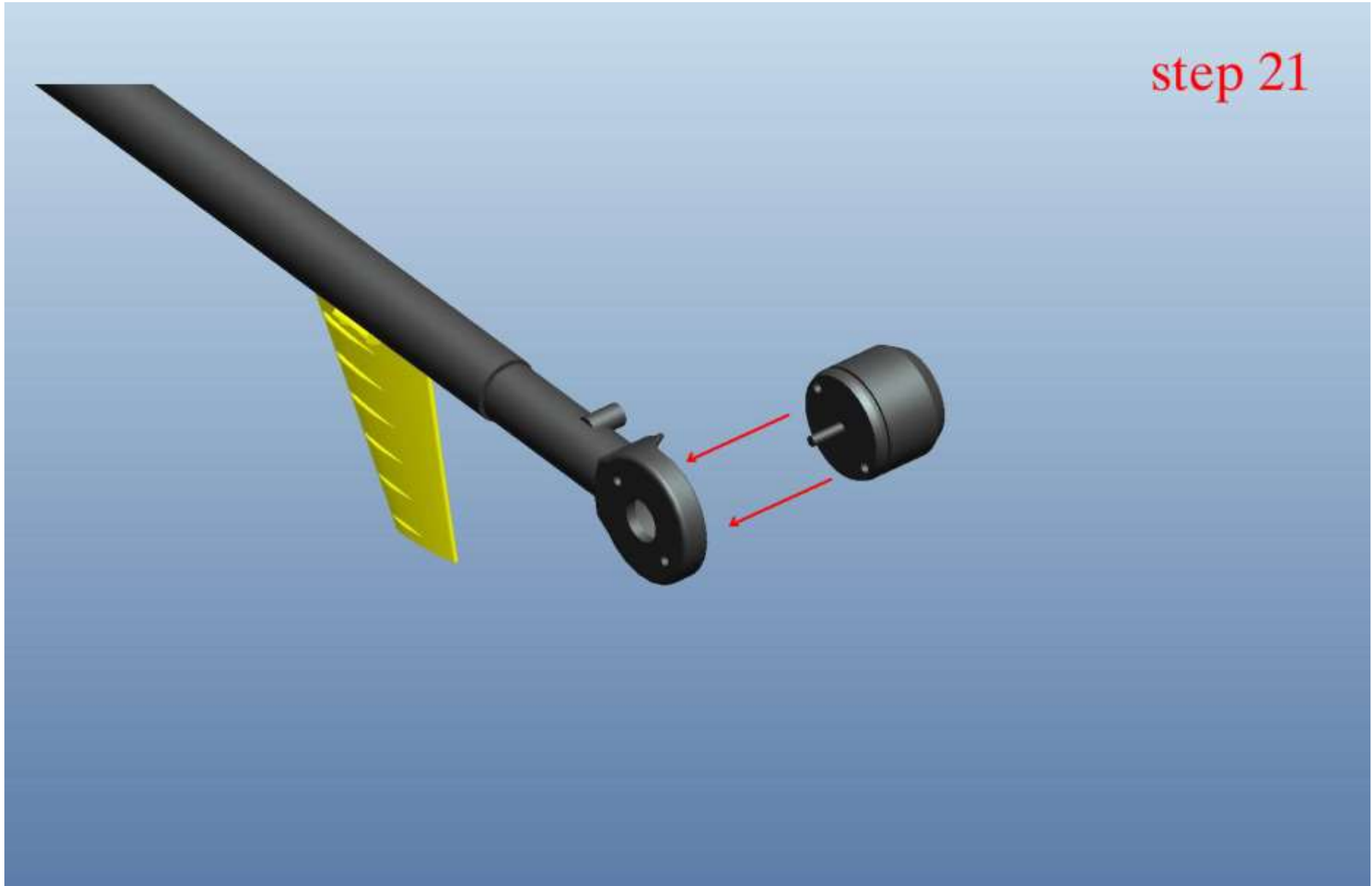
step 19



step 20

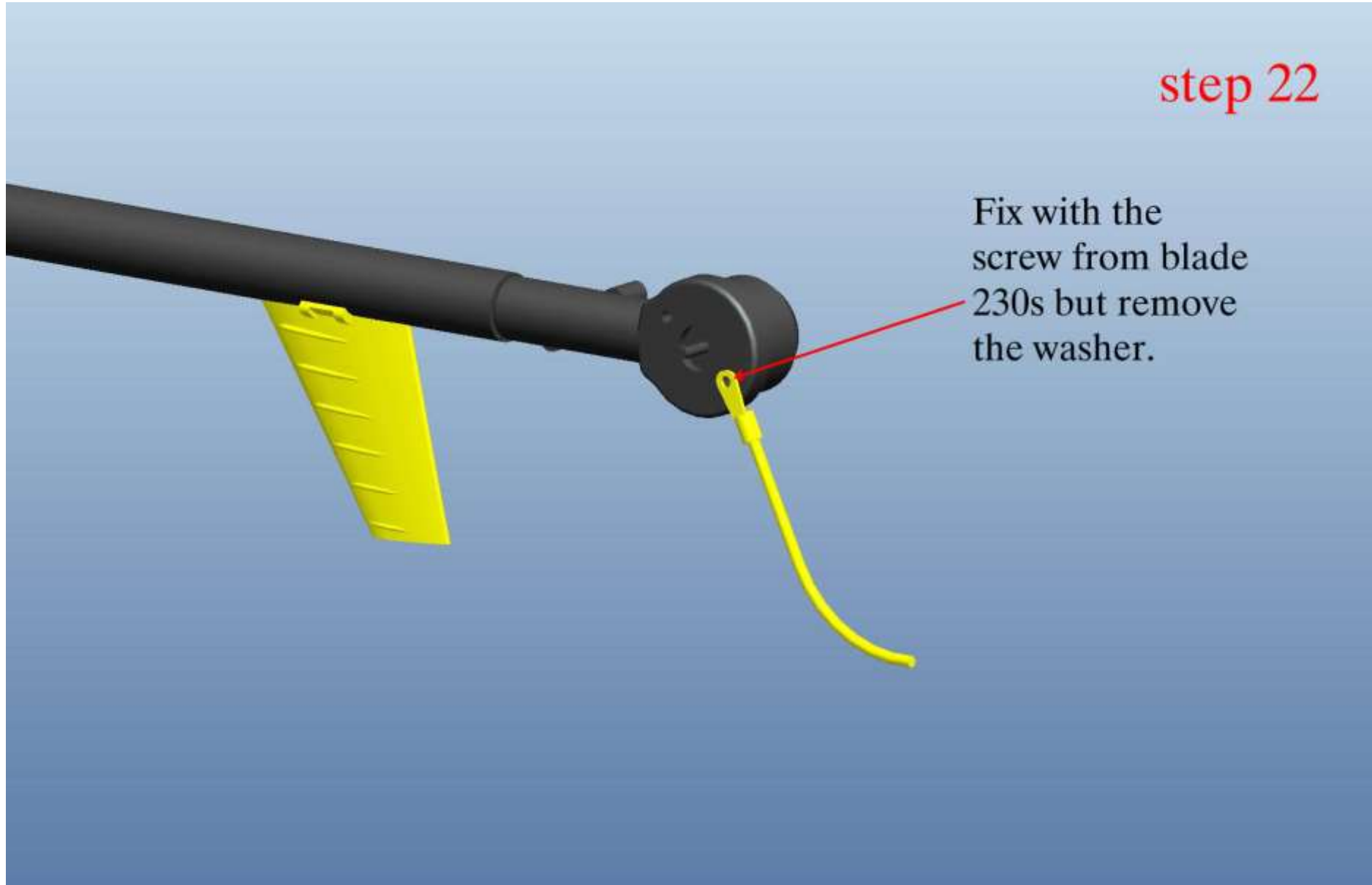


step 21

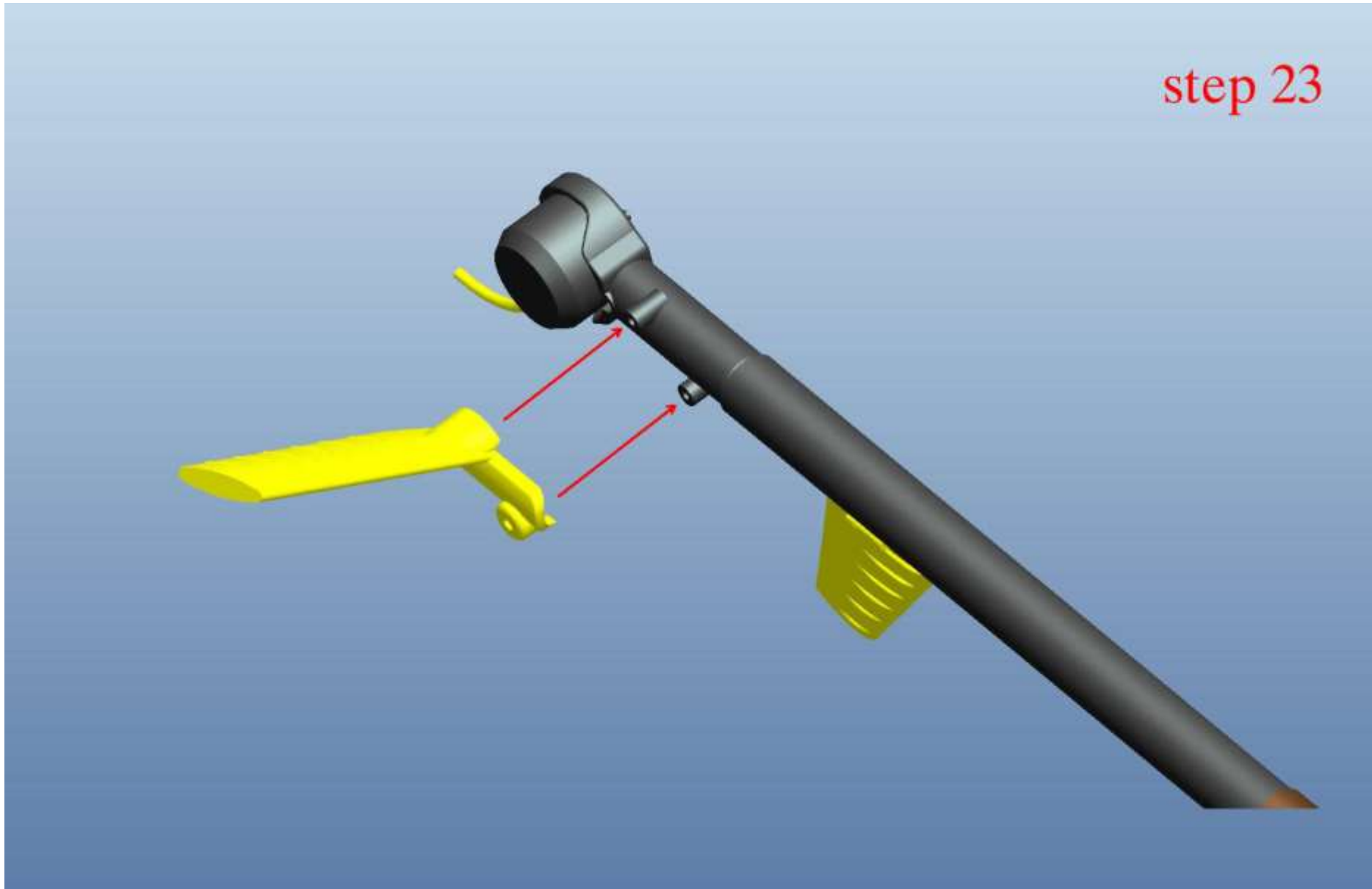


step 22

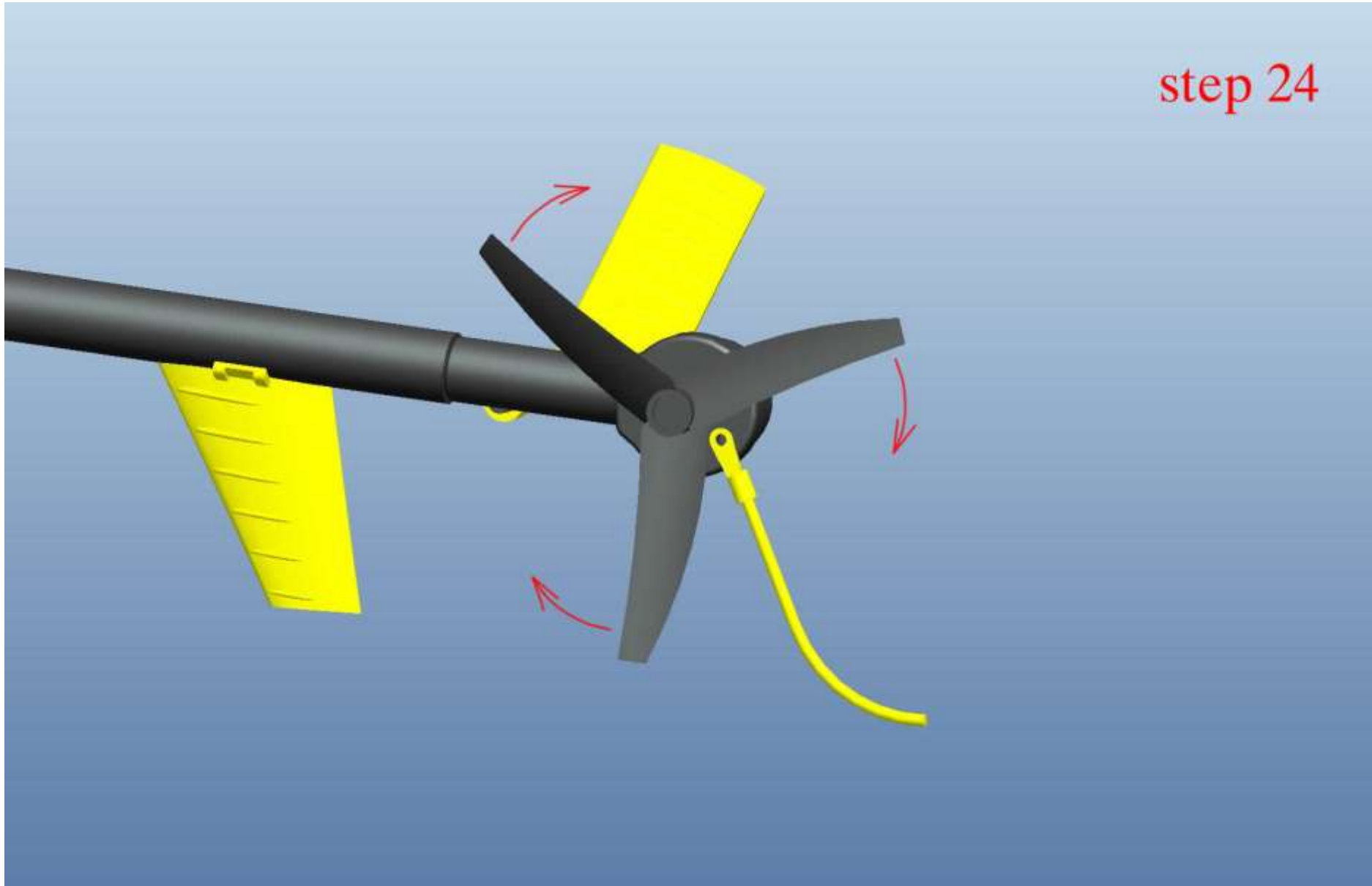
Fix with the screw from blade 230s but remove the washer.



step 23



step 24



Bauanleitung K2S300 / Hughes 300 230er Größe für Blade 230S



Bauanleitung K2S300 / Hughes 300 230er Größe für Blade 230S



