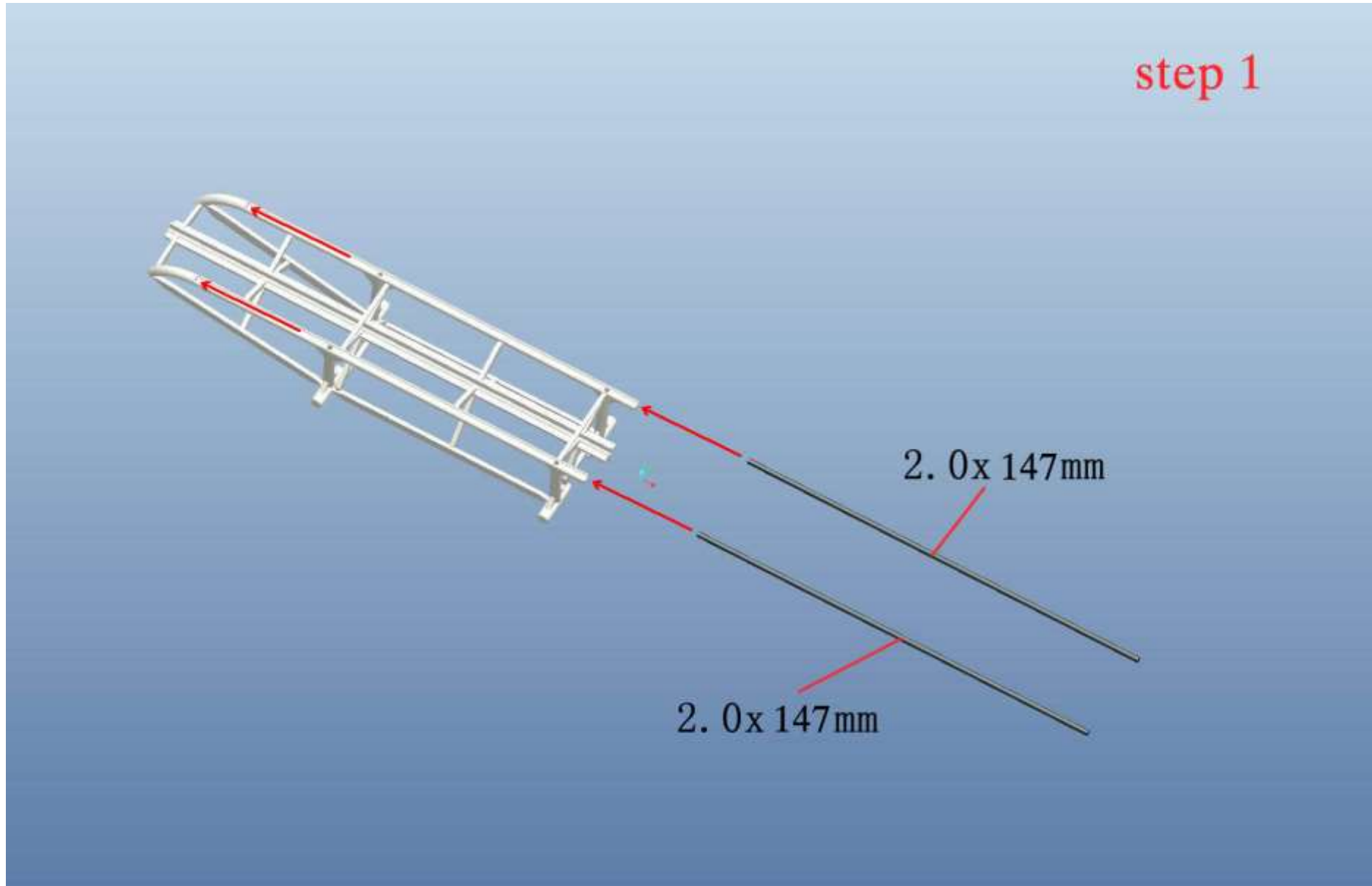
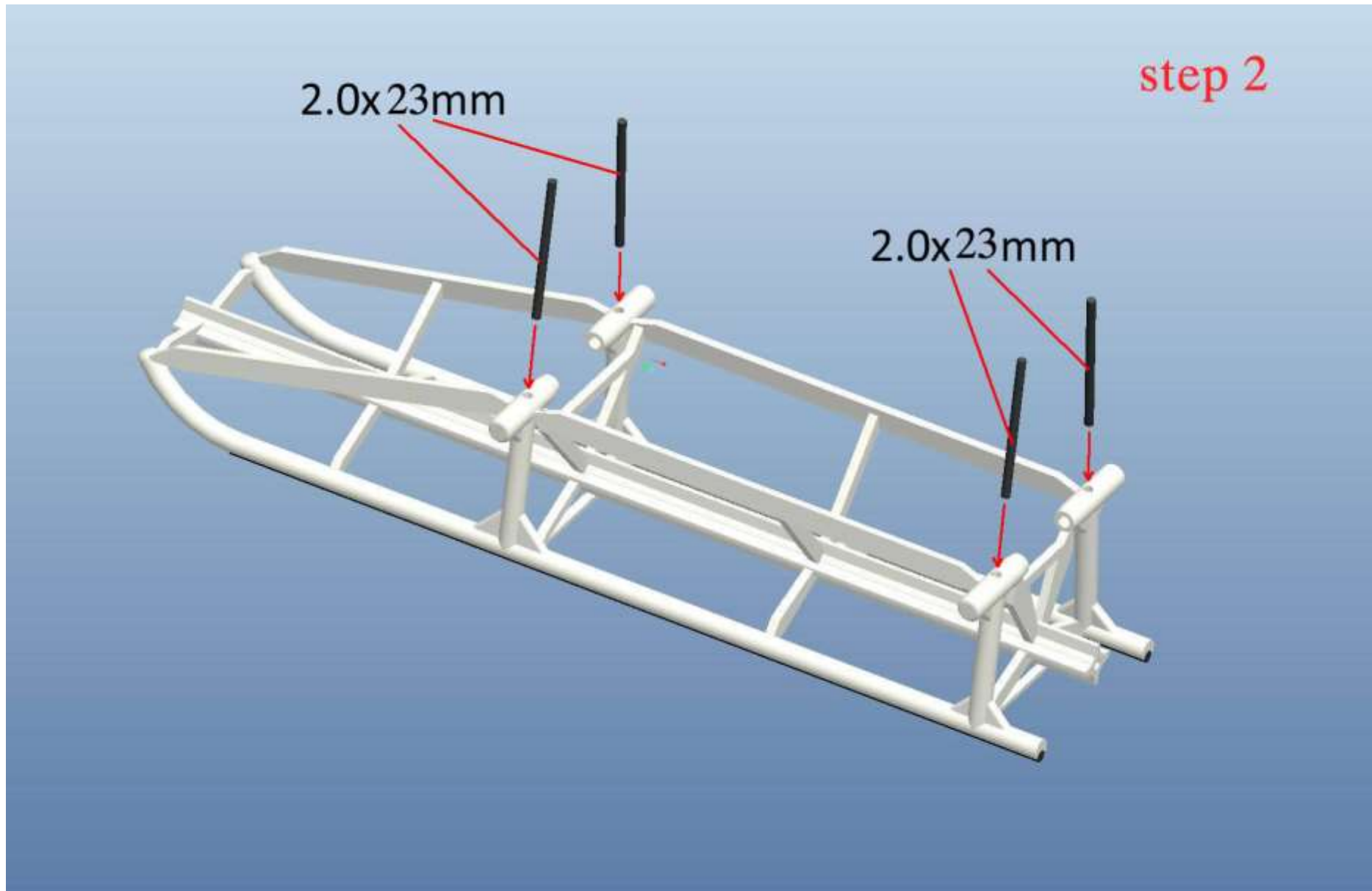
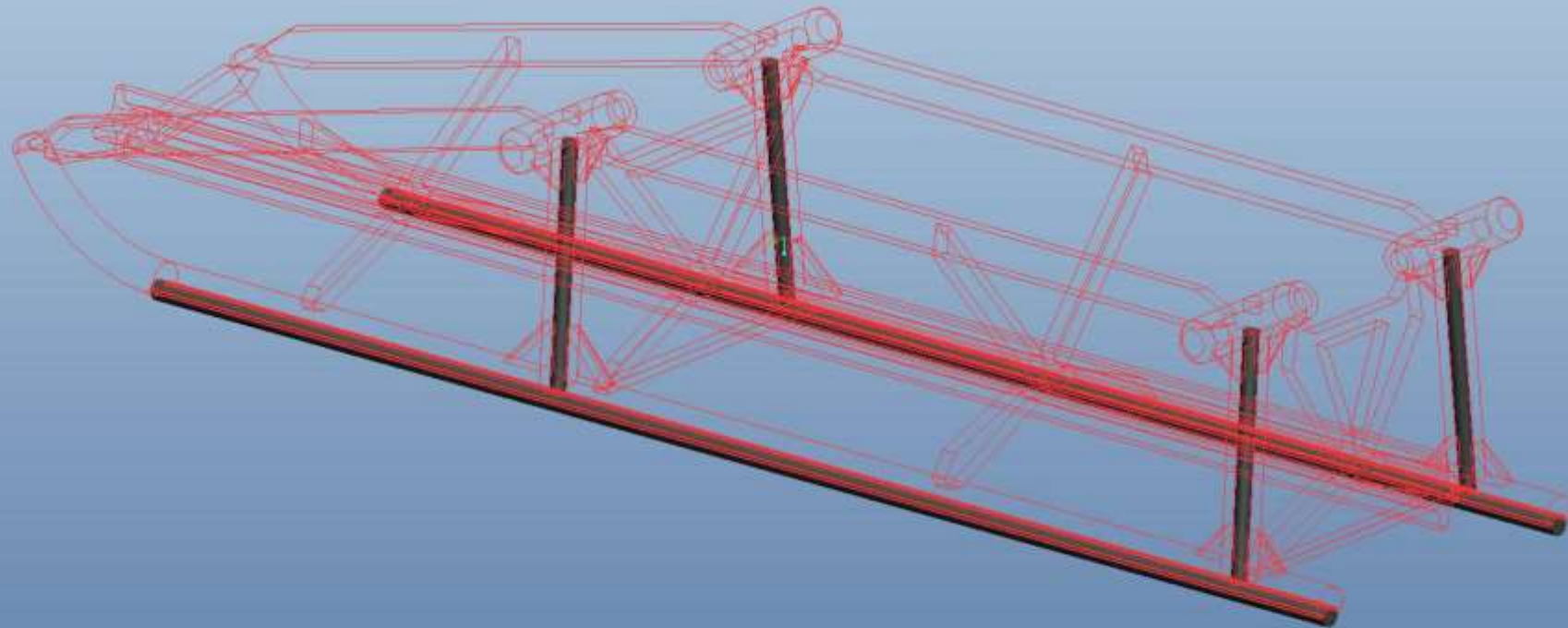


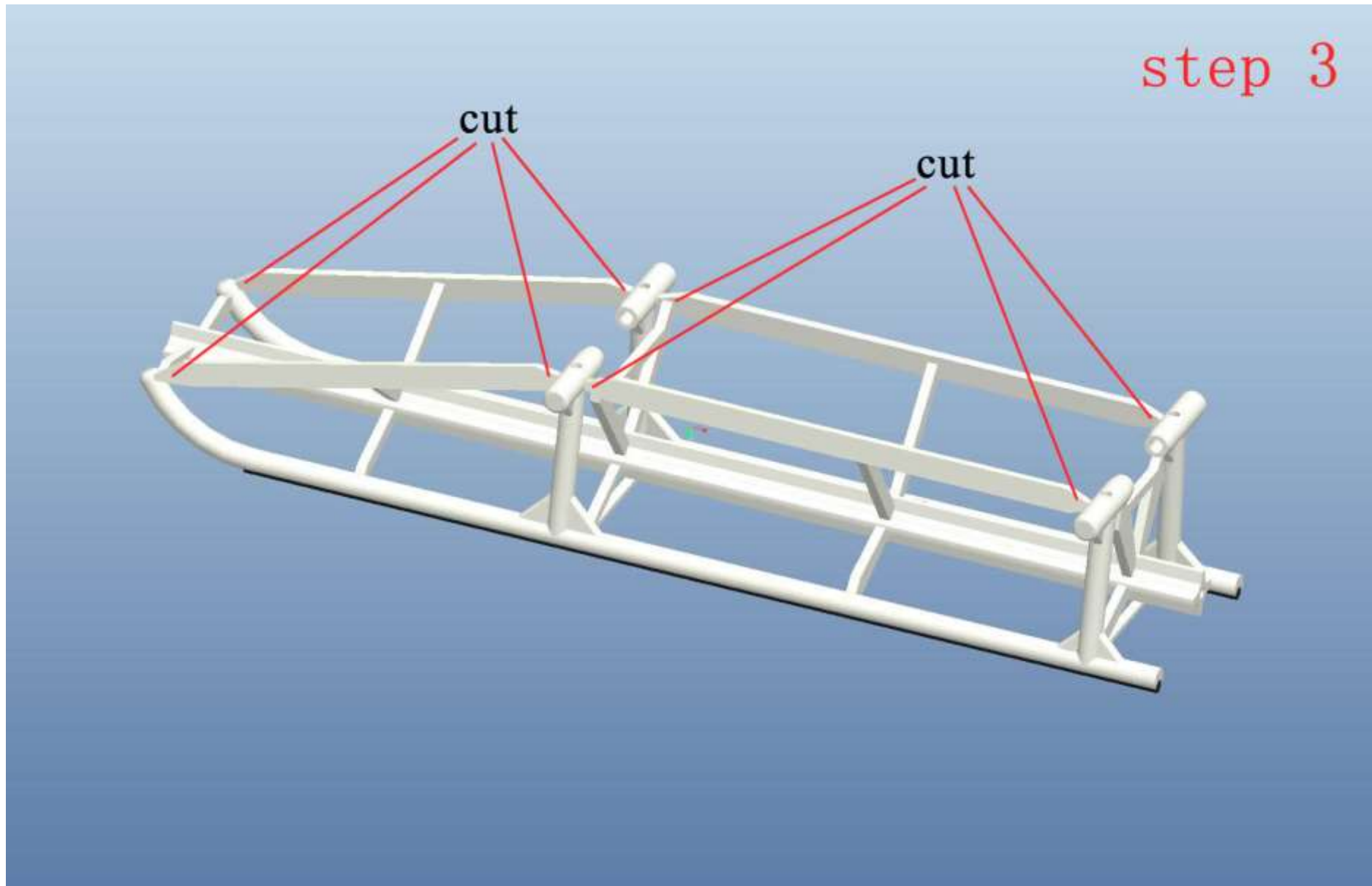
step 1

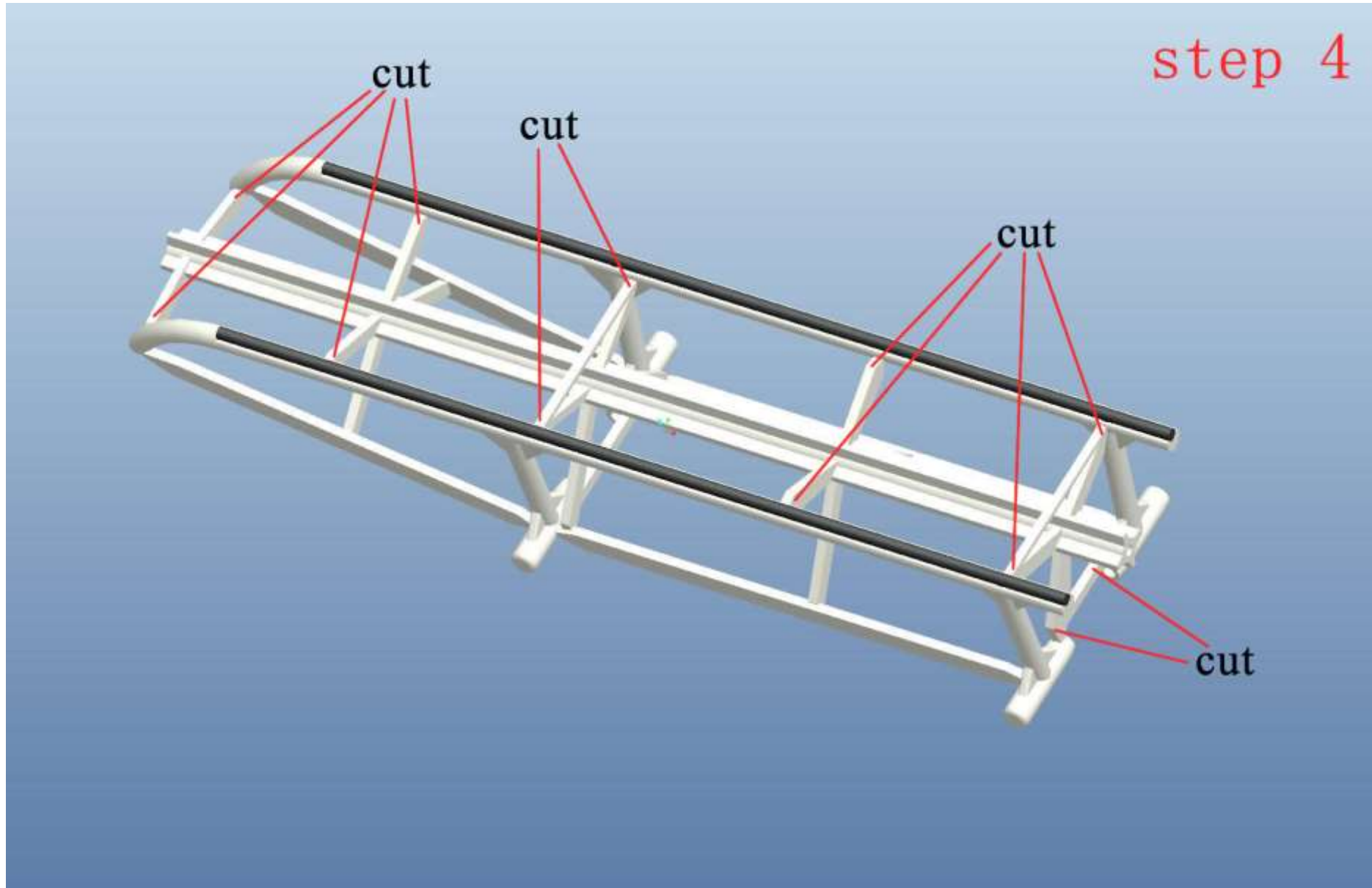




Carbon rod should be able to touch each other







The landing gear on
left side after cutting.

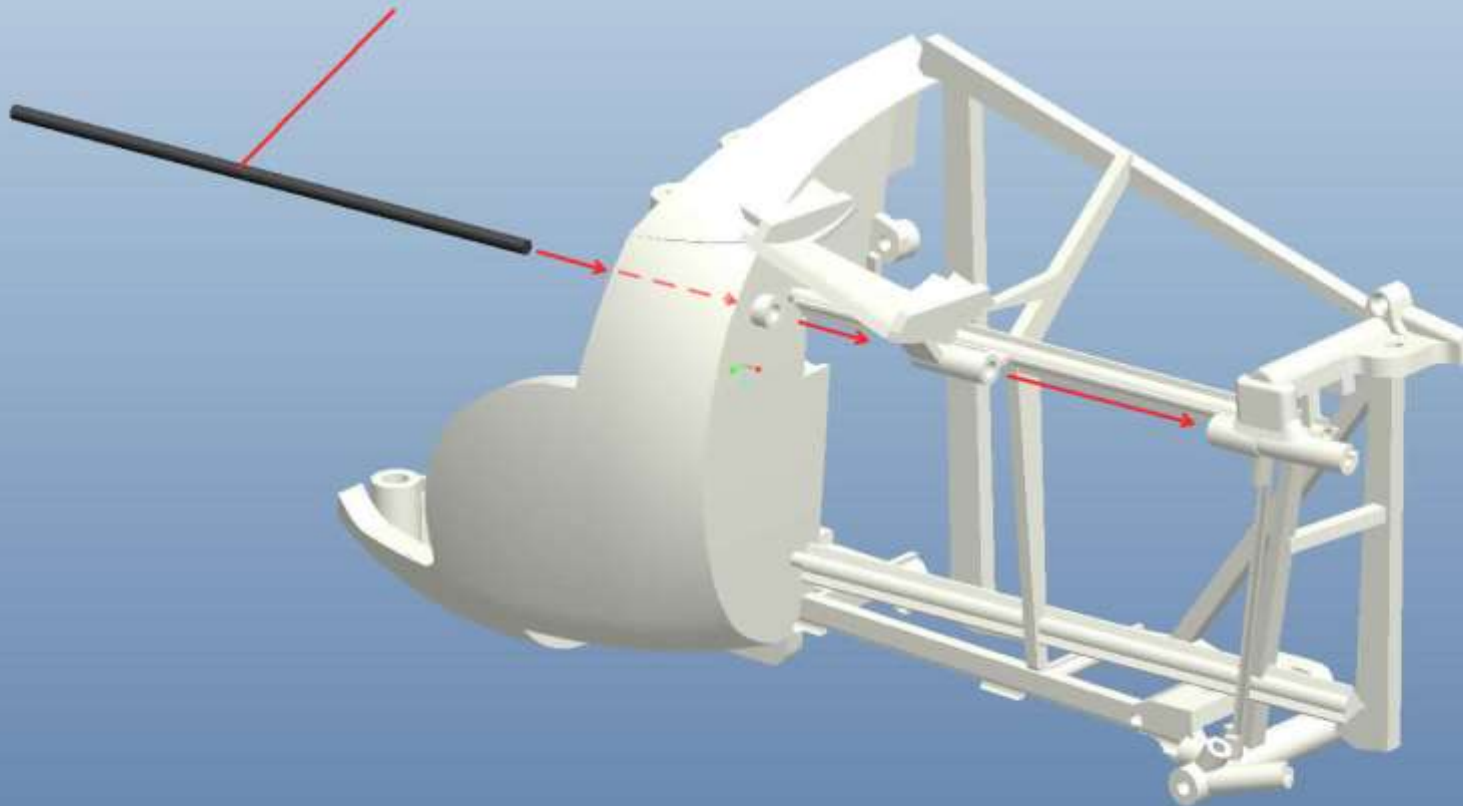


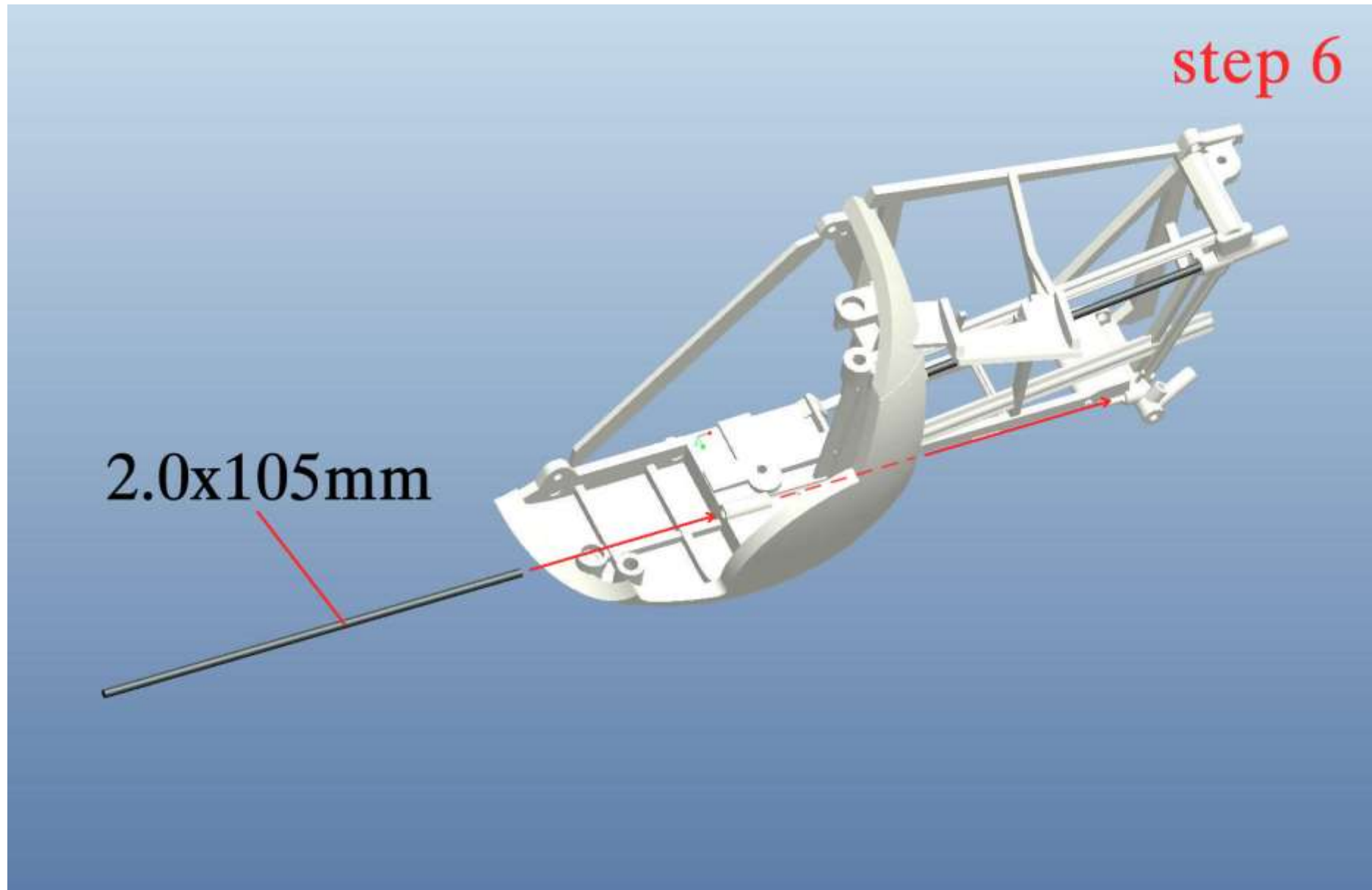
The landing gear on
right side after cutting.

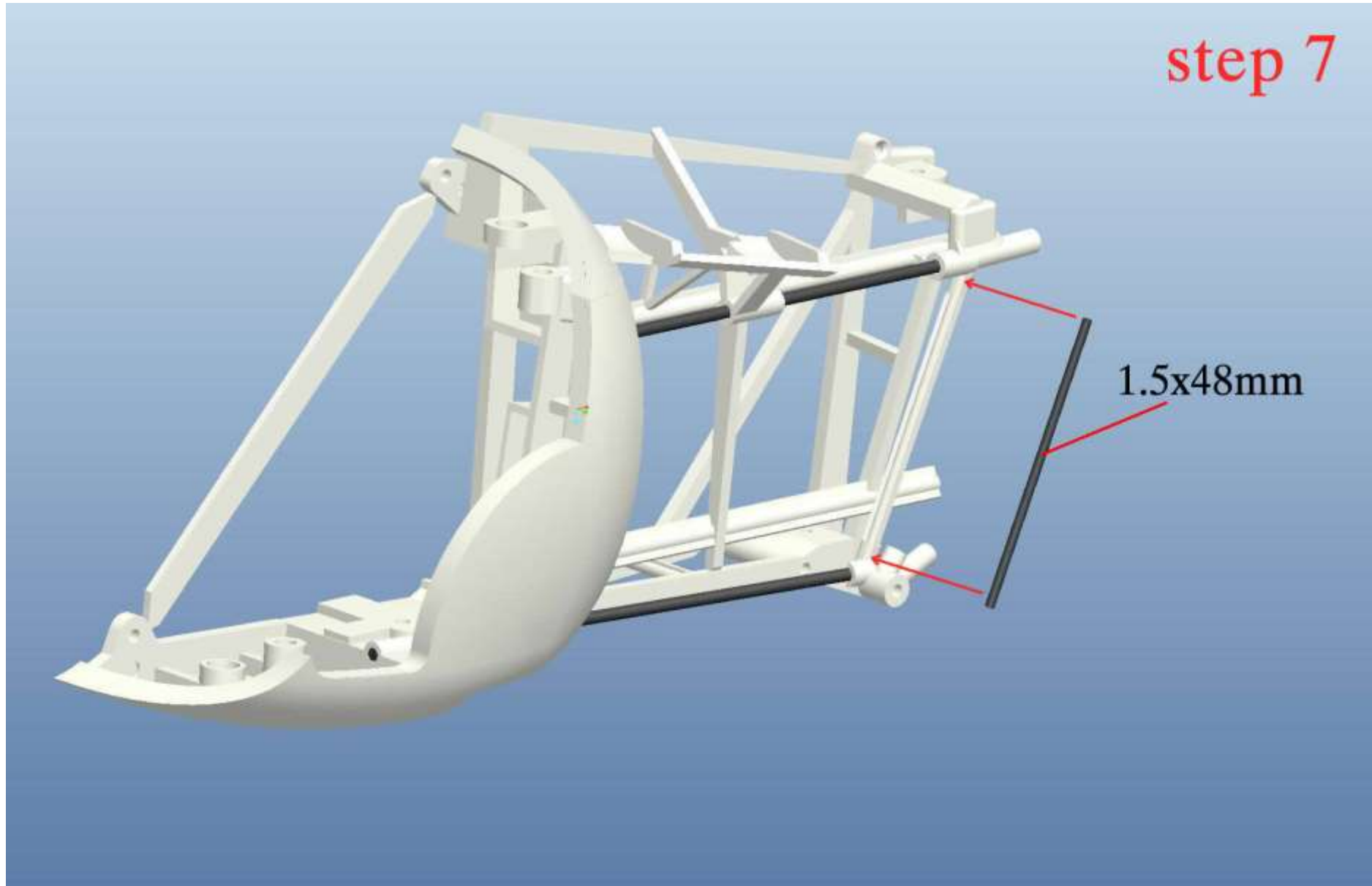


step 5

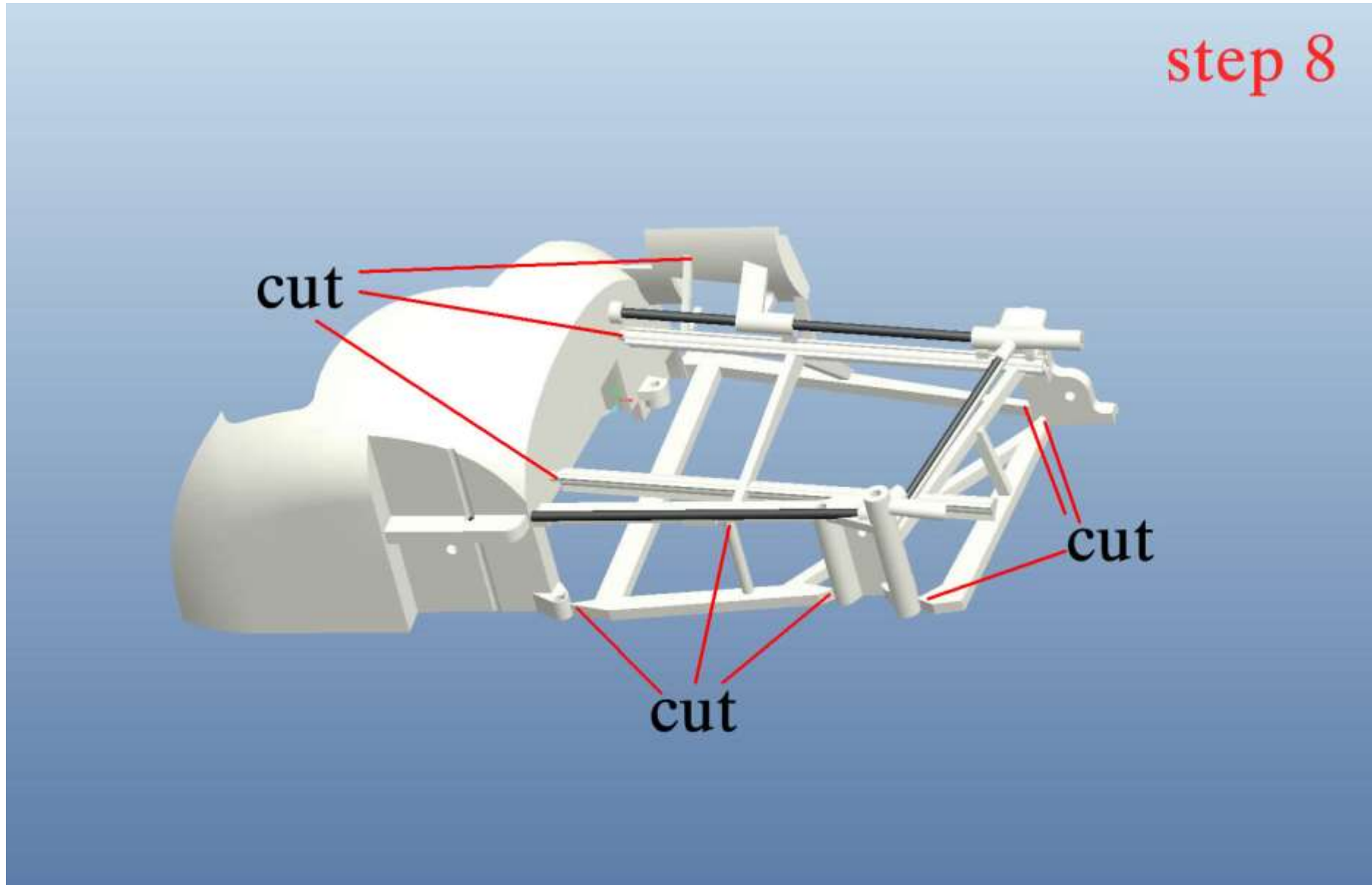
2.0x85mm



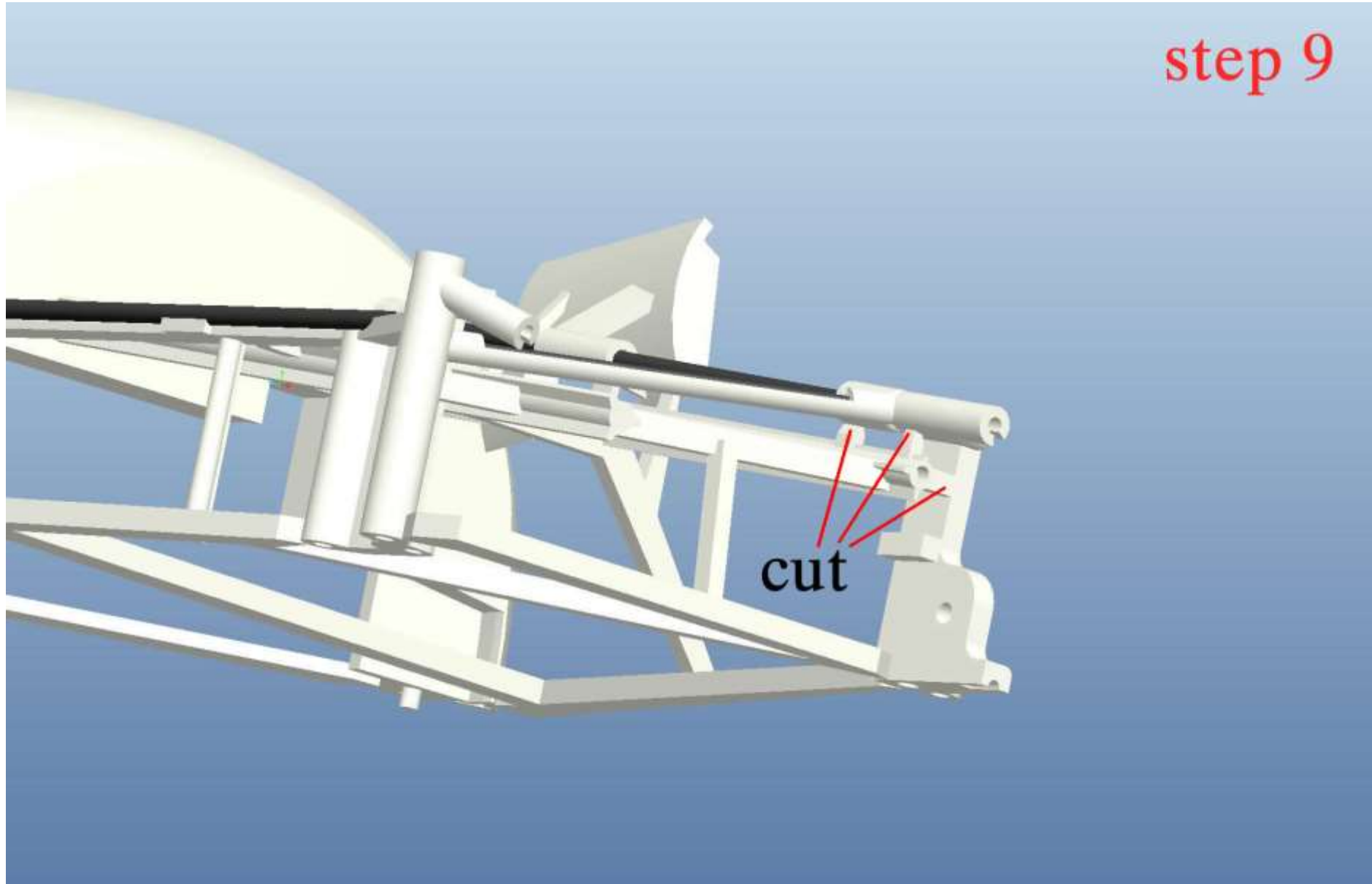


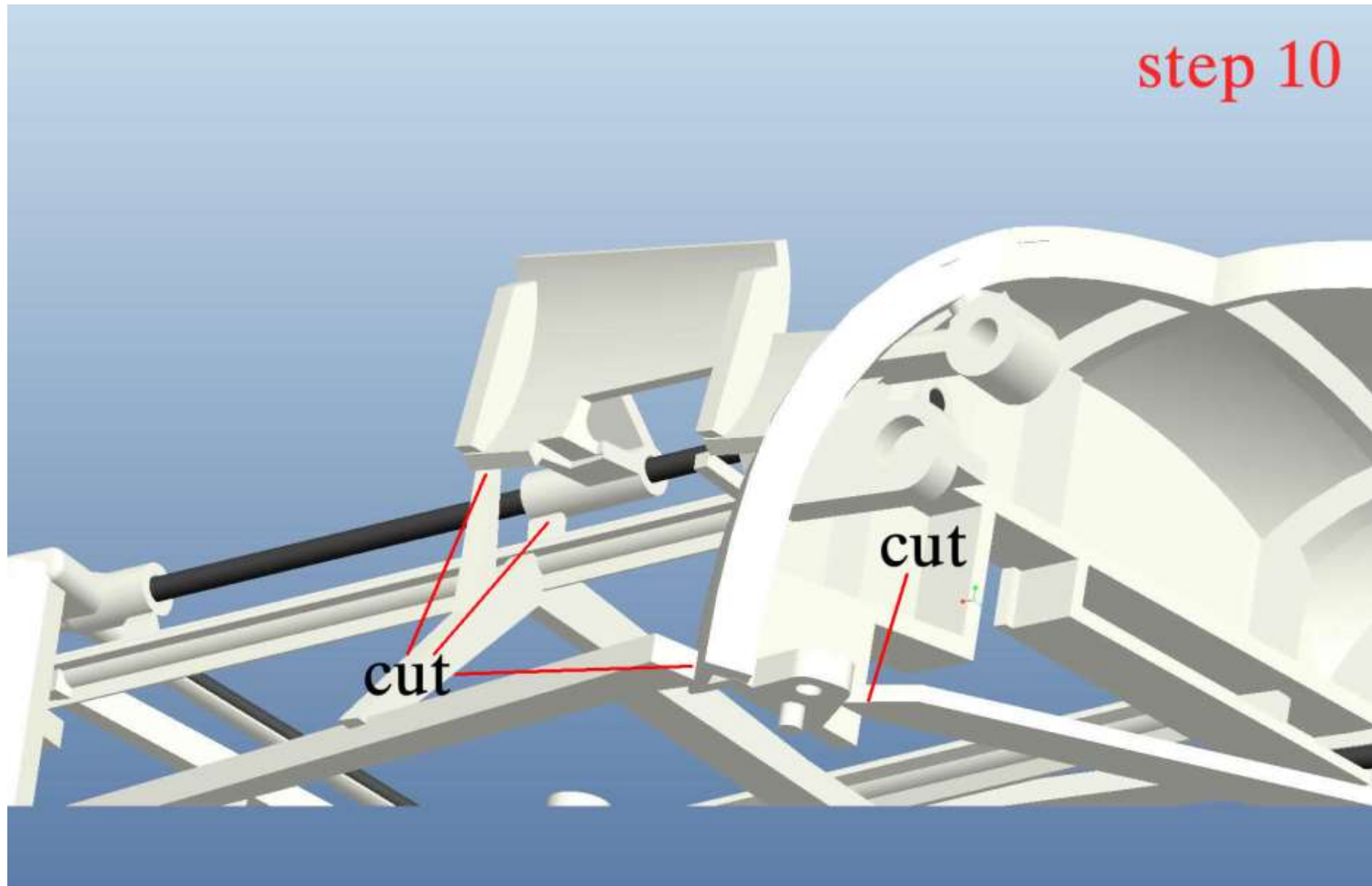


step 8

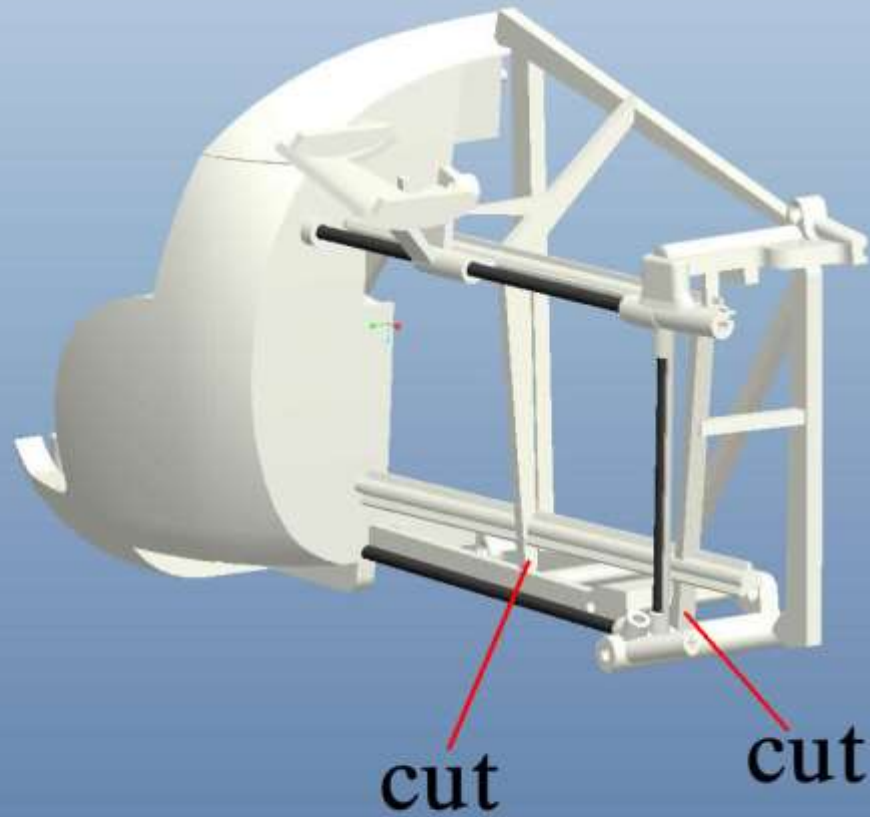


step 9

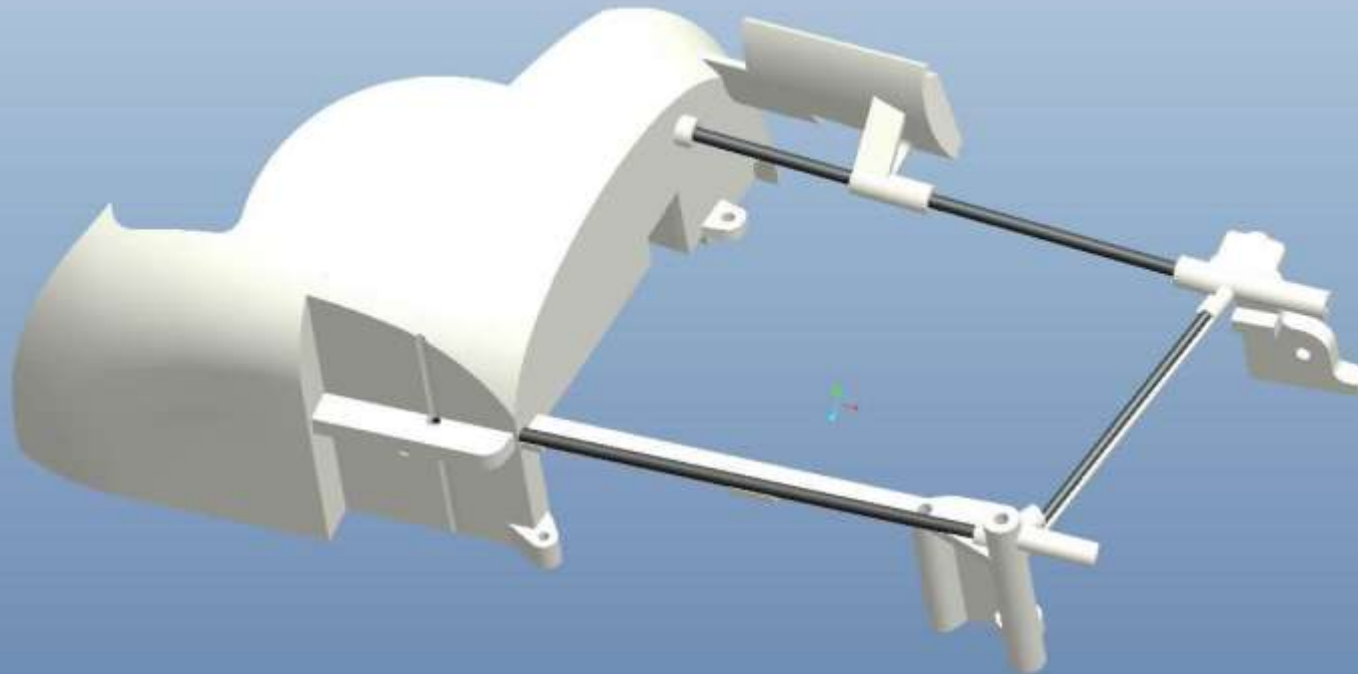




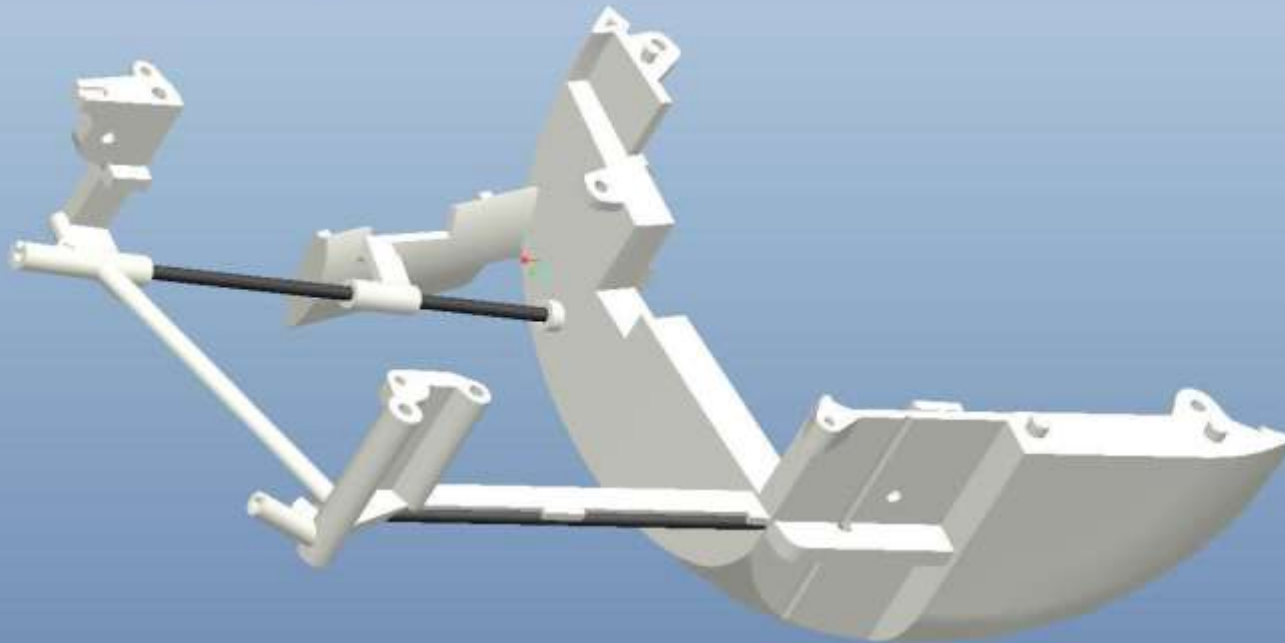
step 11



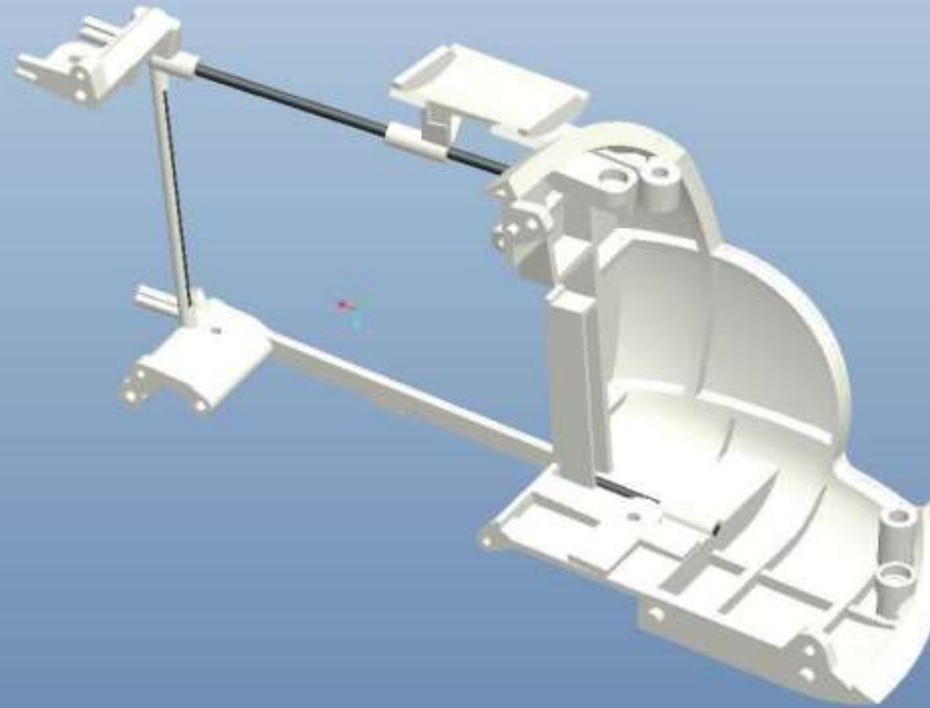
Left fuselage after cutting (camera angle 1)



Left fuselage after cutting (camera angle 2)

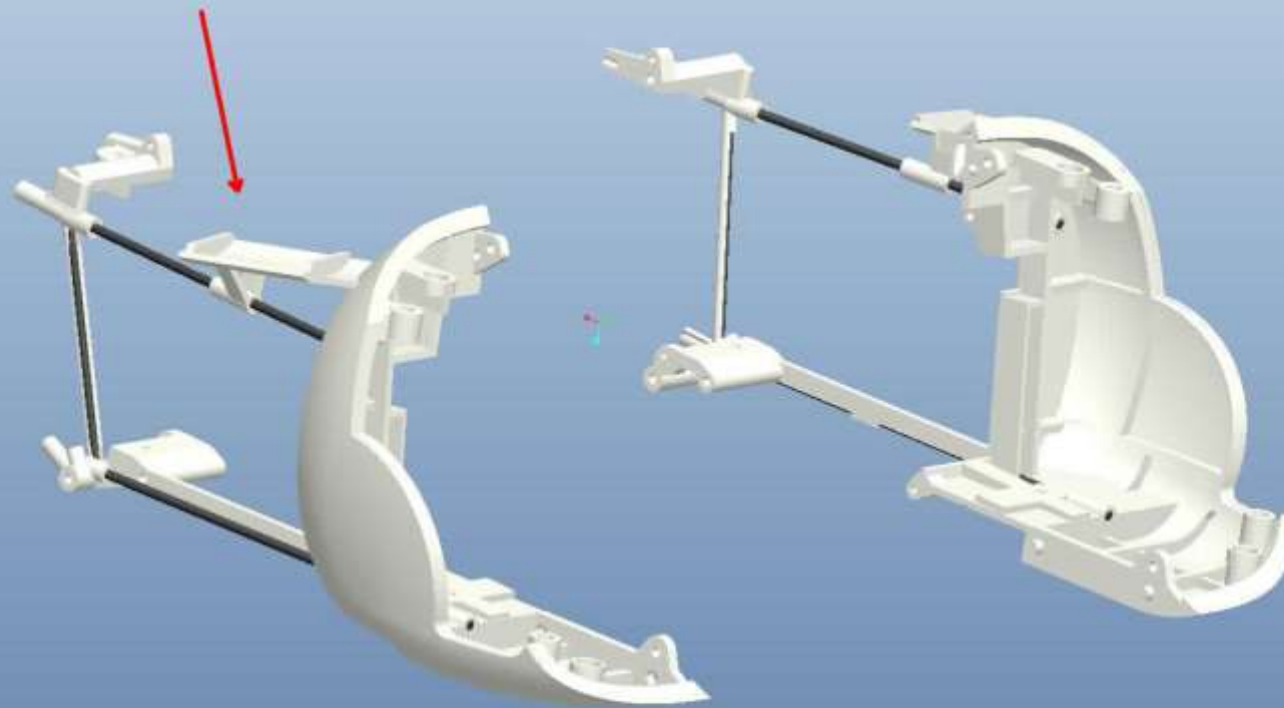


Left fuselage after cutting (camera angle 3)

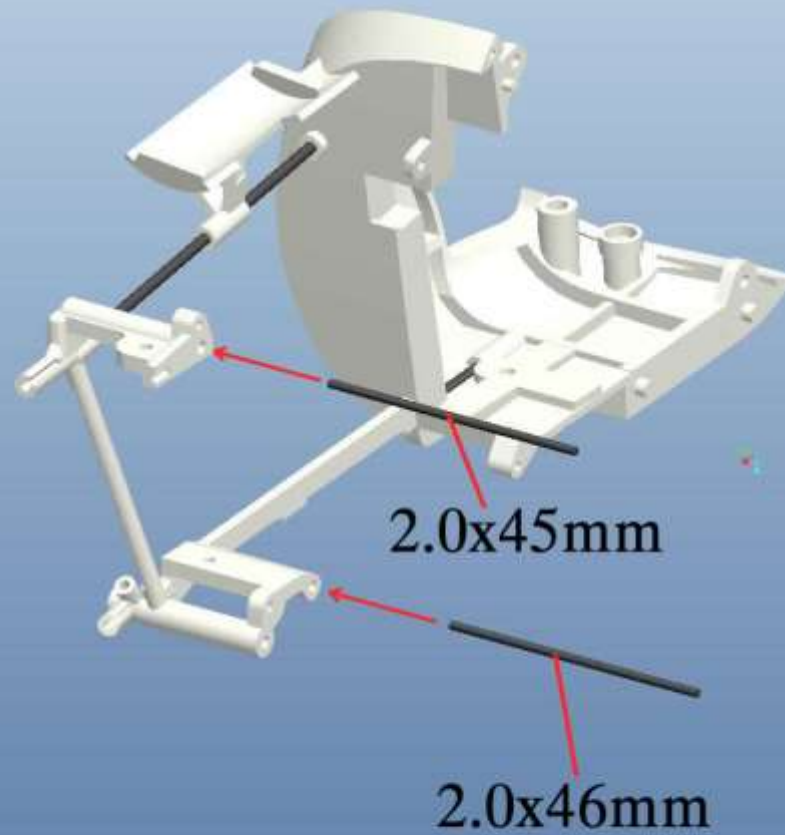


Do the same job to the right side, from step 5 to 11.

step 12



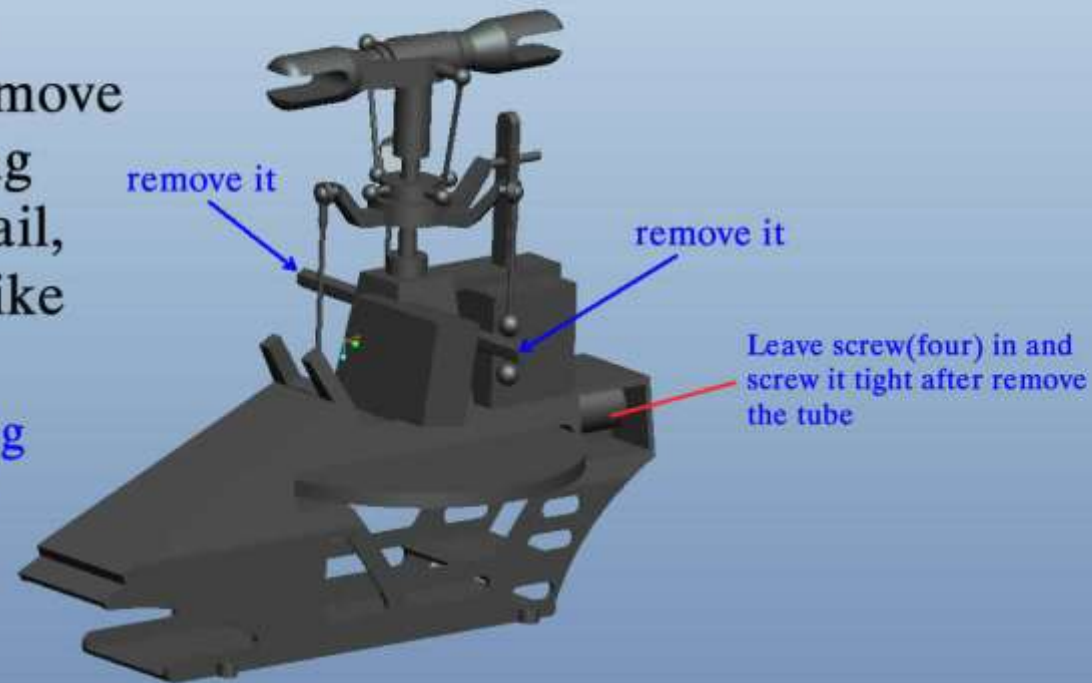
step 13



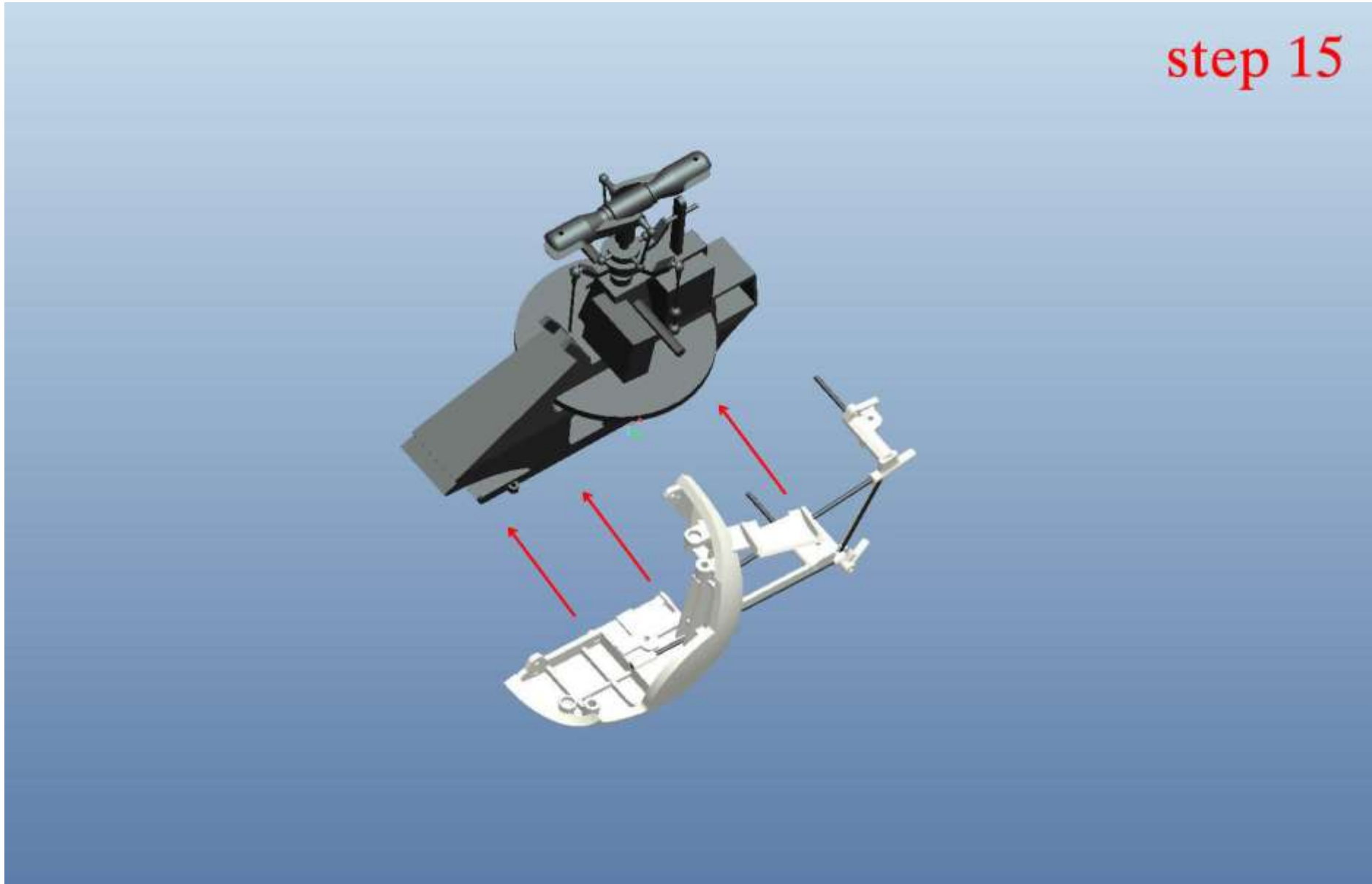
step 14

Prepared one Horizon blade 230s v2(v1) helicopter, and remove the canopy, landing gear, blades and tail, remain the parts like this picture.

Keep the four tapping screws remove from landing gear.

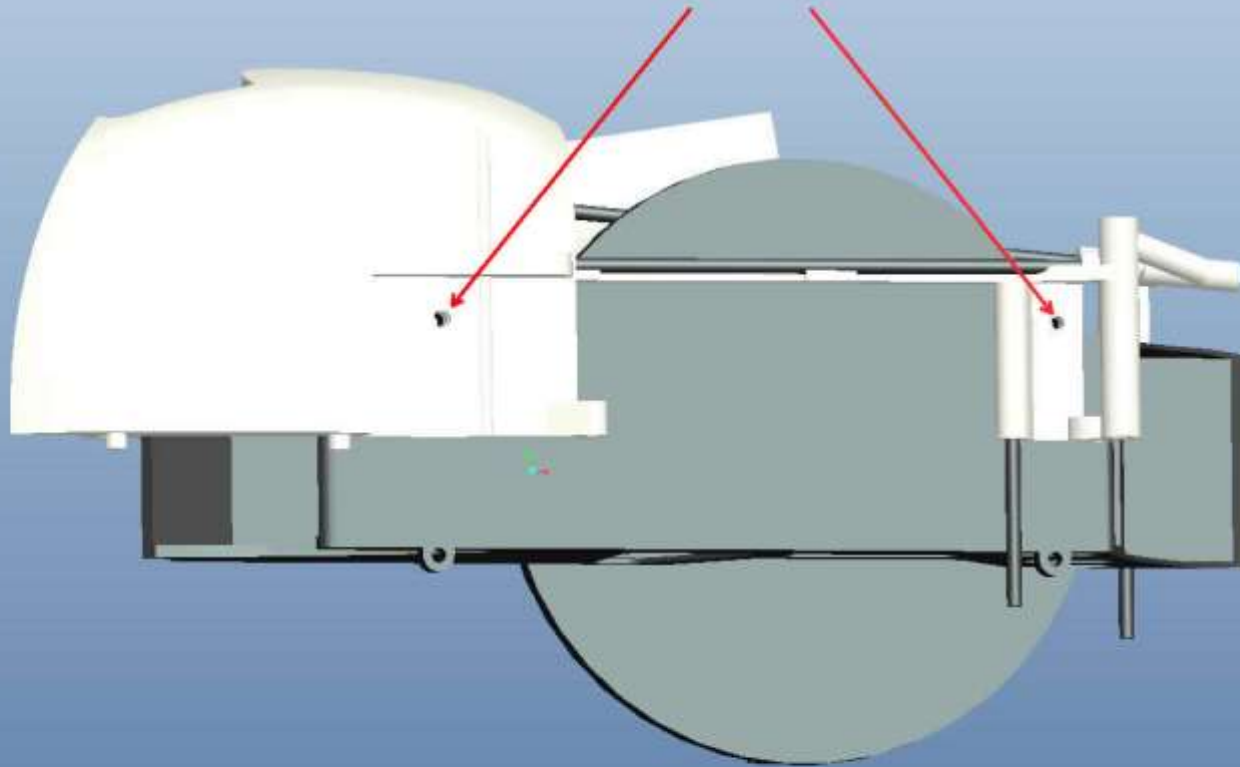


step 15

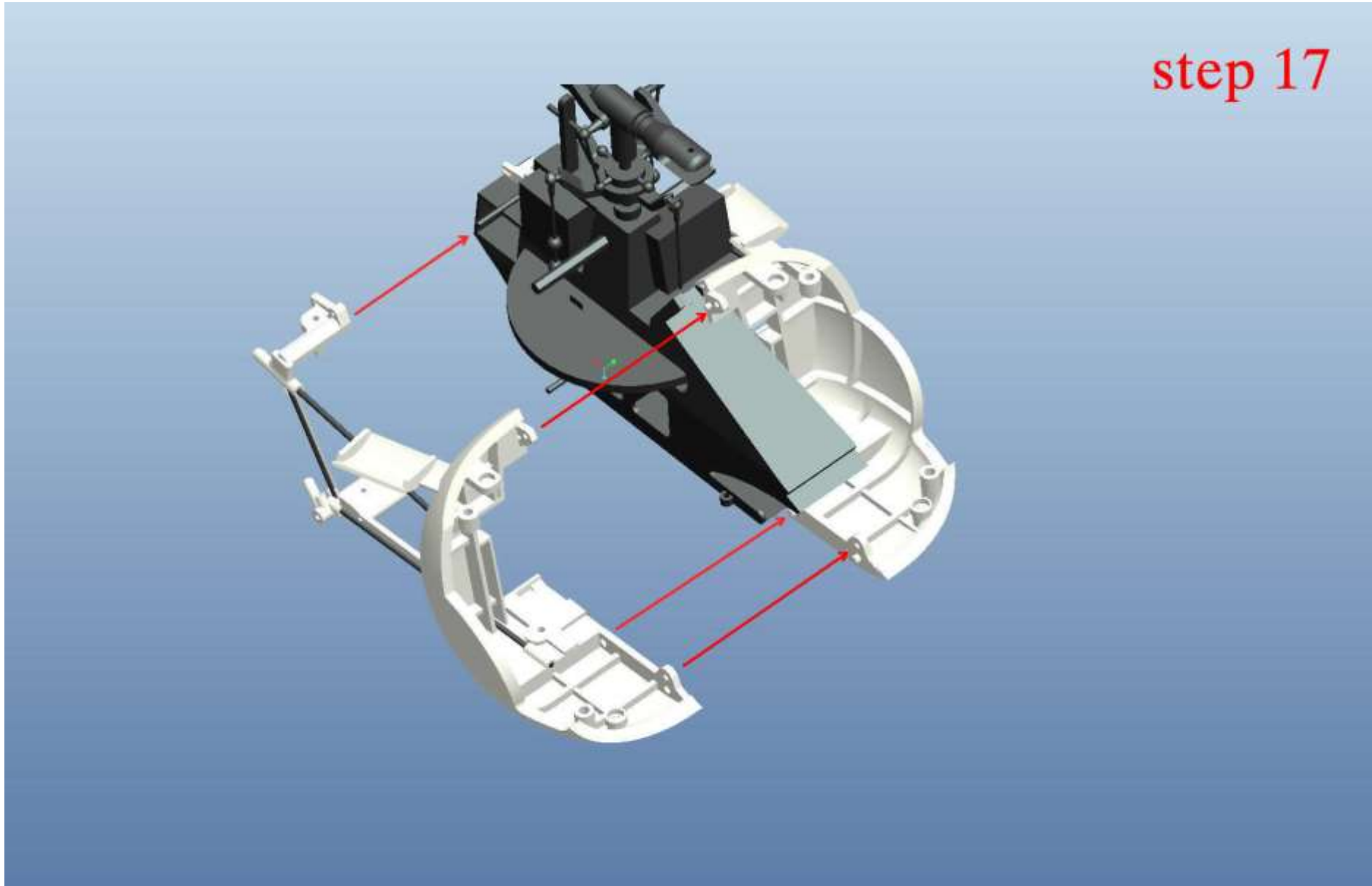


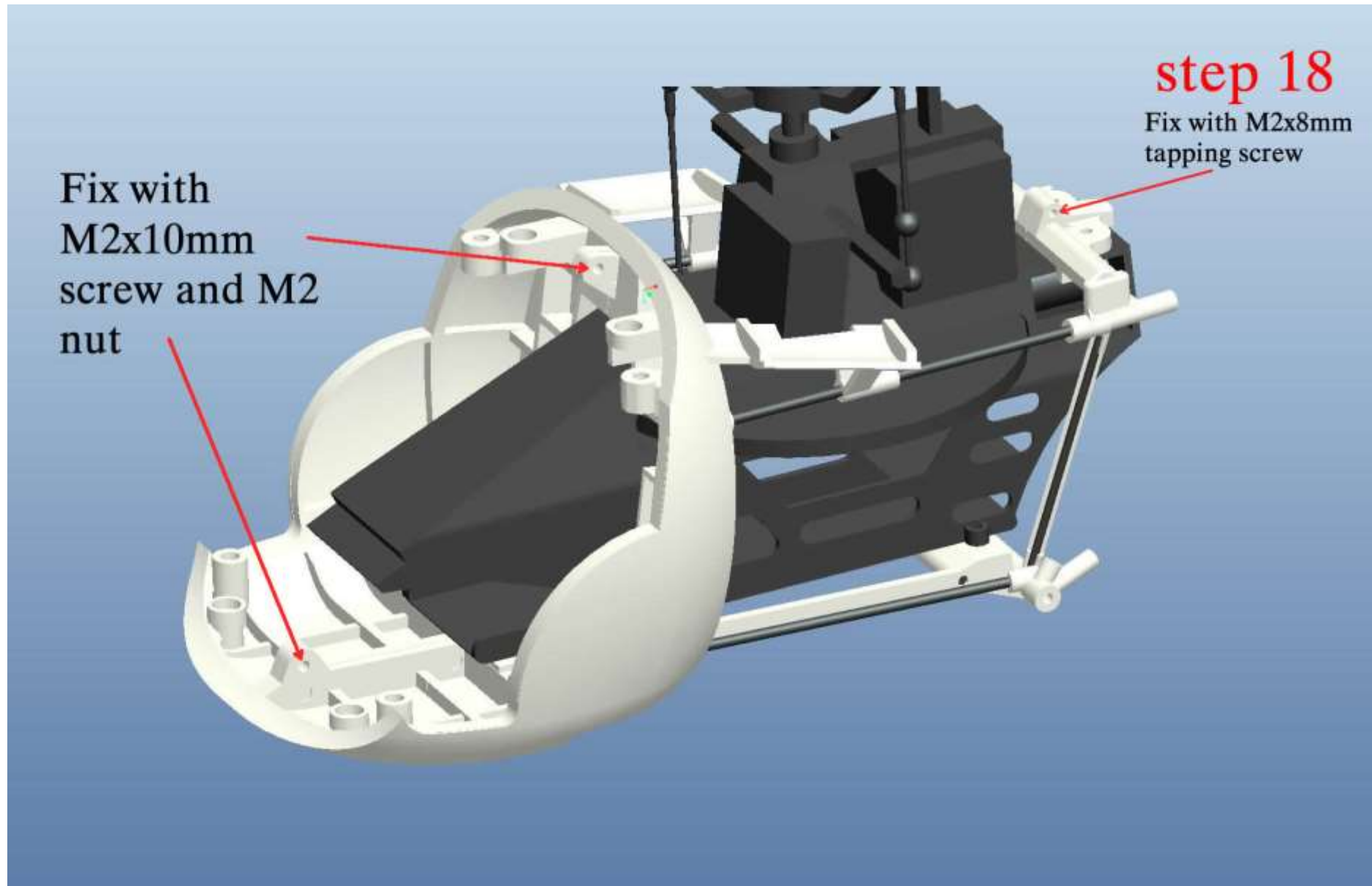
step 16

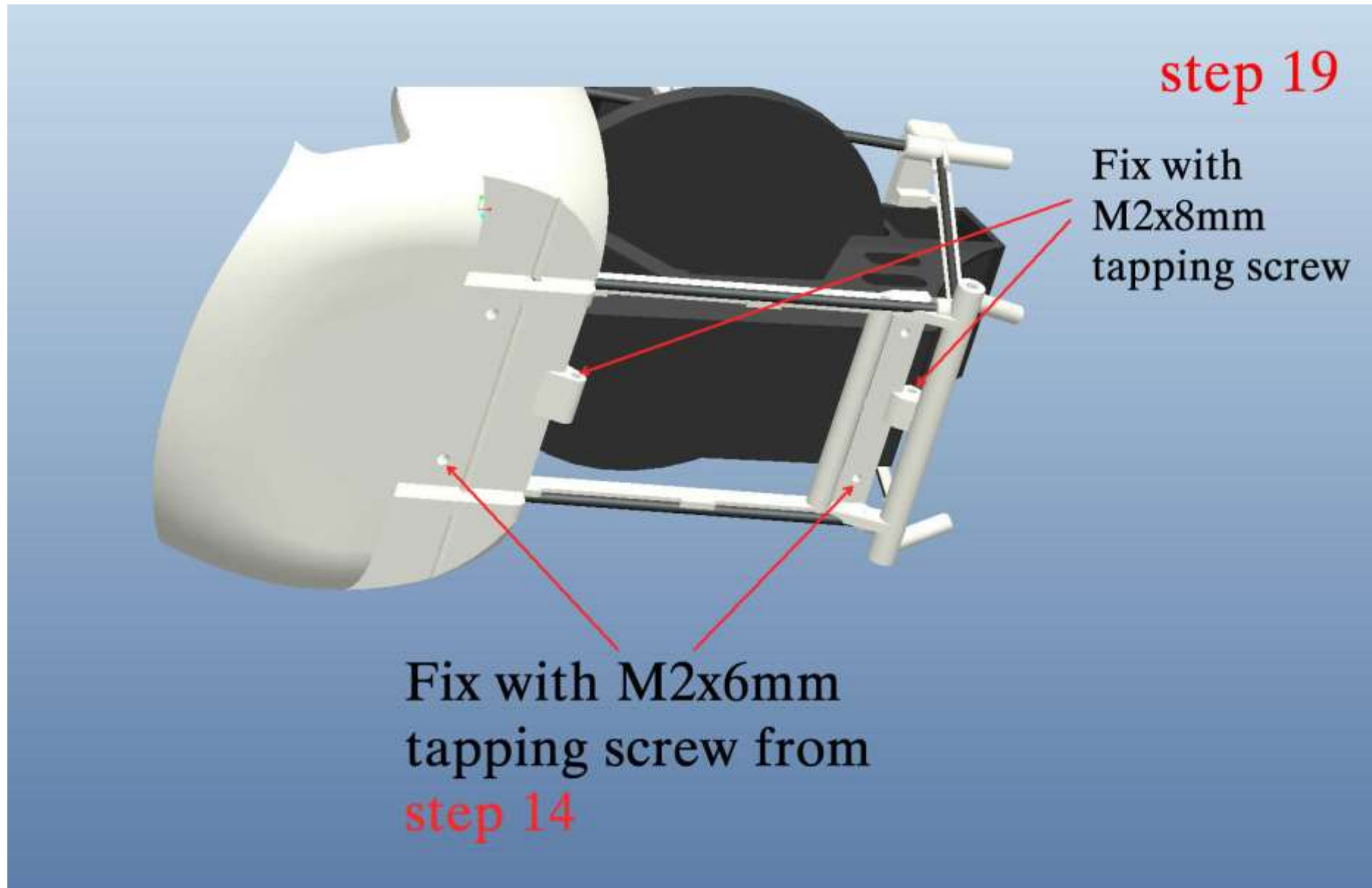
Fix with M2x6mm tapping
screw from **step 14**



step 17

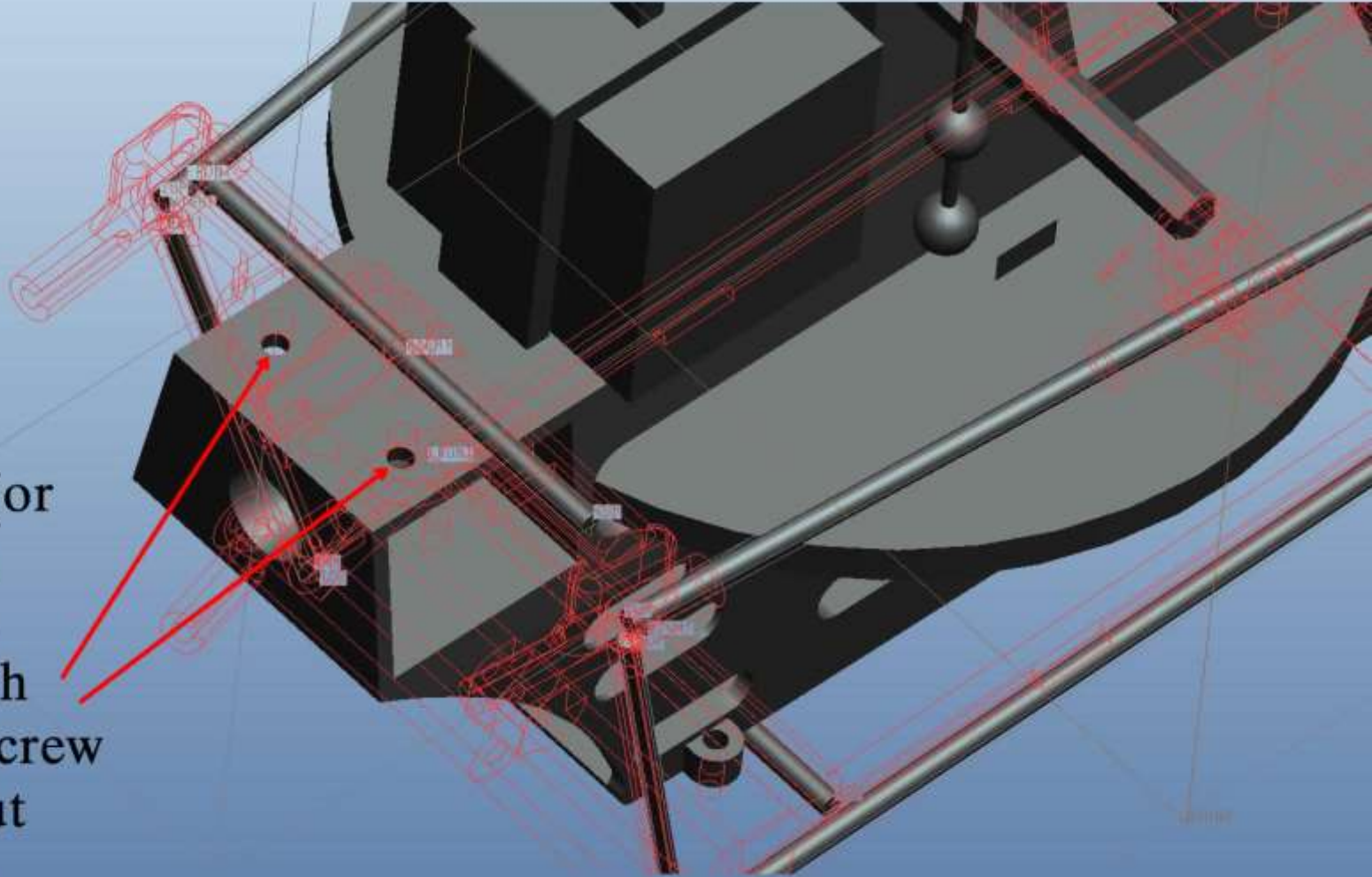


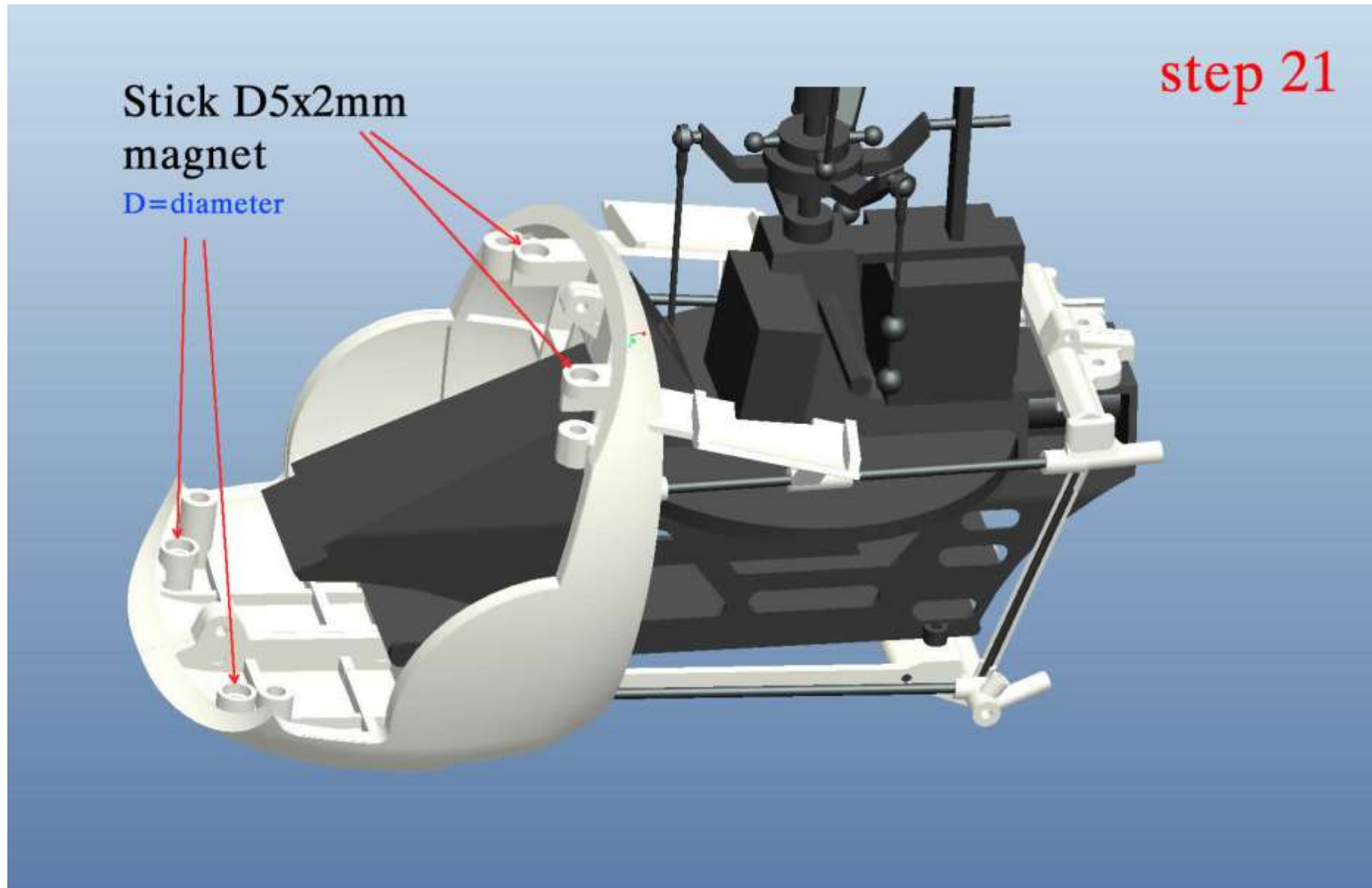




step 20

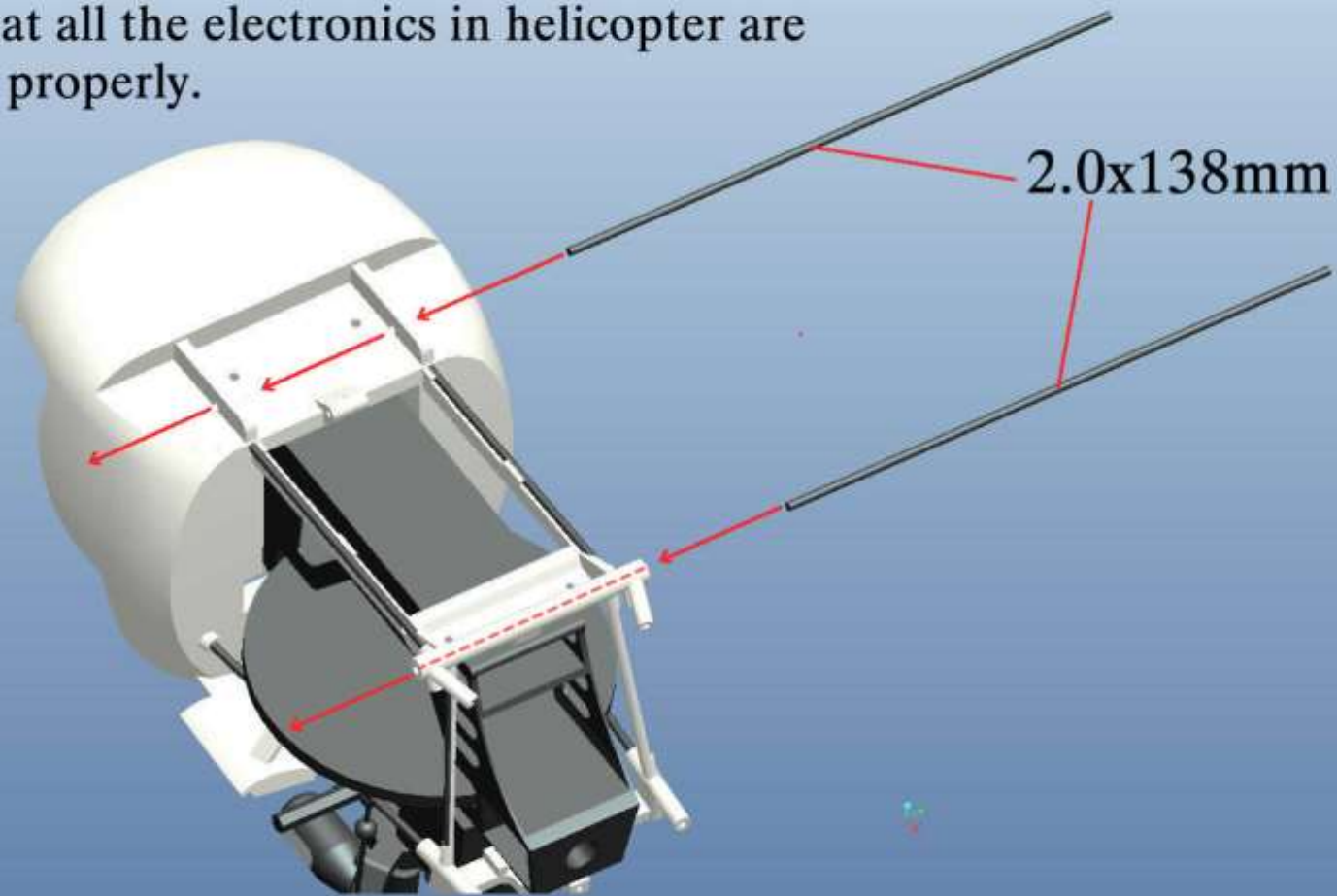
Drill one (or two) 2mm hole here, and fix with M2x7mmscrew and M2 nut after that.





Friendly reminder: from this step, you must use a glue assembly that is not disassembled. Please check that all the electronics in helicopter are working properly.

step 22



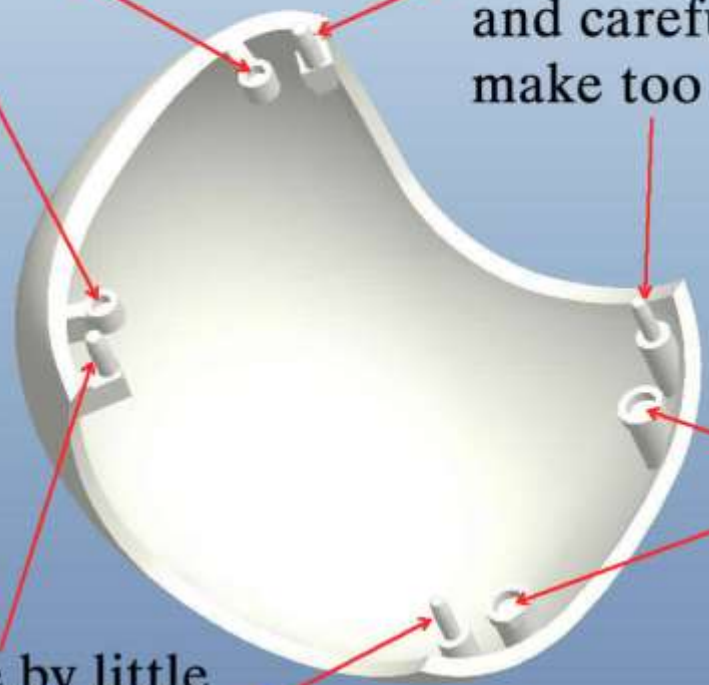
step 23



step 24

Stick D3x2mm
magnet
D=diameter
Pay attention to the
magnet's north and
south poles

Polishes little by little
and carefully, don't
make too loose!

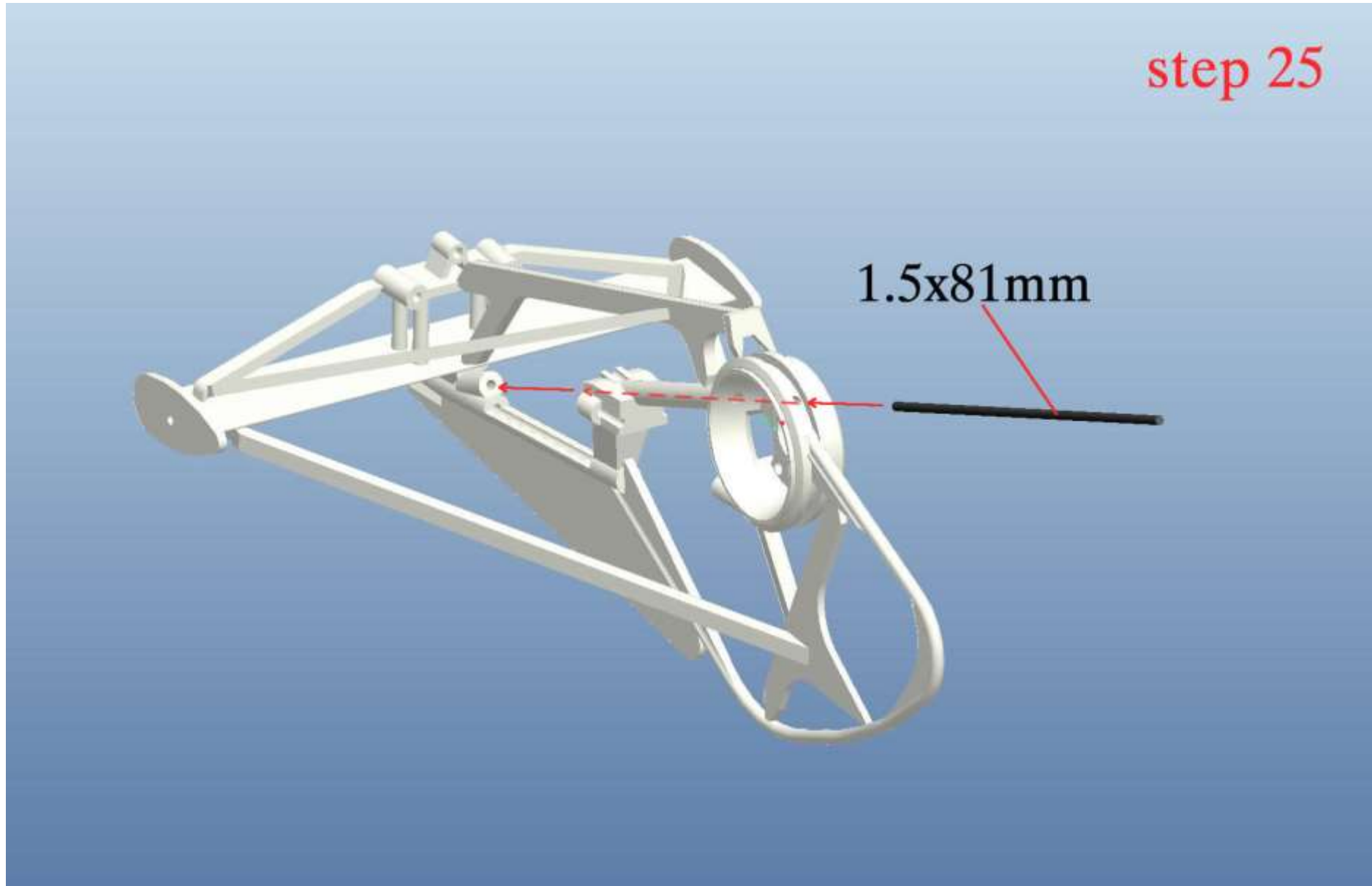


Stick D3x2mm
magnet
D=diameter
Pay attention to the
magnet's north and south
poles

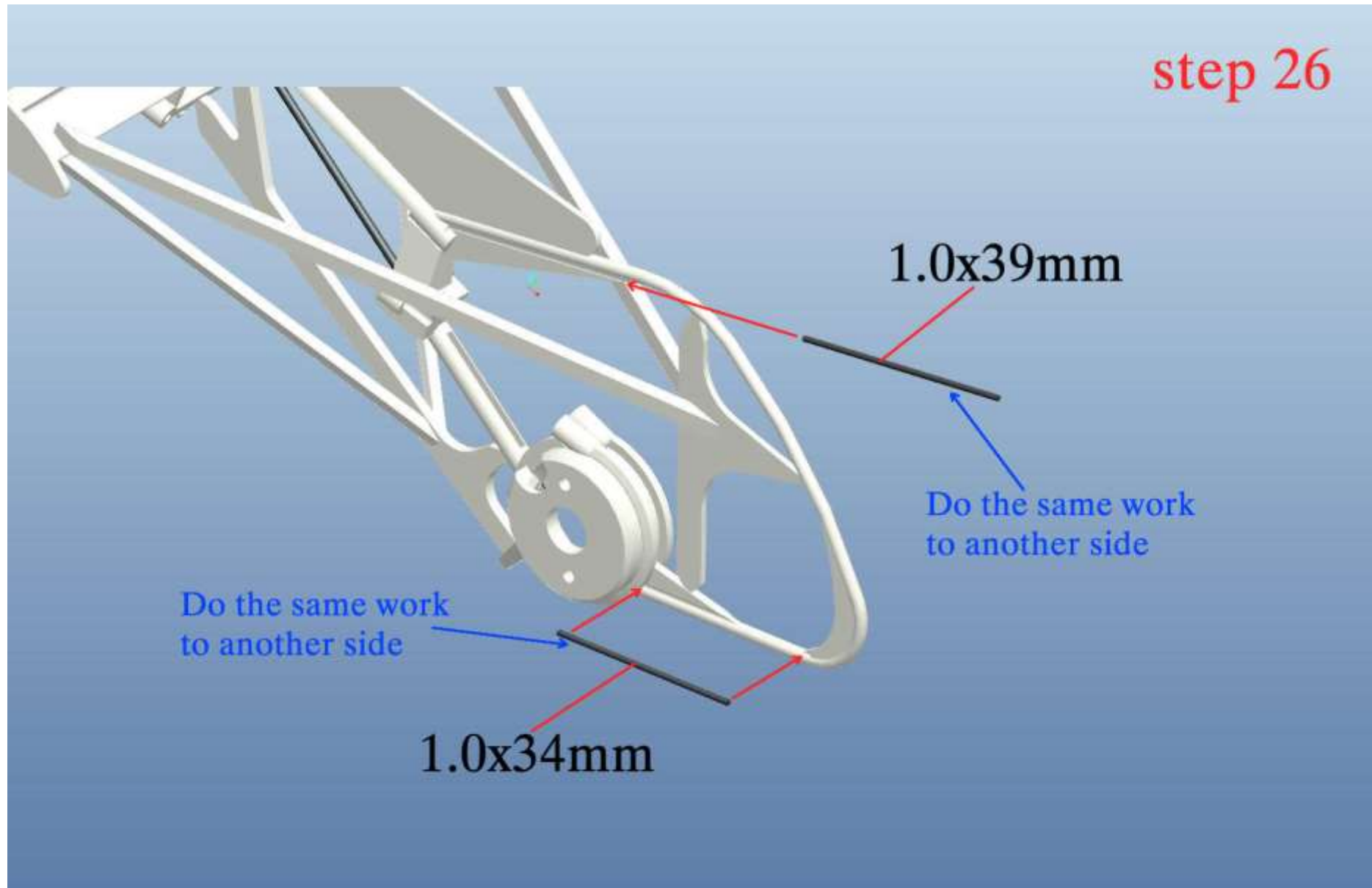
Polishes little by little
and carefully, don't
make too loose!

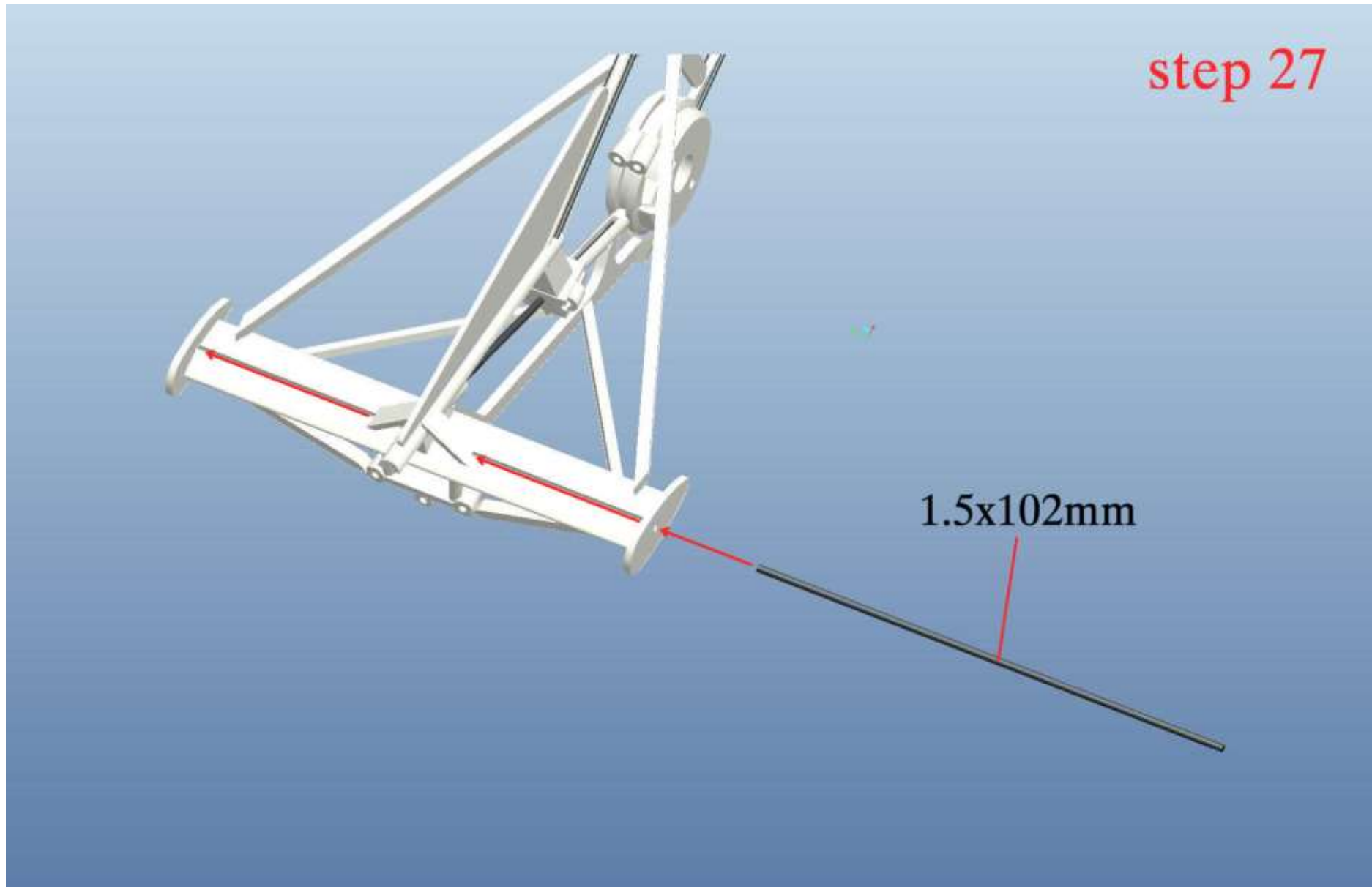


step 25

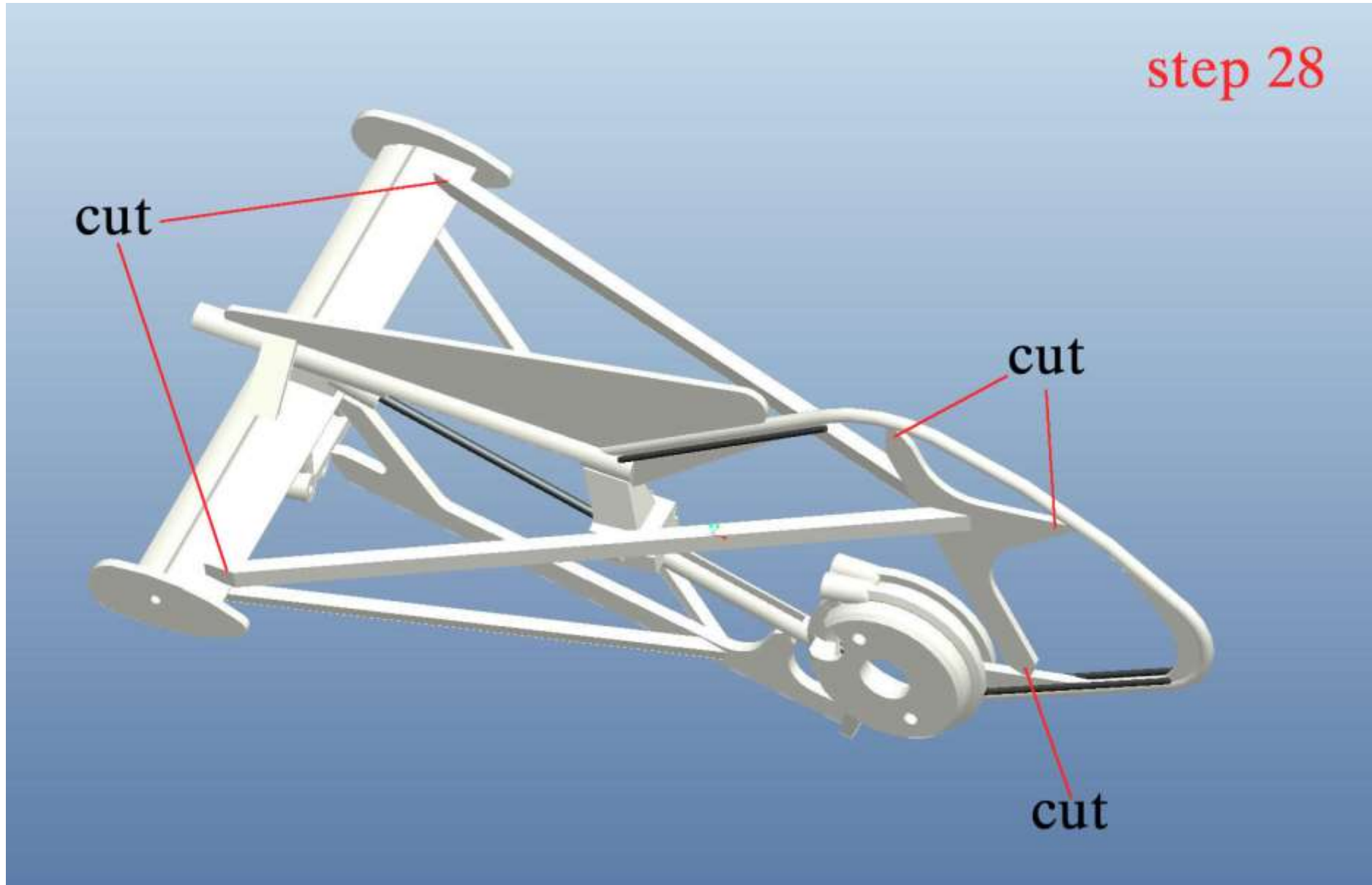


step 26

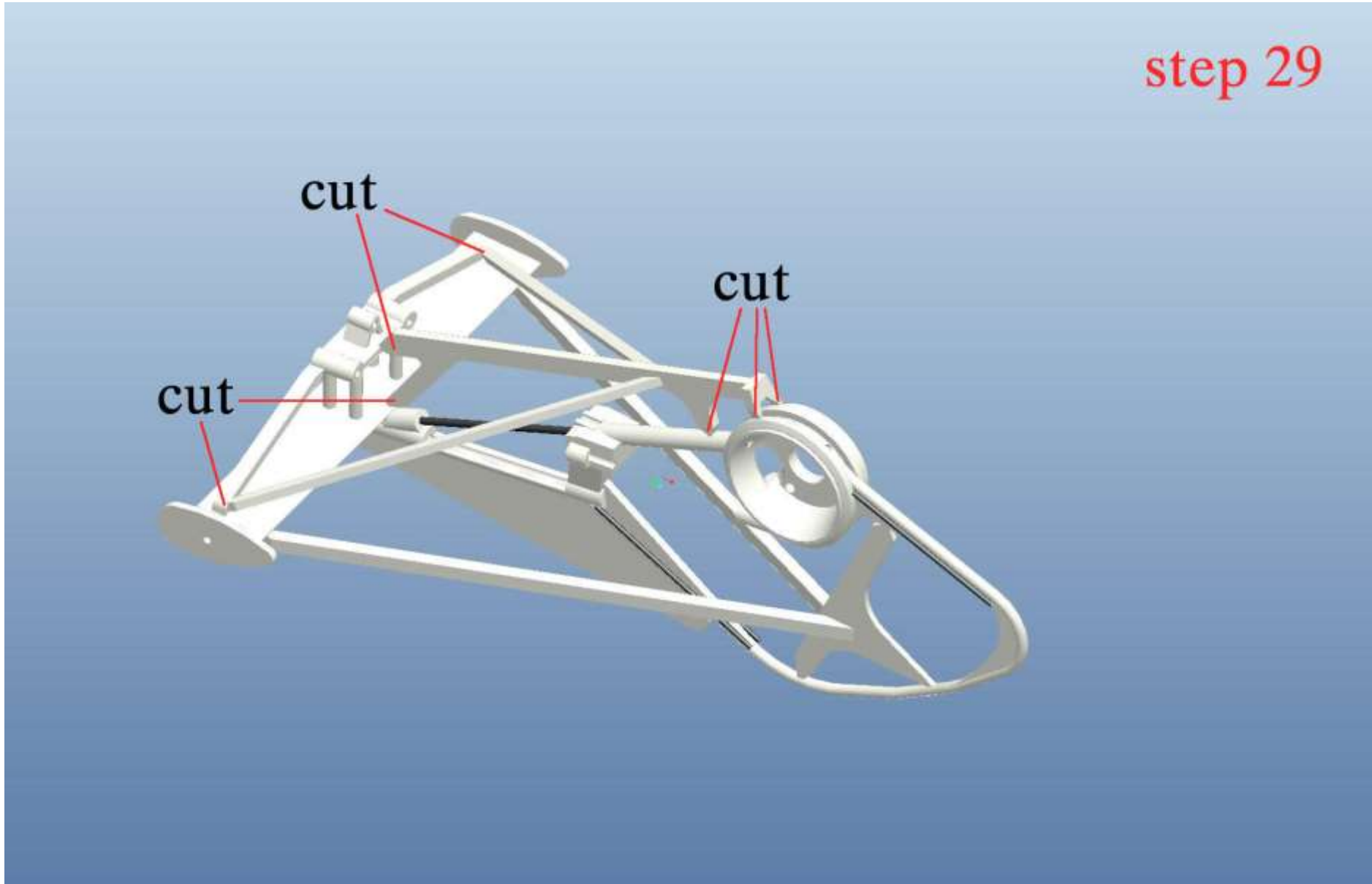




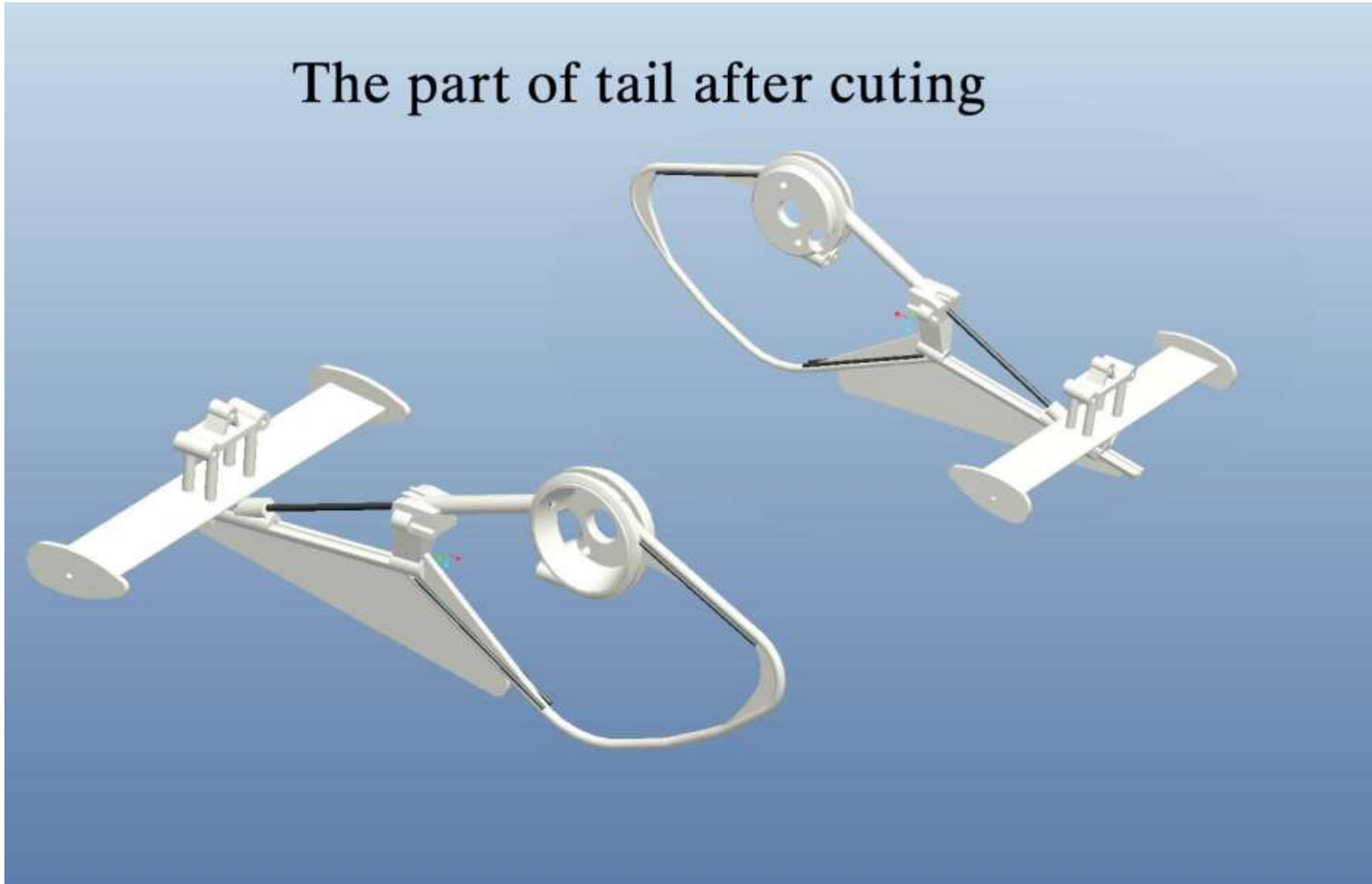
step 28

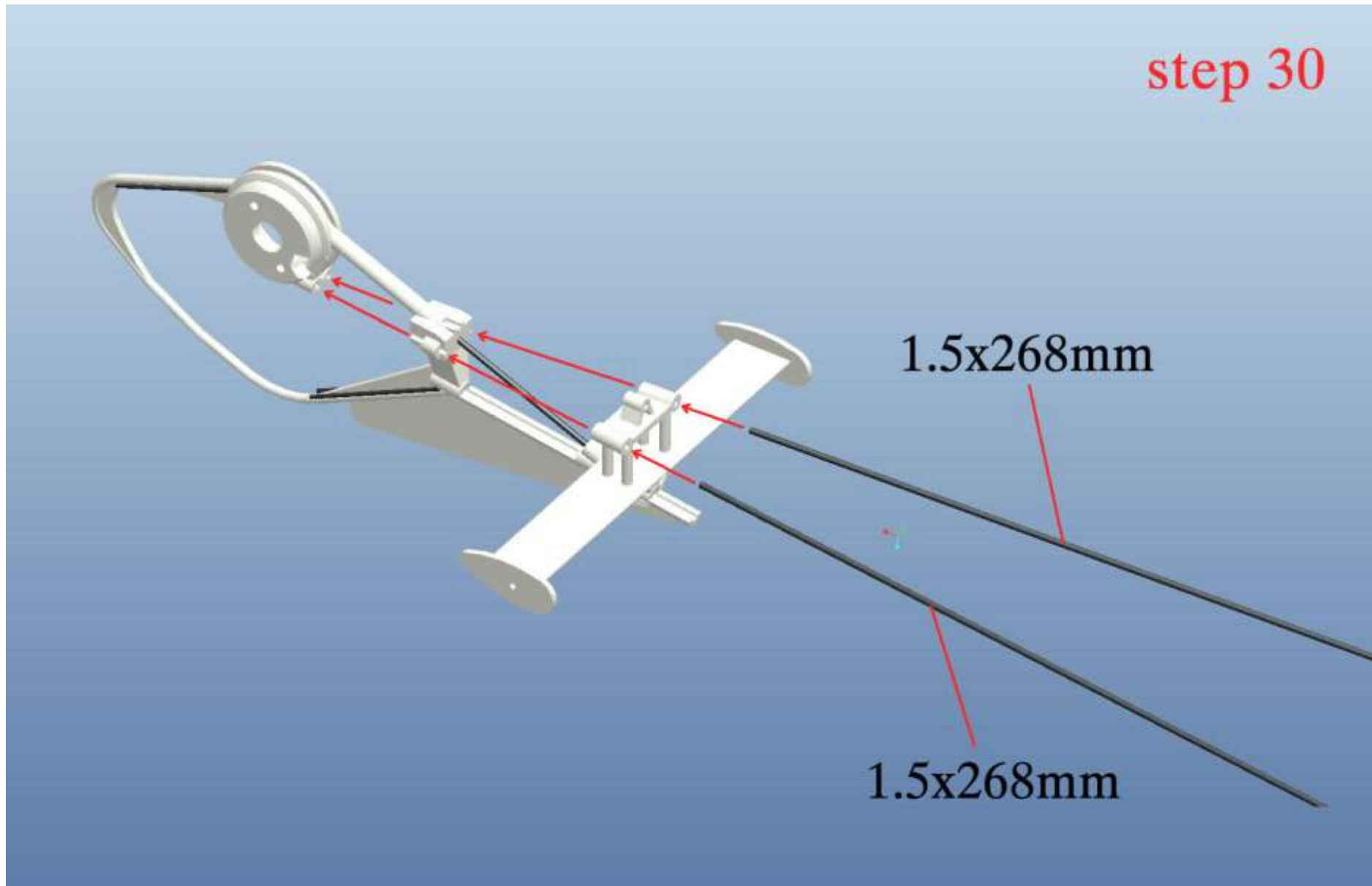


step 29

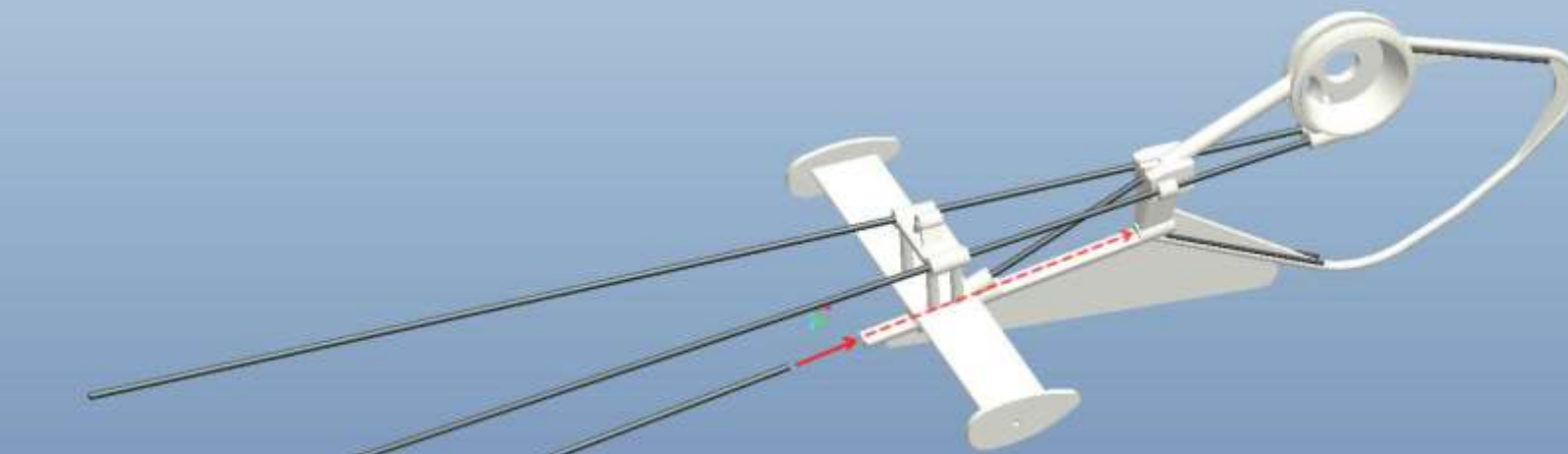


The part of tail after cutting



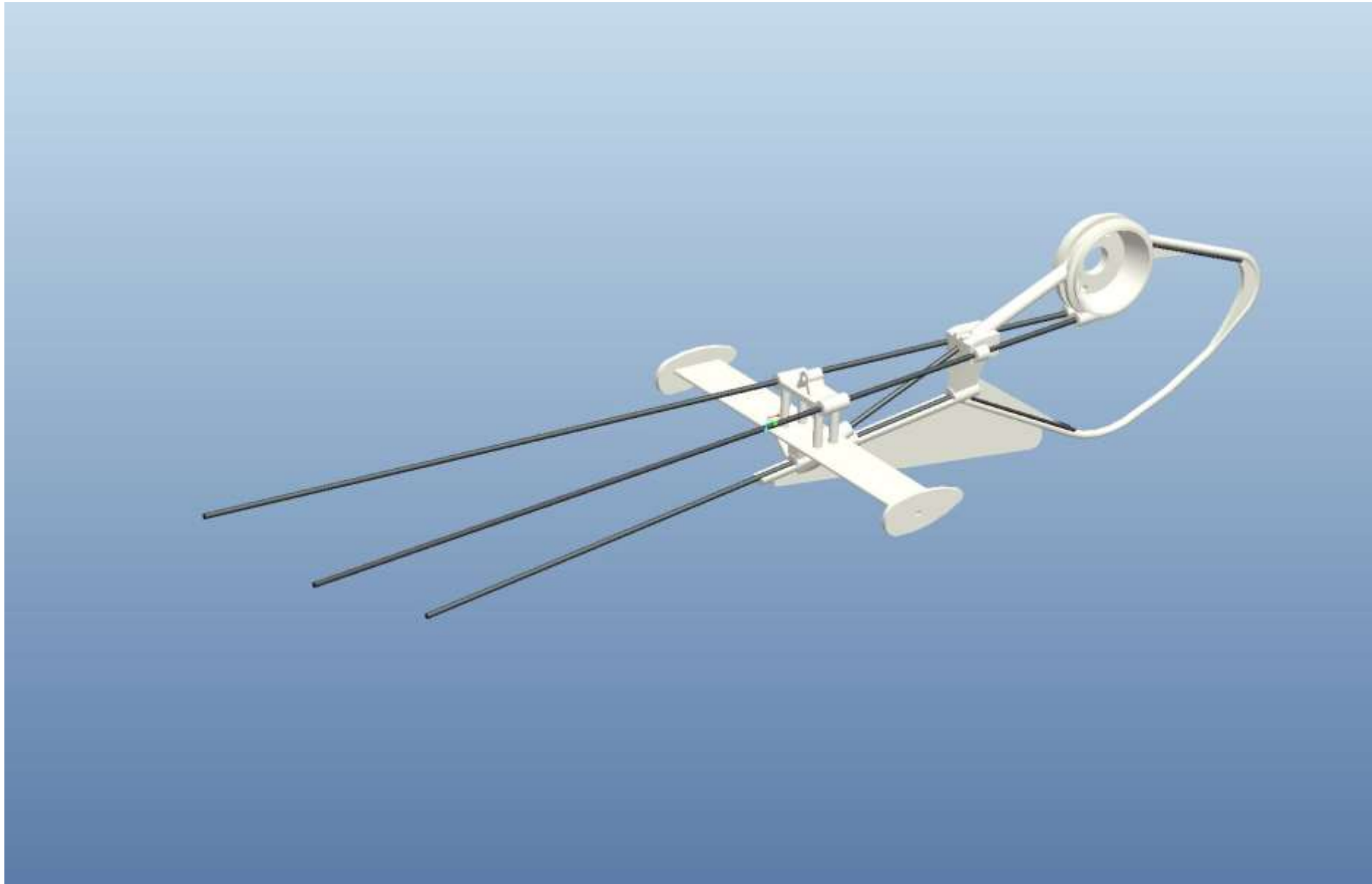


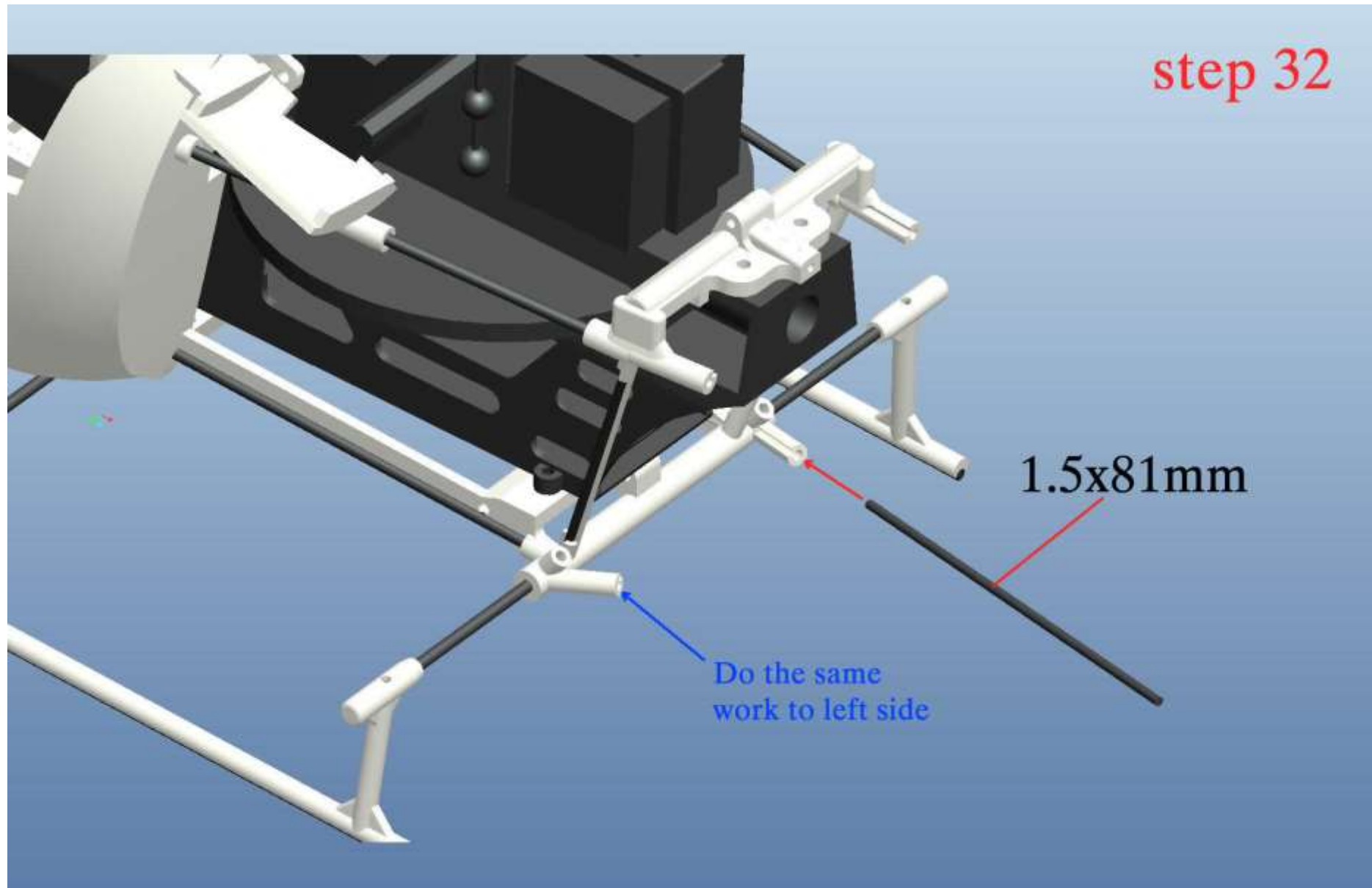
step 31

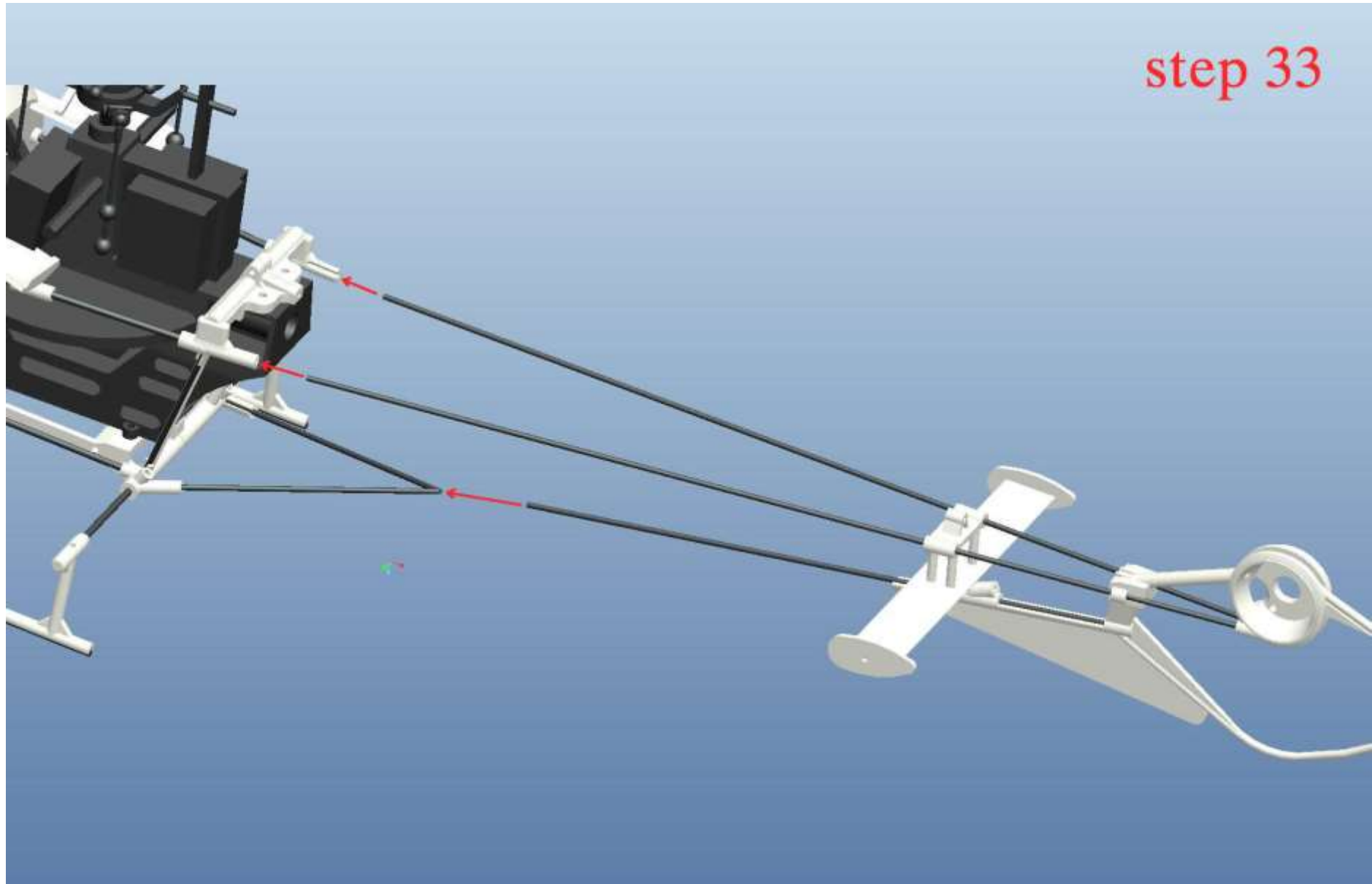


1.5x176mm

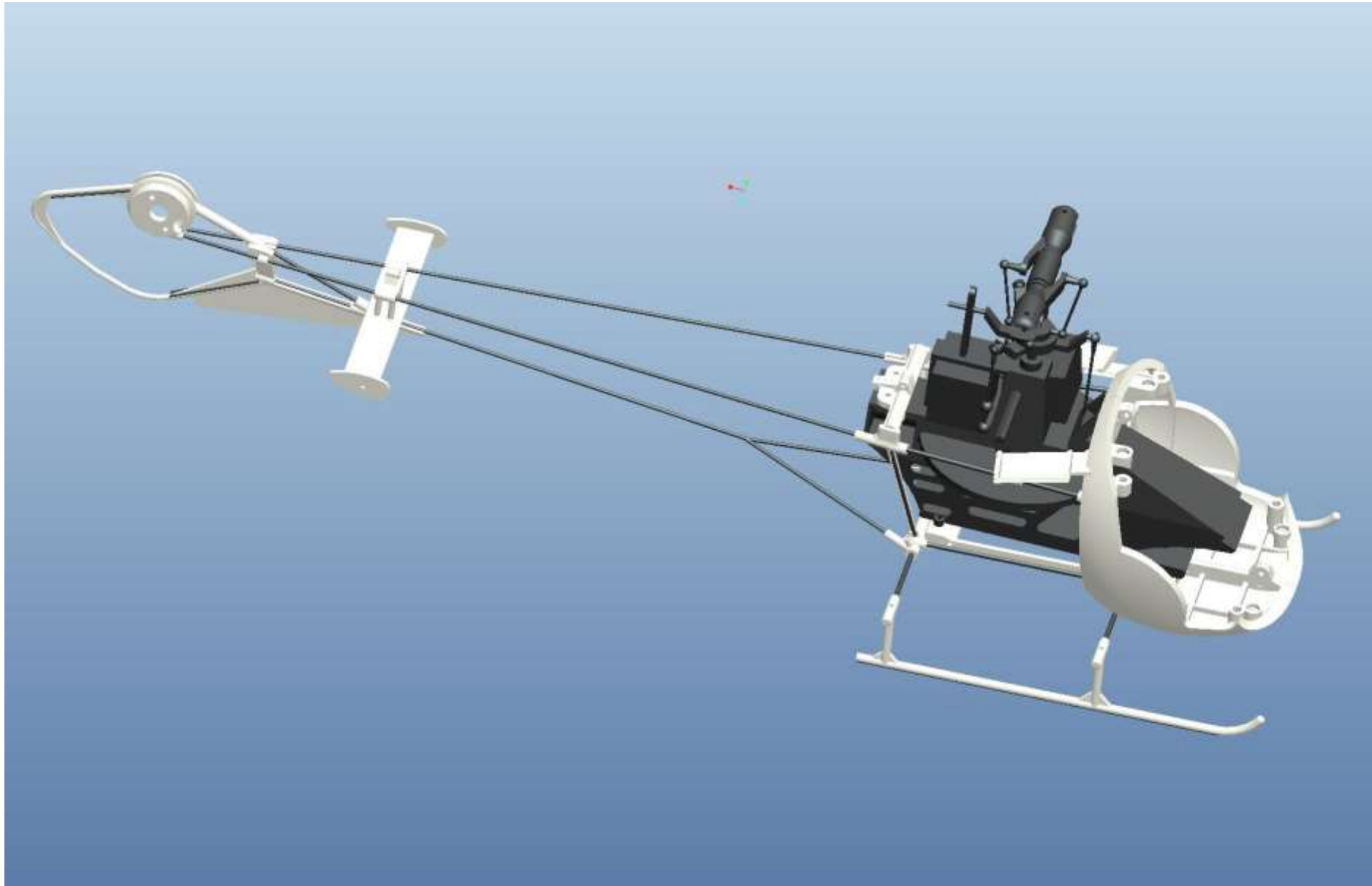
This carbon rod is very important, the height and level of the tail are regulated by this rod, make it a little longer.

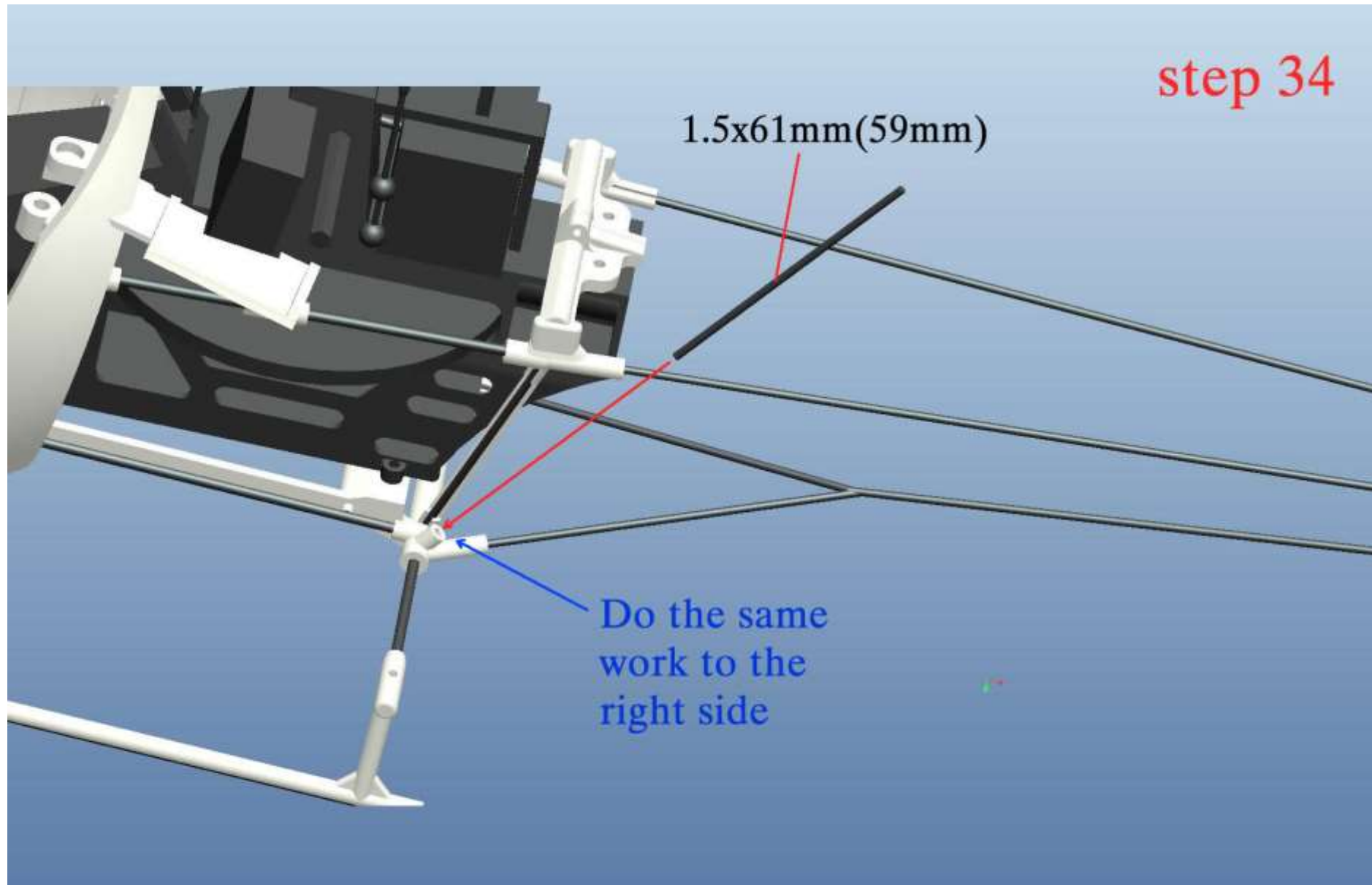


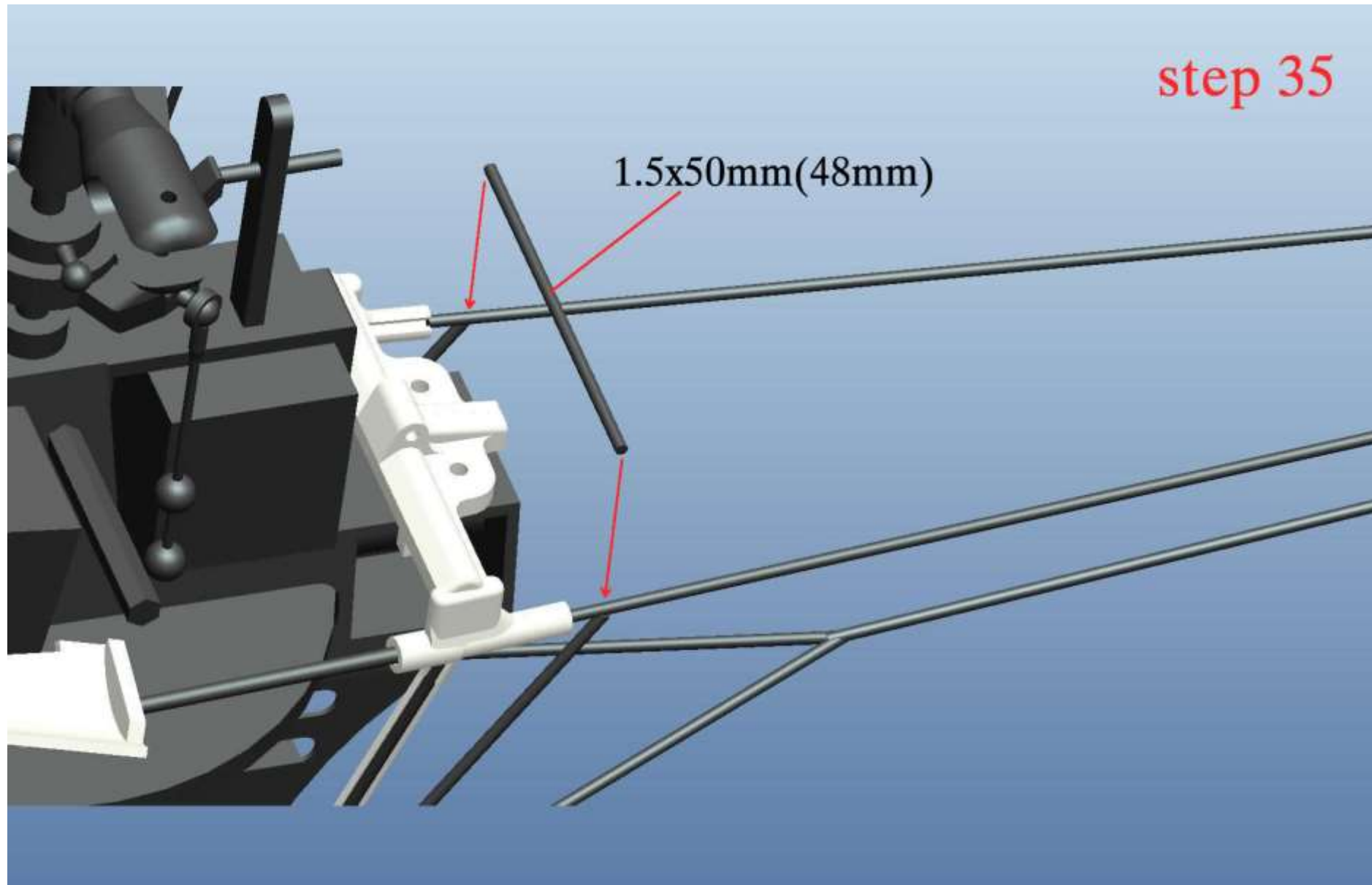


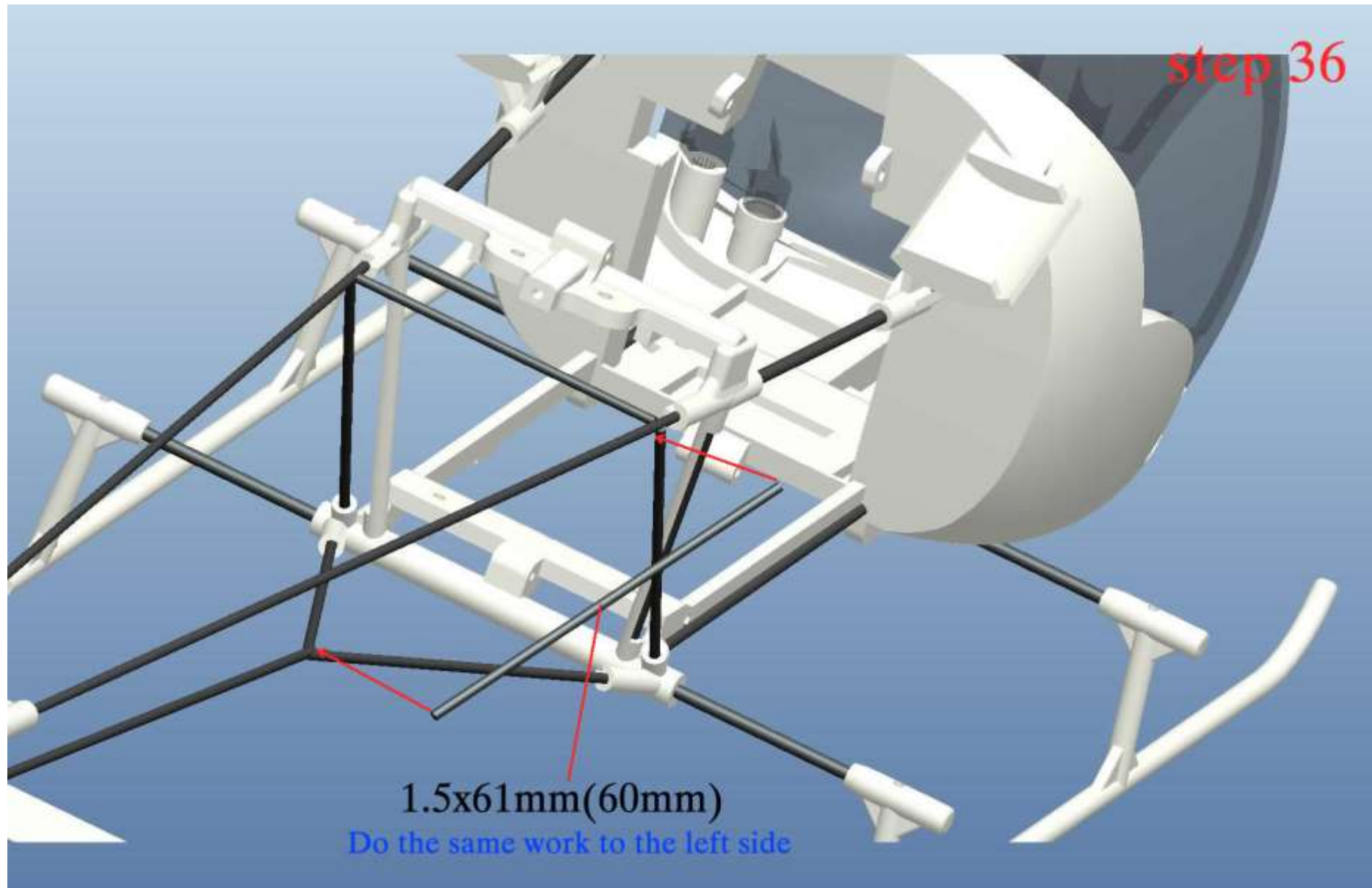


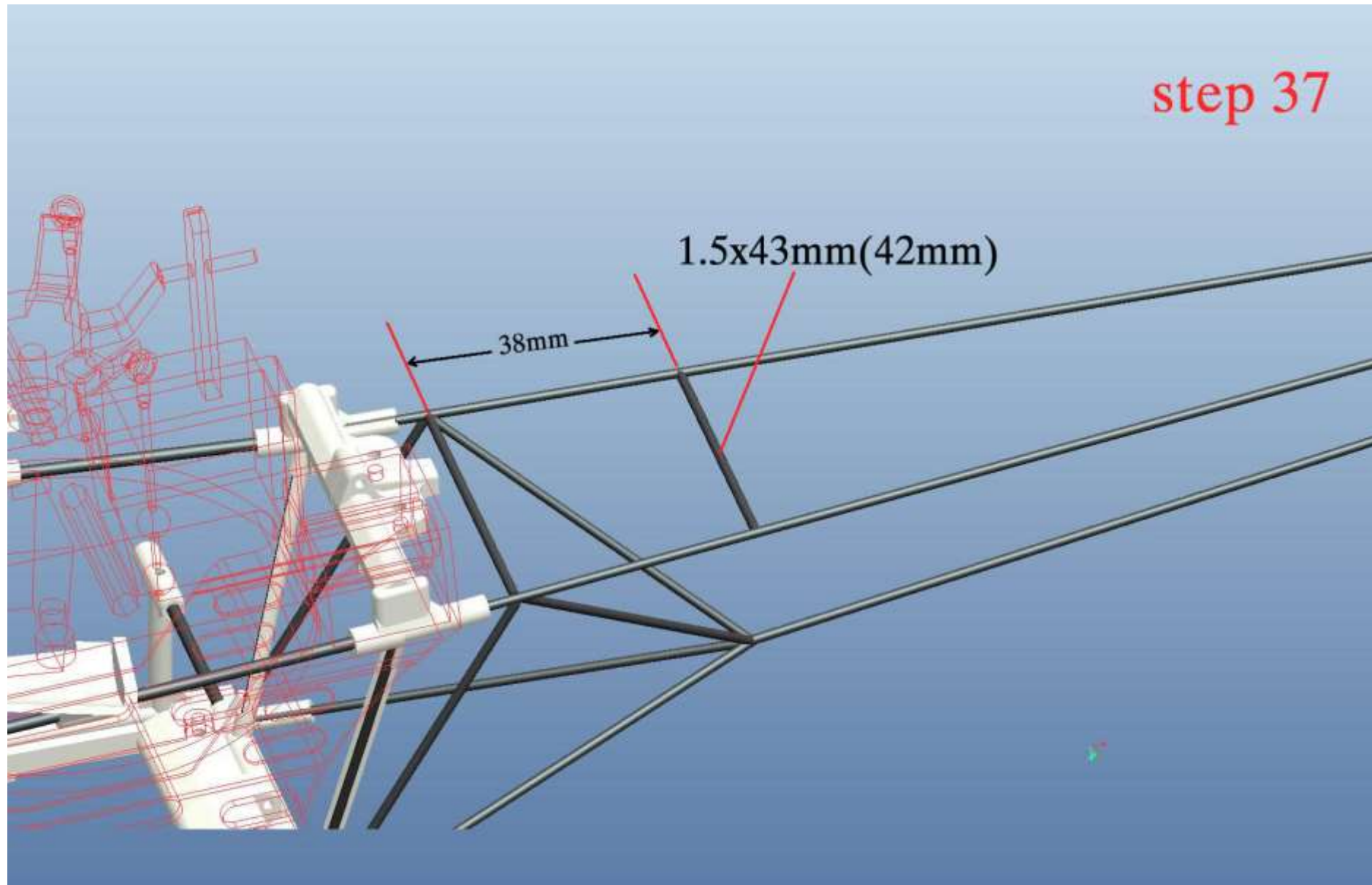


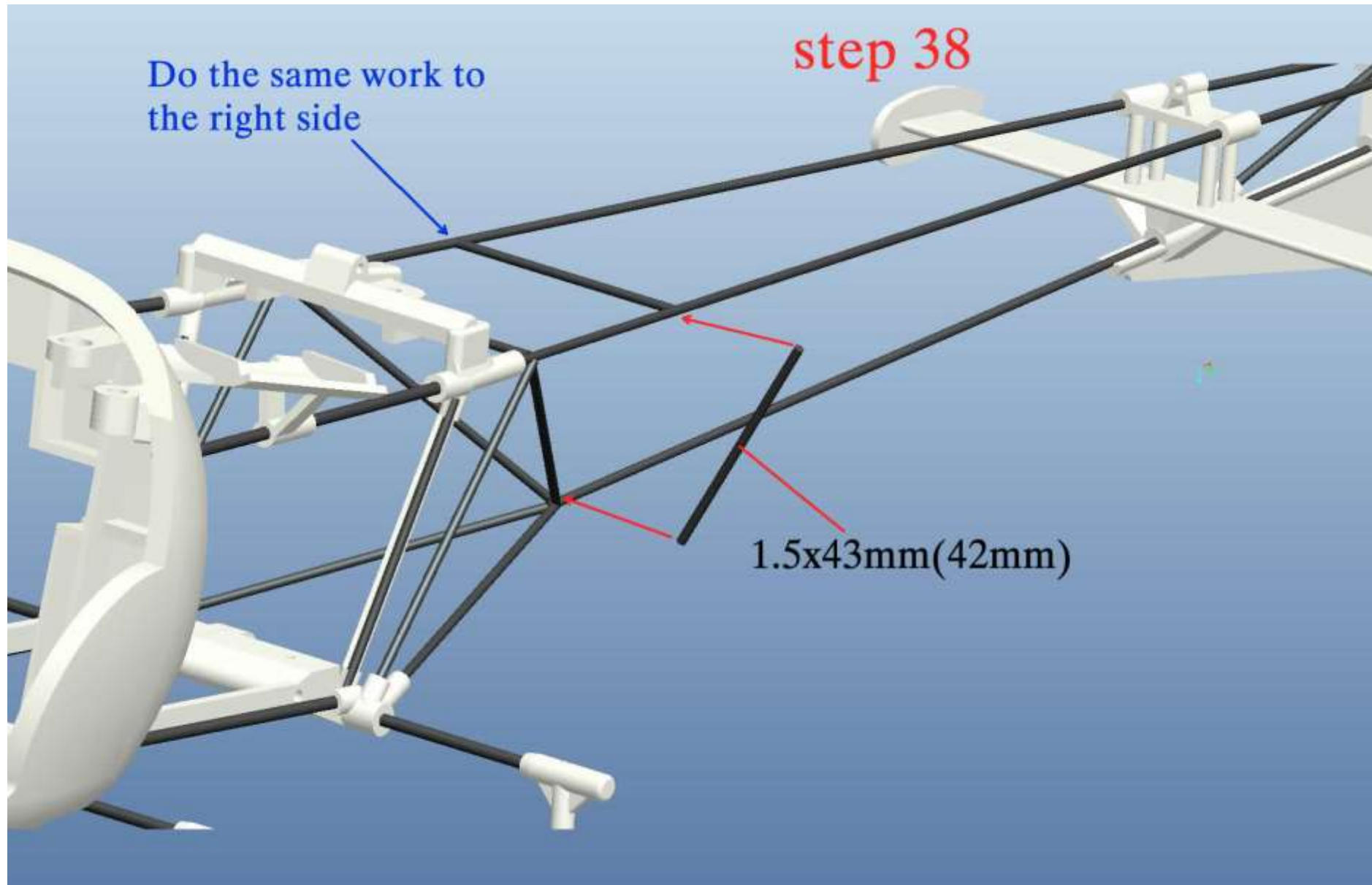


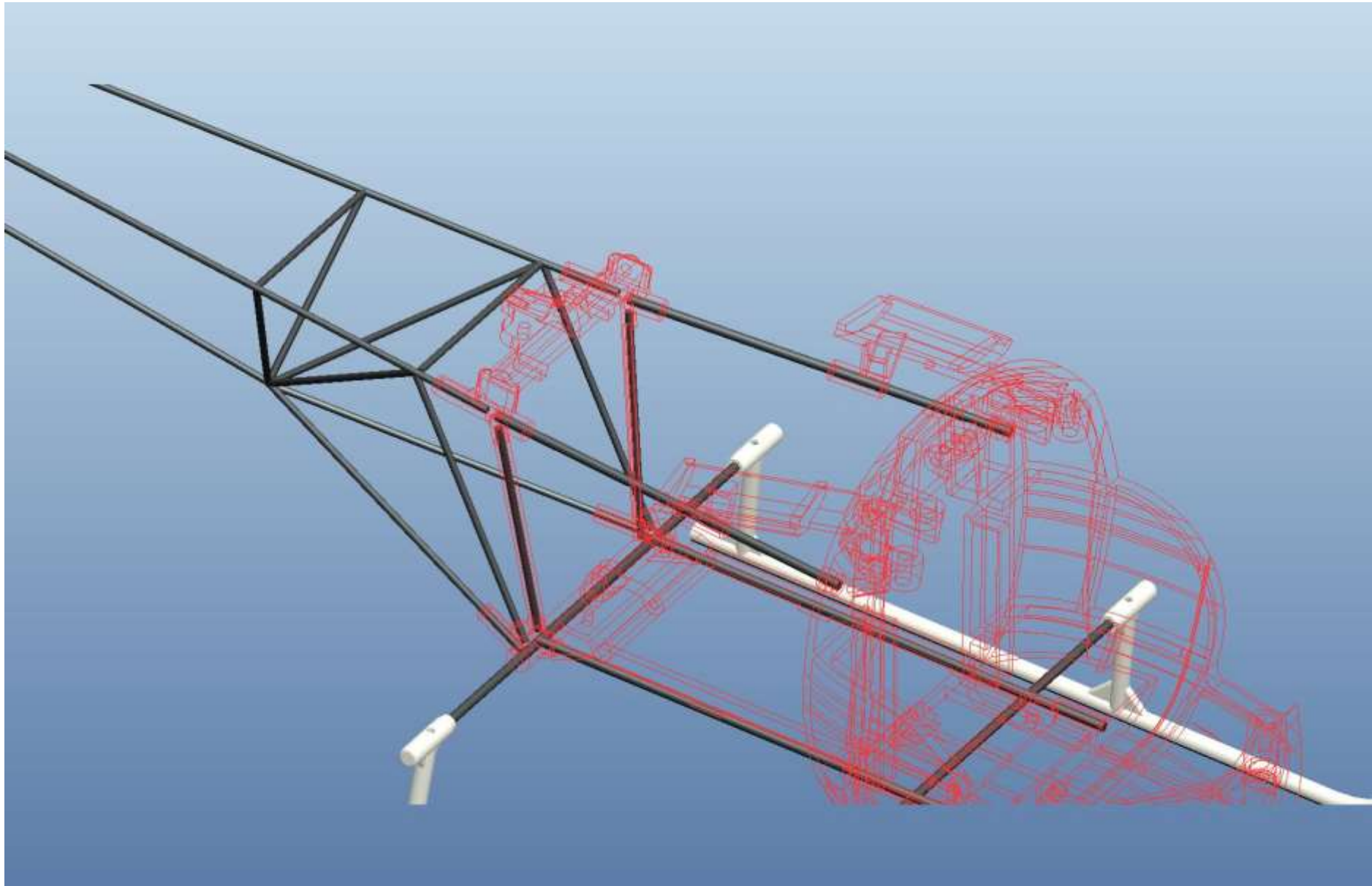


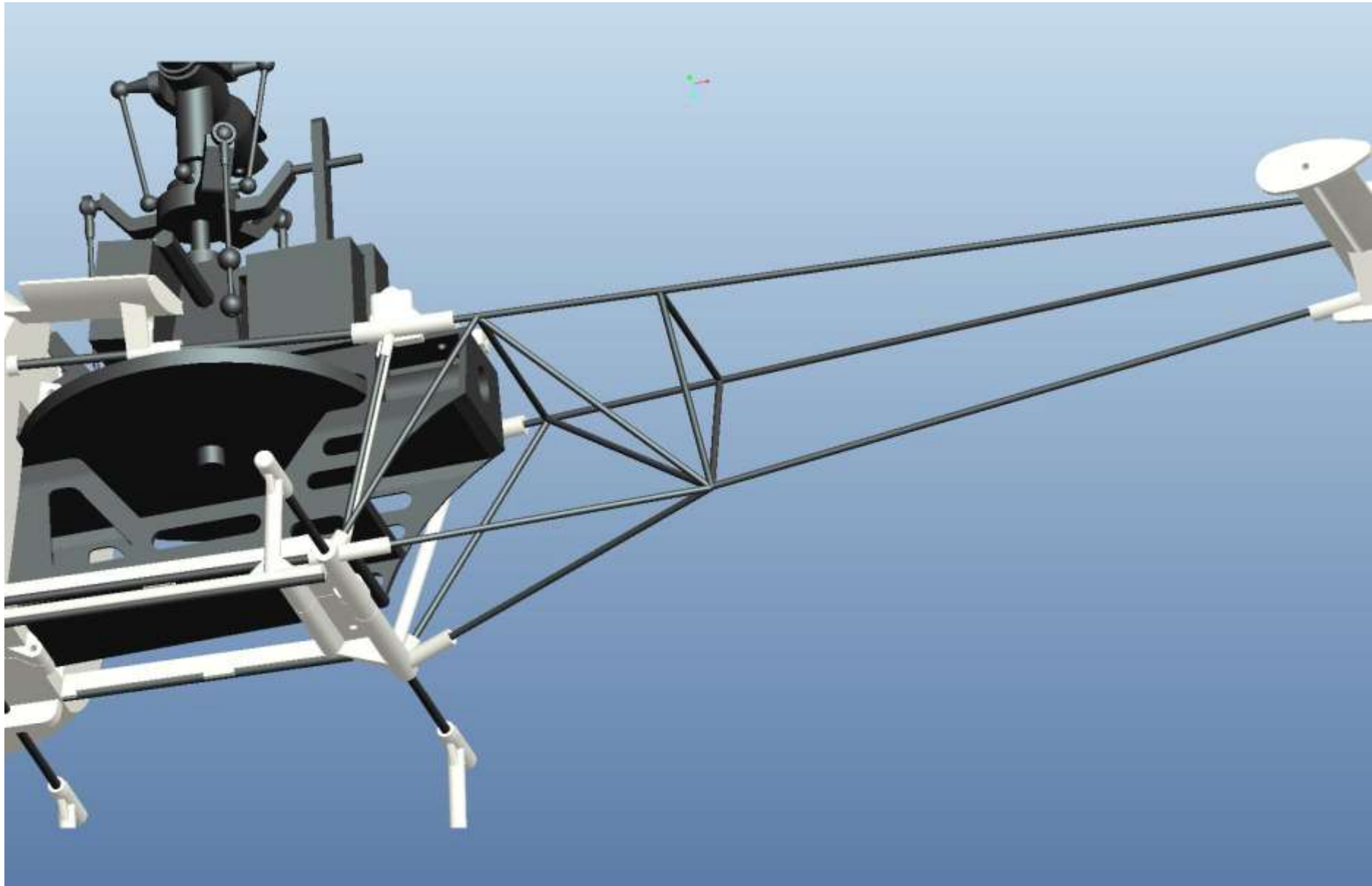


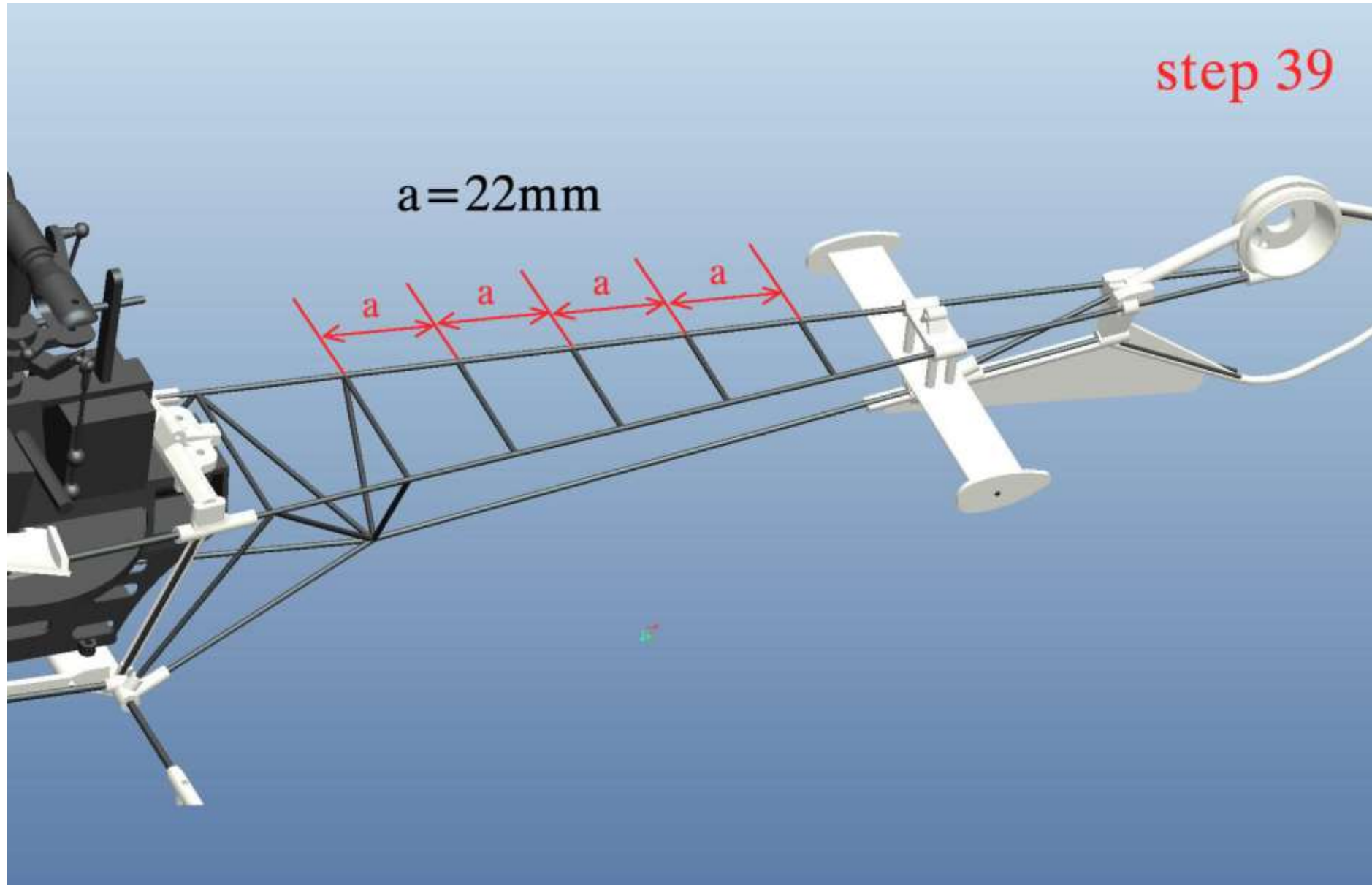




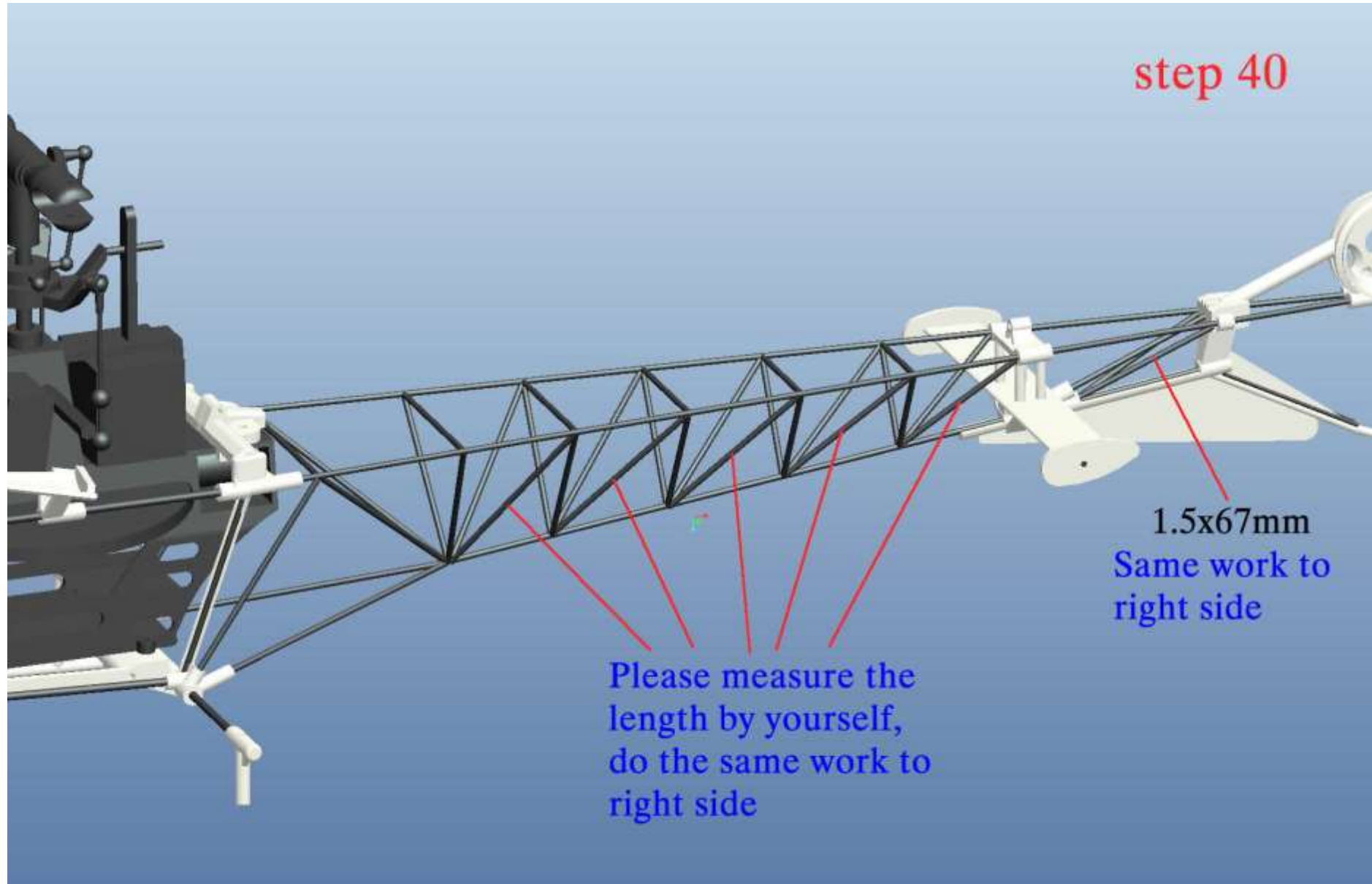


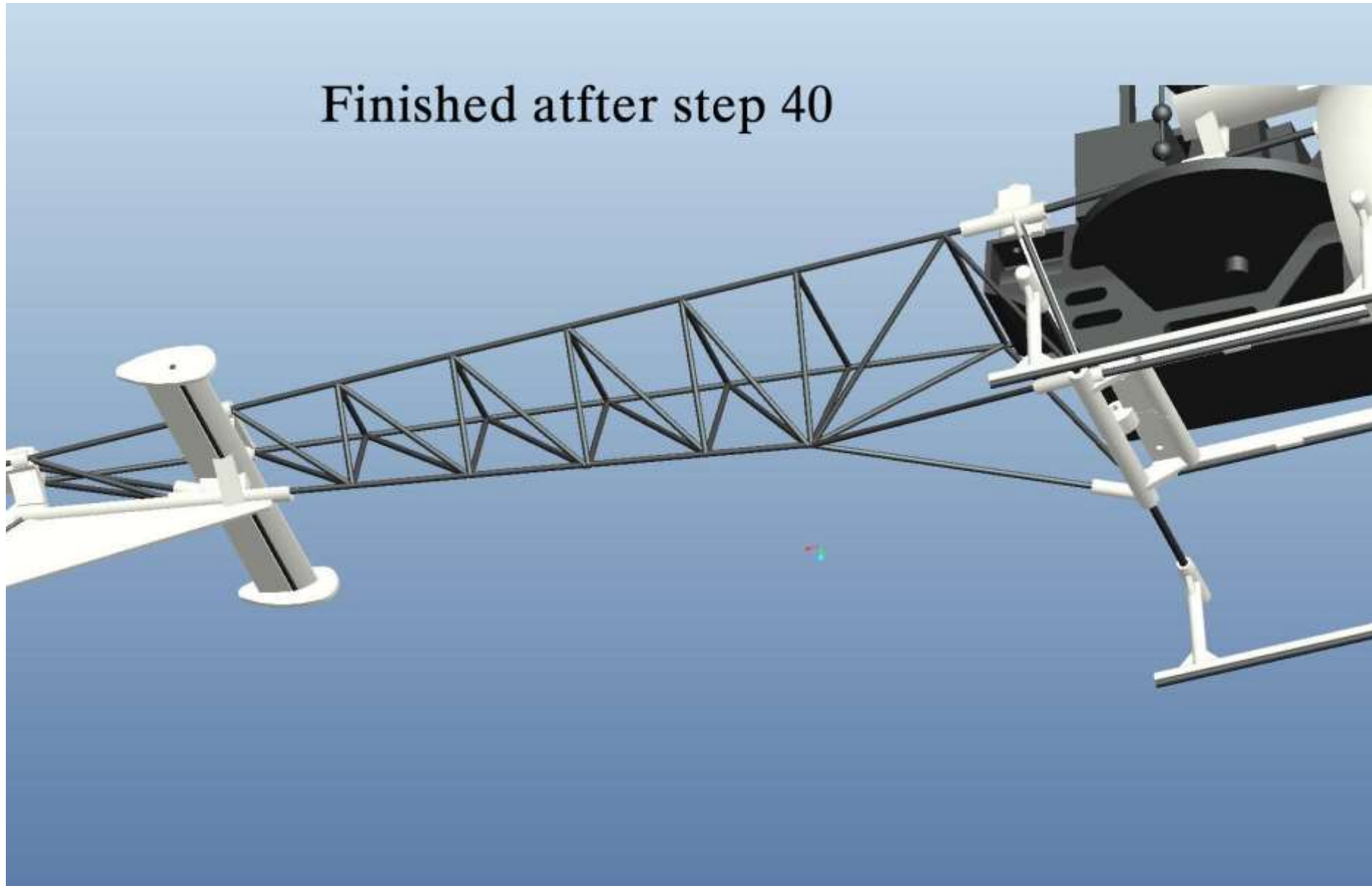


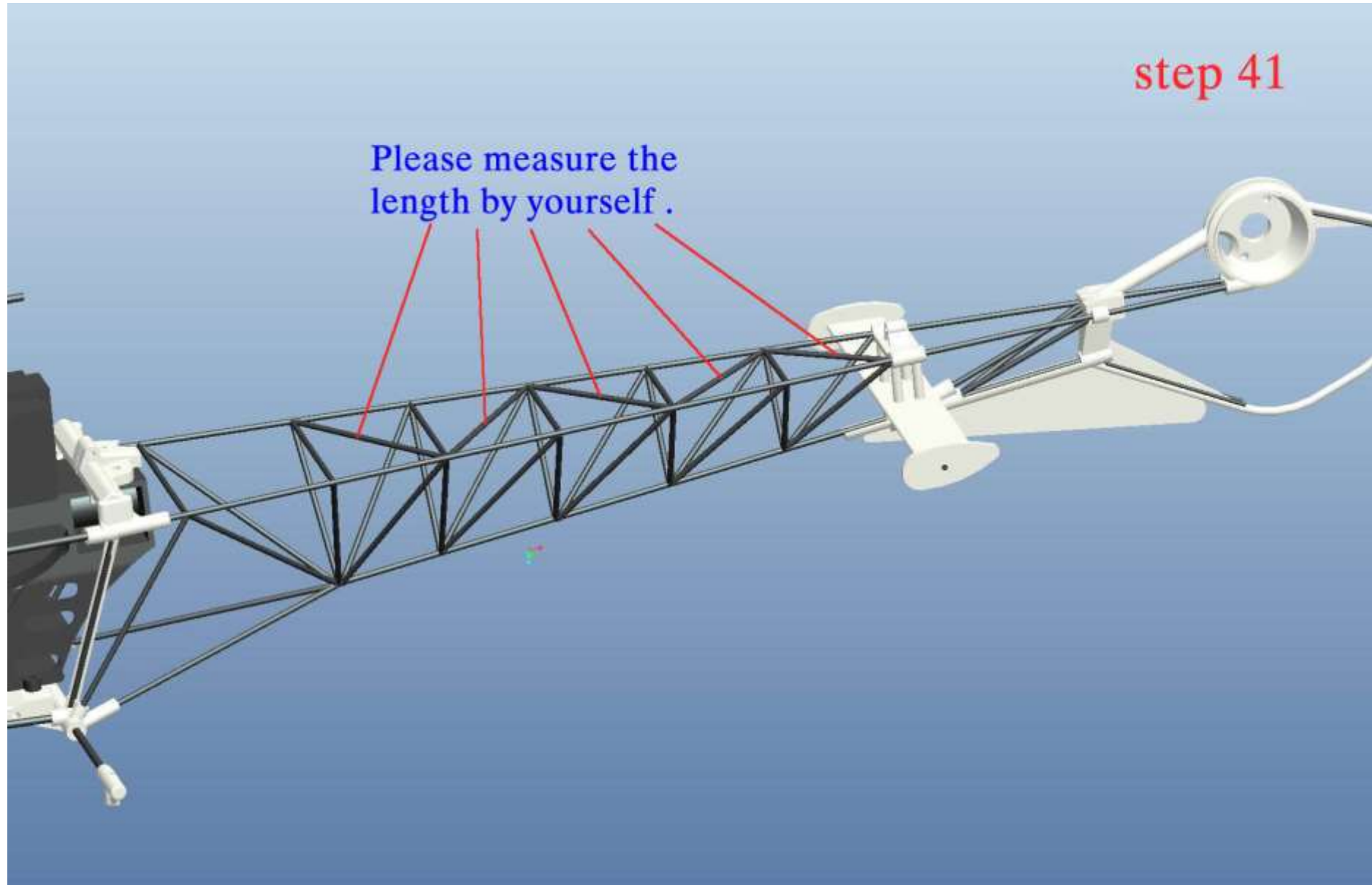




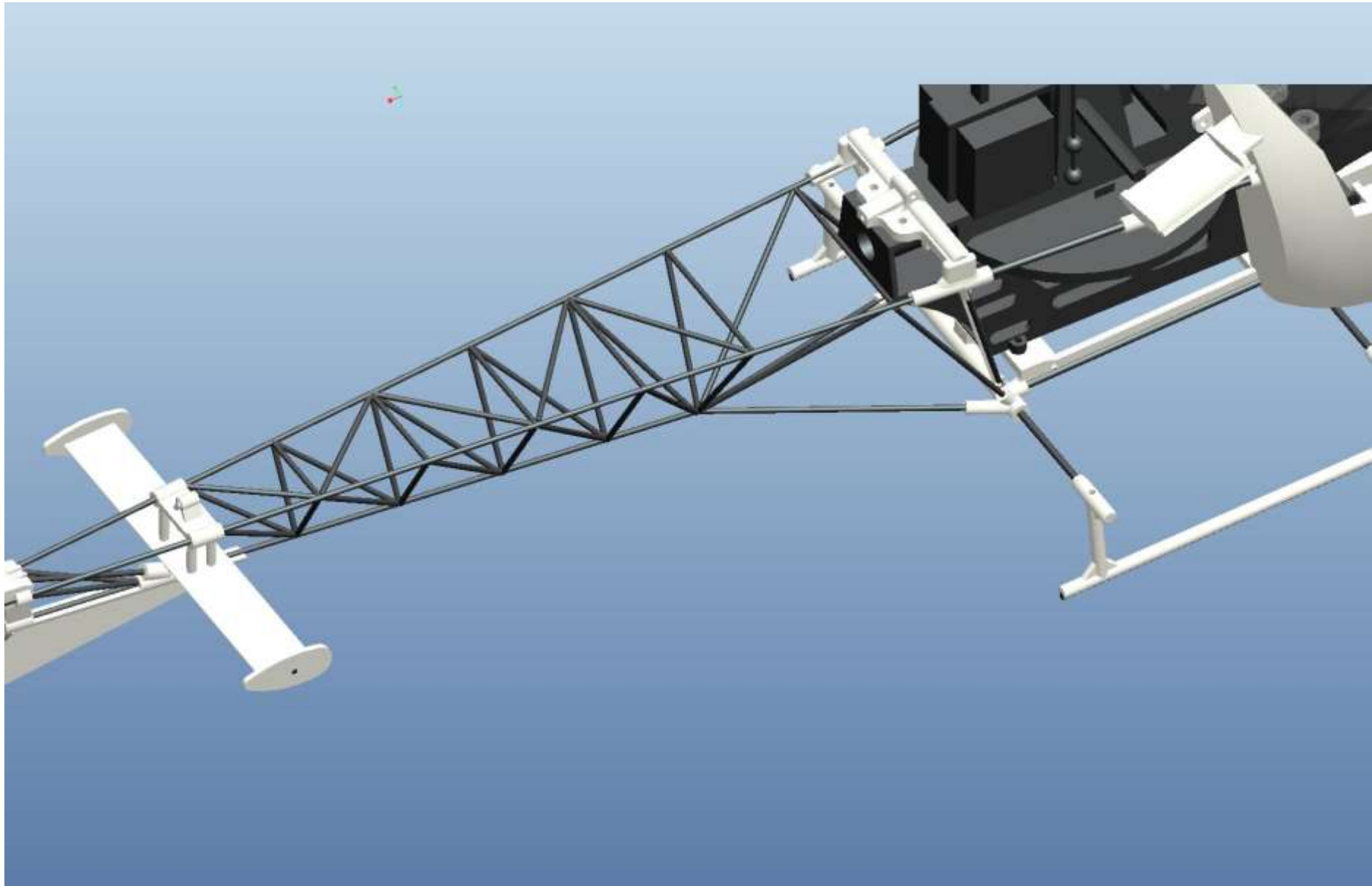






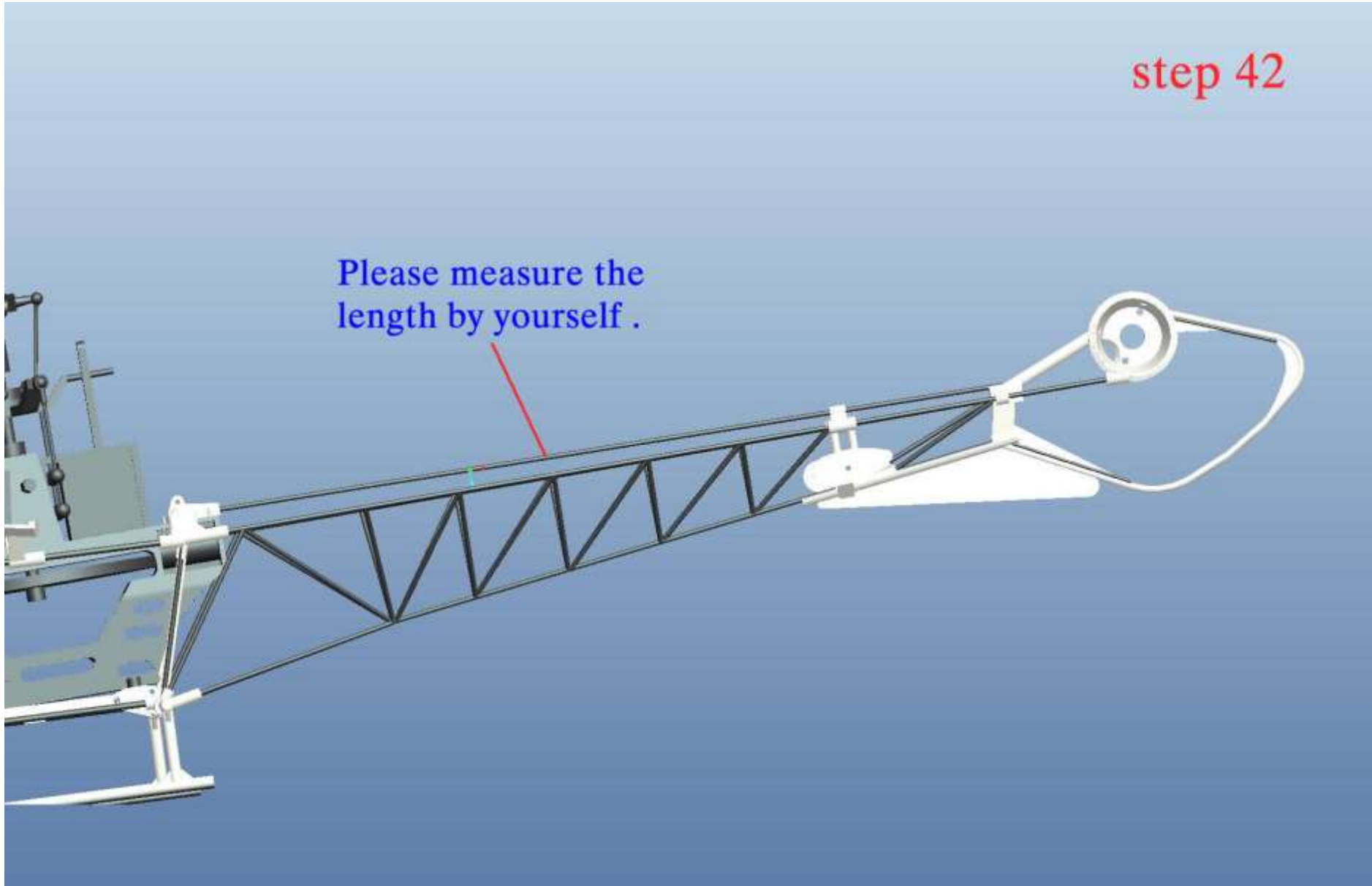


Bauanleitung K2B47 / Bell 47G 230er Größe für Blade 230S

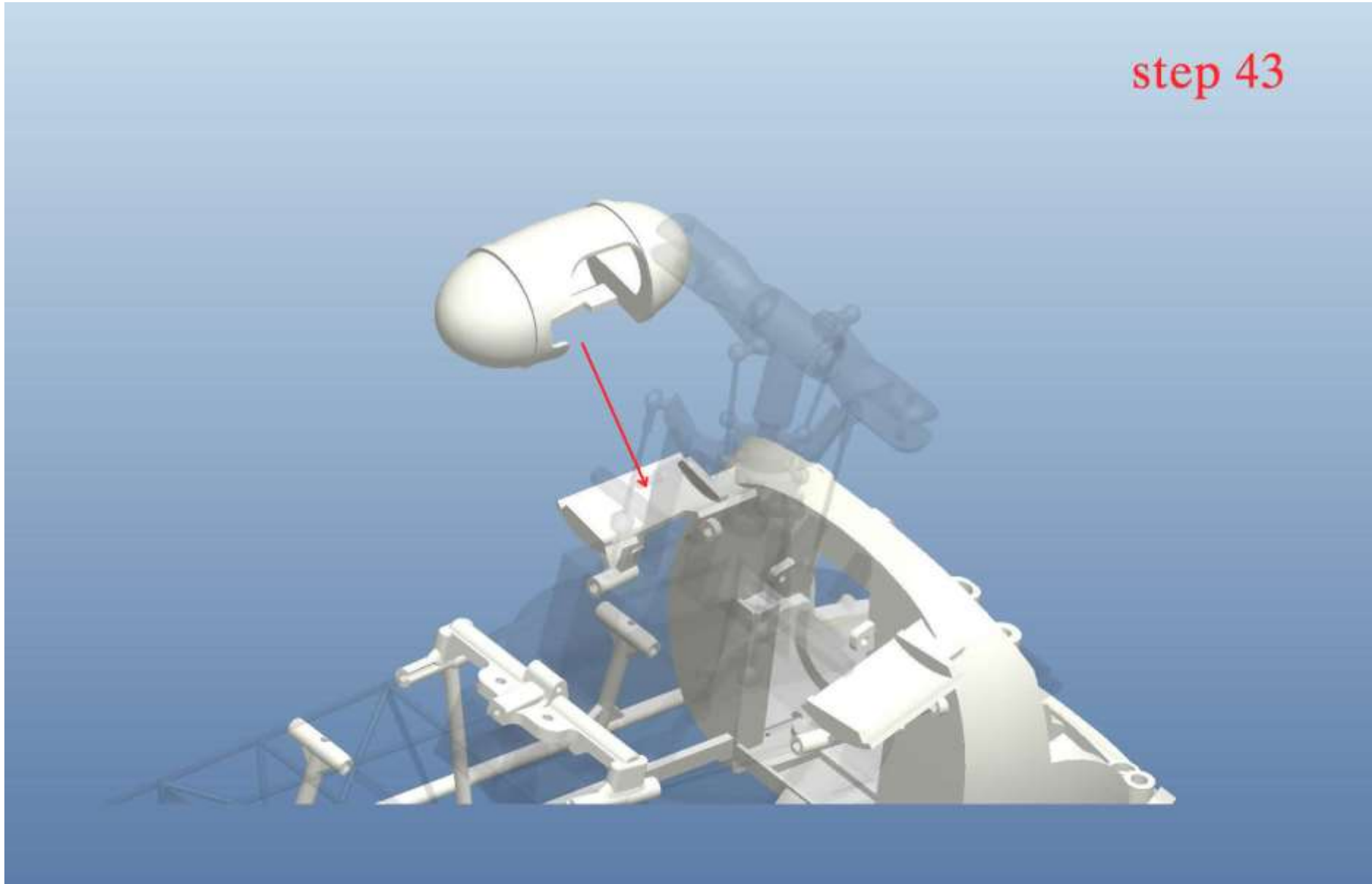


step 42

Please measure the length by yourself .



step 43



step 44

